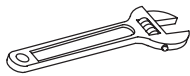


**YOUR STONE VESSEL SINK**

All vessel sinks do not have an overflow and may require a specific type of drain such as a pop-up, twist and turn or a grid drain assembly. Please check your local plumbing codes to determine which drain will meet local plumbing code standards for this product.

**BEFORE YOU BEGIN**

- Observe all local plumbing and building codes.
- Follow these instructions only if it apply to your installation. Vessel sinks allow you to be creative and flexible with your installation.
- Before installation, remove your new stone sink and carefully inspect it for damage. Return the stone sink to its packaging until you are ready to install it.
- These instructions contain important care and cleaning instructions. Please review these instructions carefully.

**SUGGESTED TOOLS AND MATERIALS**

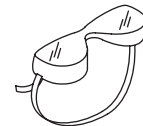
Adjustable Wrench



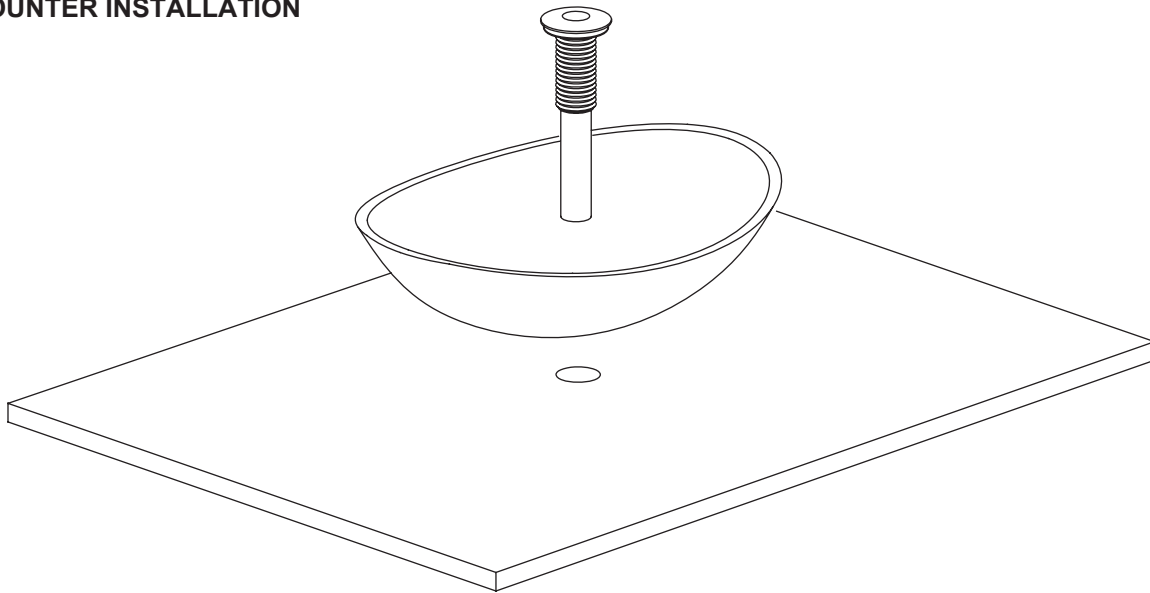
Channel Lock



Tape Measure



Safety Glasses

**ABOVE COUNTER INSTALLATION****STEP 1:**

Carefully, position the sink in the cutout opening.

**STEP 2:**

Use moderate force and hand-tighten the drain kit to the sink, to secure it on the counter-top.

**STEP 3:**

Install the faucet according to the manufacturer's instructions/manual.

**CARE INSTRUCTIONS**

To keep your new sink looking new, please follow these simple care instructions:

- Routine cleaning of the stone sink will reduce the need for heavy cleaning and polishing.
- Use a squeegee after each use to minimize soap scum.
- Never use strong / abrasive cleaner. Clean your stone sink with water and a soft, clean cloth. Do not use abrasive detergents or cleaning pads, which can damage the surface of the stone.
- Seal your stone sink before its first use and then regularly as warranted by use. Refer to the instructions on the stone sealer container for proper application.