

ICE MAKER



15-Inch Gourmet Ice Maker with Gravity Drain, Panel-Ready Door

Features

- Total daily ice production capacity: 55 lbs (50/70)
- Accepts 3/4" custom overlay panel to integrate into existing cabinetry (not included)
- Clear, gourmet-style ice cubes, perfect for a variety of beverages
- 26-lb bin storage capacity
- Wash mode for easy maintenance
- Ice scoop and 5/8" I.D. drain hose included
- Global - UL listed to the NSF-12 sanitation standard

Please note: Panel-ready appliances are designed to utilize custom panels to match your cabinetry. The panel-ready finish option does not include the pictured wood paneling.

Warranty

- One year parts and labor
- Five years sealed system parts
- See complete warranty for details



Model Details

| Model | Voltage | Door Swing | Finish |
|---------------|---------|-------------|------------------|
| AIMG152GPRIRH | 115V | Right Hinge | Panel-Ready Door |

Accessories

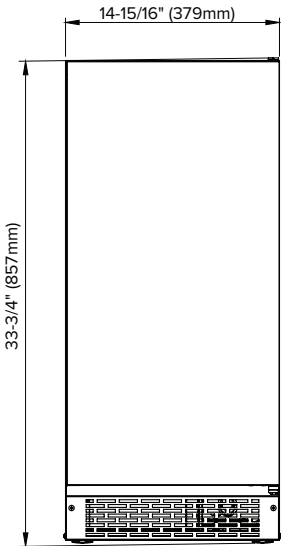
| Model | Description | Finish |
|----------|--|-----------------|
| HDLPRO | PRO Style Handle for Undercounter Models | Stainless Steel |
| AIMPUMP2 | Drain Pump Accessory | |

Ice Cube Details

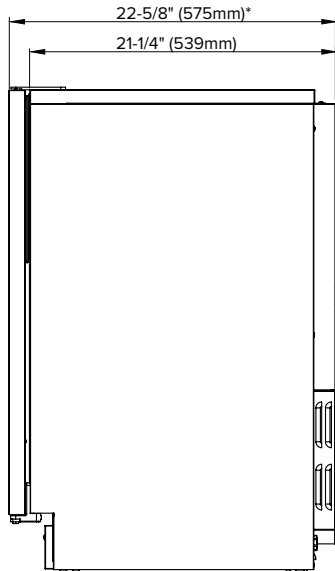
| Cube Type | Ice Cube Dimensions | Ice Shape |
|-----------|--------------------------------|-----------|
| Gourmet | 1-1/4" W x 1-3/8" L x 1-3/8" H | |



Front

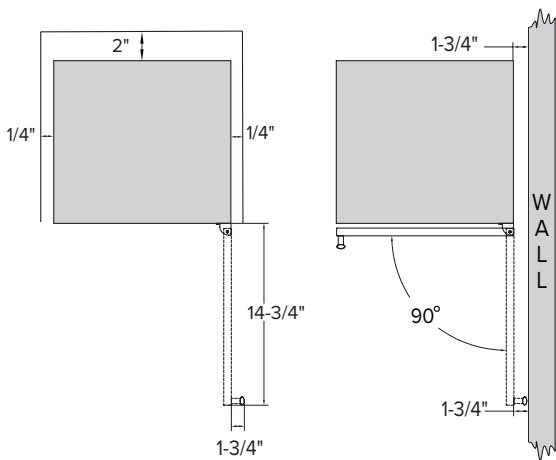


Side

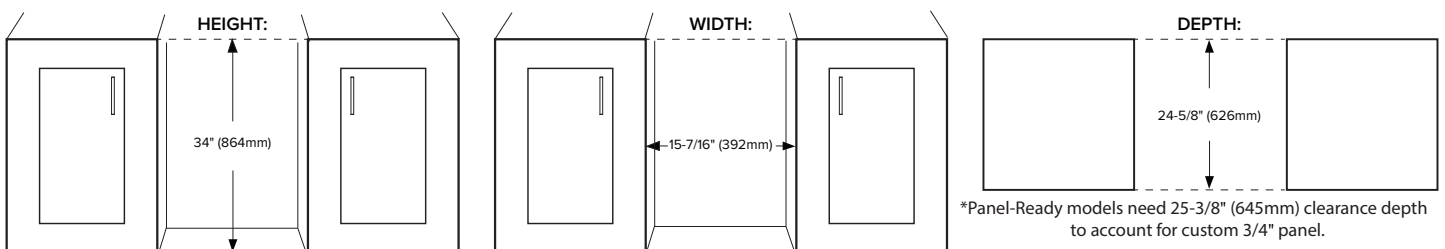


Please note: The depth does not include the depth of the custom panel.

Top



Cutout Dimensions



Installation Notes

1. Dimensions in parentheses are in millimeters.
2. Note: It is strongly advised to always use a water filter with your ice maker.

Specifications

| | |
|---------------------------------------|---------------|
| Model# | AIMG152GPRIRH |
| Daily Production Capacity (lbs/24hrs) | 55* |
| Storage Capacity (lbs) | 26 |
| Cube Type | Gourmet |
| Product Depth | 22-5/8" |
| Product Height | 33-3/4" |
| Product Width | 14-15/16" |
| Net Weight (lbs) | 104 |
| Water Inlet Size | 1/4" |
| Drain Inlet Size | 5/8" |
| Refrigerant | R600-a |
| Cord Length (in.) | 92" |
| Amperage | 4 |
| Electric Supply | 115V, 60 Hz |

*50° water/70° air temp under electric supply
(70° water/90° air temp = 46 lbs/day ice production)



NEMA 5-15P

Specifications are subject to change without notice.
Visit Avallon.com for the latest information.

Specification Sheet
 Model: AIMG152GPRILH
ICE MAKER



15-Inch Gourmet Ice Maker with Gravity Drain, Panel-Ready Door

Features

- Total daily ice production capacity: 55 lbs
- Accepts 3/4" custom overlay panel to integrate into existing cabinetry (not included)
- Clear, gourmet-style ice cubes, perfect for a variety of beverages
- 26-lb bin storage capacity
- Wash mode for easy maintenance
- Ice scoop and 5/8" I.D. drain hose included
- Global - UL listed to the NSF-12 sanitation standard

Please note: Panel-ready appliances are designed to utilize custom panels to match your cabinetry. The panel-ready finish option does not include the pictured wood paneling.

Warranty

- One year parts and labor
- Five years sealed system parts
- See complete warranty for details



Model Details

| Model | Voltage | Door Swing | Finish |
|---------------|---------|------------|------------------|
| AIMG152GPRILH | 115V | Left Hinge | Panel-Ready Door |

Accessories

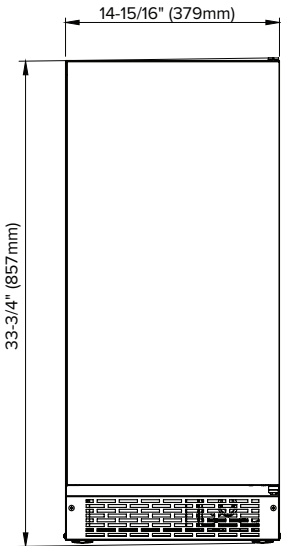
| Model | Description | Finish |
|----------|--|-----------------|
| HDLPRO | PRO Style Handle for Undercounter Models | Stainless Steel |
| AIMPUMP2 | Drain Pump Accessory | |

Ice Cube Details

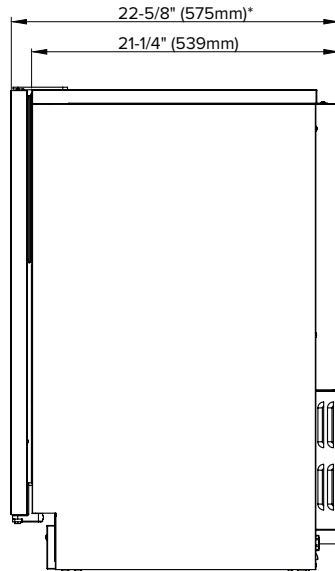
| Cube Type | Ice Cube Dimensions | Ice Shape |
|-----------|--------------------------------|-----------|
| Gourmet | 1-1/4" W x 1-3/8" L x 1-3/8" H | |



Front

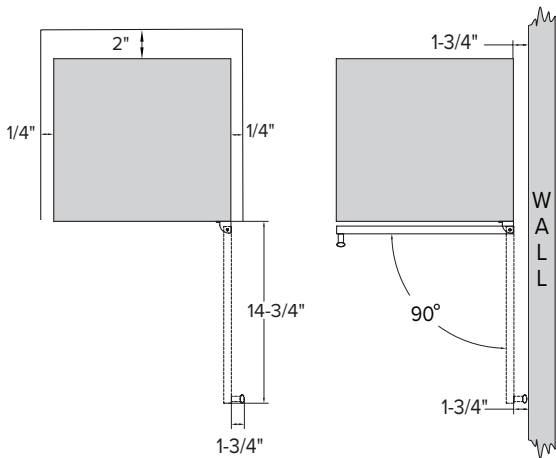


Side

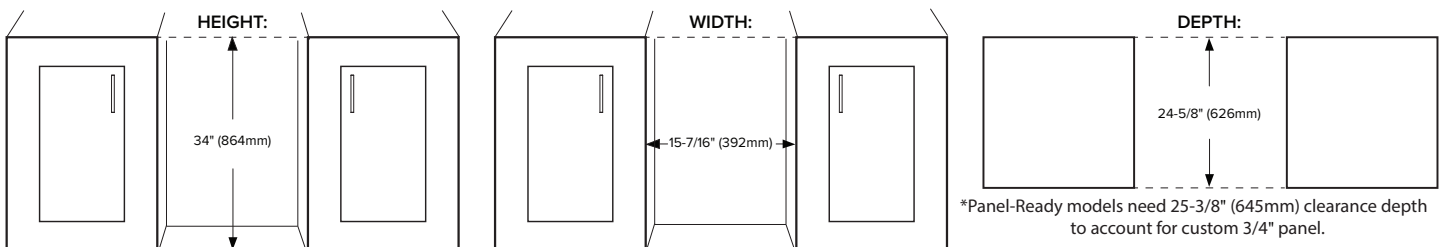


Please note: The depth does not include the depth of the custom panel.

Top



Cutout Dimensions



Installation Notes

1. Dimensions in parentheses are in millimeters.
2. Note: It is strongly advised to always use a water filter with your ice maker.

Specifications

| | |
|---------------------------------------|---------------|
| Model# | AIMG152GPRILH |
| Daily Production Capacity (lbs/24hrs) | 55* |
| Storage Capacity (lbs) | 26 |
| Cube Type | Gourmet |
| Product Depth | 22-5/8" |
| Product Height | 33-3/4" |
| Product Width | 14-15/16" |
| Net Weight (lbs) | 104 |
| Water Inlet Size | 1/4" |
| Drain Inlet Size | 5/8" |
| Refrigerant | R600-a |
| Cord Length (in.) | 92" |
| Amperage | 4 |
| Electric Supply | 115V, 60 Hz |

*50° water/70° air temp under electric supply
(70° water/90° air temp = 46 lbs/day ice production)



NEMA 5-15P

Specifications are subject to change without notice.
Visit Avallon.com for the latest information.