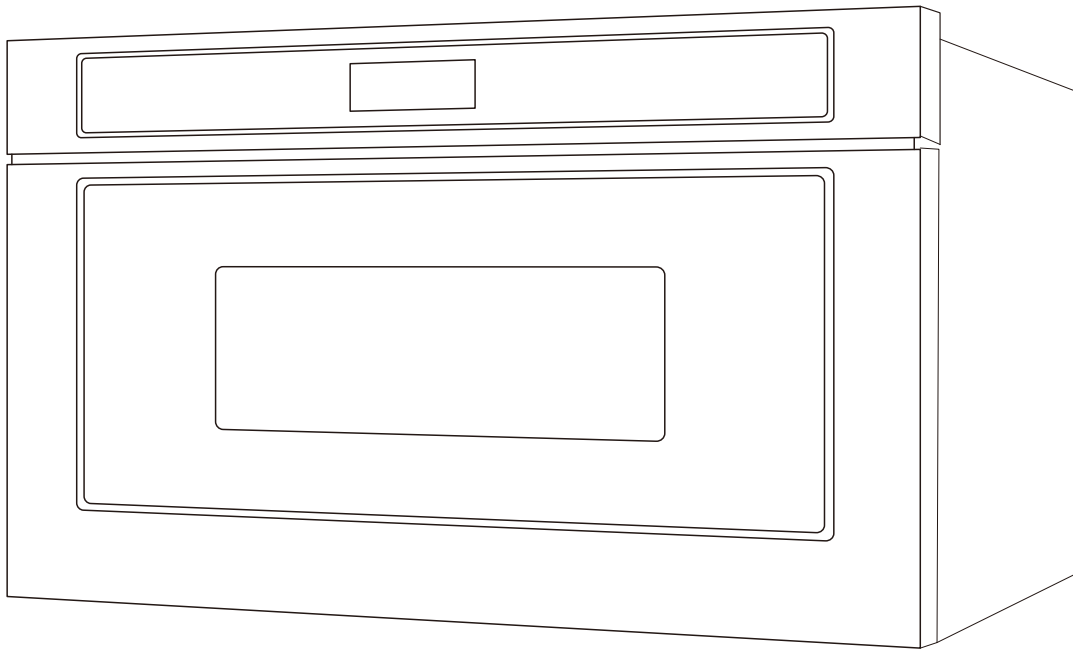


## Microwave Drawer

Models: ADM241SS; ADM241BS; ADM301SS



**Owner's Manual, Install Guide, Operation and Maintenance Manual**

Additional information if needed

## Important Safety Information

The following guidelines are intended to prevent damage and risk from unsafe or incorrect operation of the microwave. When unpacking the microwave, please make sure everything is intact. If anything is missing or damaged, please contact the retailer or dealer. Do not modify the microwave. This microwave is designed for domestic indoor use only. Do not use the unit for industrial or commercial use. Any other use may invalidate the warranty.

**IMPORTANT:** Save these instructions for the local electrical inspector's use.

**INSTALLER:** Please leave these instructions with this unit for the owner.

**OWNER:** Please retain these instructions for future reference.

### Microwave Safety

- Do not attempt to operate this oven with the door open. Open door operation can result in harmful exposure to microwave energy. Do not undo or tamper with the safety interlocks.
- Do not place any object between the front of the oven and the door or allow dirt and grime or cleaner residue to accumulate on sealing surfaces.
- Do not operate the oven if it is damaged. It is particularly important that the oven door close properly and that there is no damage to the:
  - DOOR (bent)
  - HINGES AND LATCHES (broken or loosened)
  - DOOR SEALS AND SEALING SURFACES
- Only properly qualified service personnel should work on this microwave oven.

### General Safety

**WARNING:** To reduce the risk of burns, electric shock, fire, injury to persons, or exposure to excessive microwave energy:

- Read all instructions before using the appliance.
- This appliance must be grounded. Connect only to a properly grounded outlet. See "Grounding Instructions."
- Install and locate this appliance in accordance with the provided installation instructions.
- Products such as whole eggs and sealed containers like closed glass jars can explode and should not be heated in this oven.
- Use this appliance only for its intended use as described in the manual. This type of oven is specifically designed to heat, cook, and dry food. It is not designed for industrial or laboratory use.
- Do not use corrosive chemicals or vapors in this appliance.
- **HOT CONTENTS CAN CAUSE SEVERE BURNS.** Use caution when removing hot items.
- **DO NOT ALLOW CHILDREN TO USE THE MICROWAVE.**
- Do not operate this appliance if it has a damaged cord or plug, if it is not working properly, or if it has been damaged or dropped.
- This appliance should be serviced only by qualified service personnel. Contact the nearest, authorized service facility for examination, repair, or adjustment.

- Do not cover or block any openings on the appliance.
- Do not store this appliance outdoors.
- Do not use this product near water - for example, near a kitchen sink, in a wet basement, near a swimming pool, or similar location.
- Do not immerse cord or plug in water. Keep cord away from heated surfaces. Do not let the cord hang over the edge of table or counter.
- When cleaning the door and oven surfaces that come into contact when closing the door, use only mild and nonabrasive soaps or detergent applied with a sponge or soft cloth.
- To reduce the risk of fire in the oven cavity:
  - Do not overcook food.
  - Pay attention when paper, plastic, or other combustible materials are placed inside the oven to facilitate cooking.
  - Remove wire twist-ties from paper and plastic bags before placing in oven.
  - If material inside of the oven ignites, keep the oven door closed, turn the oven off, and disconnect the power cord or shut off power at the fuse or circuit breaker panel.
  - Do not use the cavity for storage purposes. Do not leave paper products, cooking utensils, or food in the cavity when not in use.
- Liquids, such as water, coffee, or tea are able to be overheated beyond the boiling point without appearing to be boiling. Visible bubbling or boiling when the container is removed from the microwave oven is not always present. **THIS COULD RESULT IN VERY HOT LIQUID SUDDENLY BOILING OVER WHEN THE CONTAINER IS DISTURBED OR A UTENSIL IS INSERTED INTO THE LIQUID.**

To reduce the risk of injury to persons:

  - Do not overheat the liquid.
  - Stir the liquid both before and halfway through heating it.
  - Do not use straight-sided containers with narrow necks.
  - After heating, allow the container to stand in the microwave oven for a short time before removing the container.
  - Use extreme care when inserting a spoon or other utensil into the container.
- Do not operate any heating or cooking appliance beneath the appliance OR mount unit over or near any portion of a heating or cooking appliance. (Exception: A microwave oven investigated for use above another heating appliance.)
- Do not mount over a sink.
- Do not store anything directly on top of the appliance surface when the appliance is in operation.
- Do not cover racks or any other part of the oven with metal foil. This will cause overheating of the oven.

# Table of Contents

|   |    |
|---|----|
| Important Safety Information.....               | 2  |
| First-Time Operating Instructions .....         | 5  |
| Introduction.....                               | 5  |
| Parts Identification .....                      | 6  |
| Product Installation .....                      | 7  |
| Unpacking Your Microwave Drawer .....           | 7  |
| Electrical Supply.....                          | 8  |
| Location.....                                   | 8  |
| Product Clearances And Dimensions .....         | 9  |
| Drawer Installation .....                       | 10 |
| Anti-Tip Block .....                            | 10 |
| Grounding Instructions.....                     | 11 |
| Radio Interference.....                         | 12 |
| Materials That Can Be Used In A Microwave ..... | 13 |
| Materials To Be Avoided In A Microwave .....    | 13 |
| Operation .....                                 | 14 |
| Using the Control Panel.....                    | 14 |
| Microwave Cooking .....                         | 15 |
| Auto Menu .....                                 | 16 |
| Cleaning.....                                   | 20 |
| Troubleshooting.....                            | 21 |
| Specifications .....                            | 22 |
| Product Warranty.....                           | 23 |

# First-Time Operating Instructions

Before use, make sure all packaging labels and materials are removed from the unit. Be sure to keep track of all included parts and pieces before discarding the packaging materials. It is advised that you keep the original box and packaging materials in case you ever need to move or ship the appliance in the future.

## Introduction

Thank you for purchasing this Avallon microwave . We hope that this purchase will be the beginning of a lasting and rewarding relationship between you and Avallon. We will provide the customer support and exemplary products necessary to nurture that relationship.

This manual contains important information regarding the proper installation, use, and maintenance of your microwave. Following this manual will ensure that your product will work at its peak performance and efficiency.

Please save the original product packaging in case you need to safely transport your microwave.

For Your Records:

Please write down the model number and serial number below for future reference. Both numbers are located on the ratings label on the inside and back of your unit and are needed to obtain warranty service. You may also want to staple your receipt to this manual as it is the proof of your purchase, and is also needed for service under your warranty.

Model Number: \_\_\_\_\_

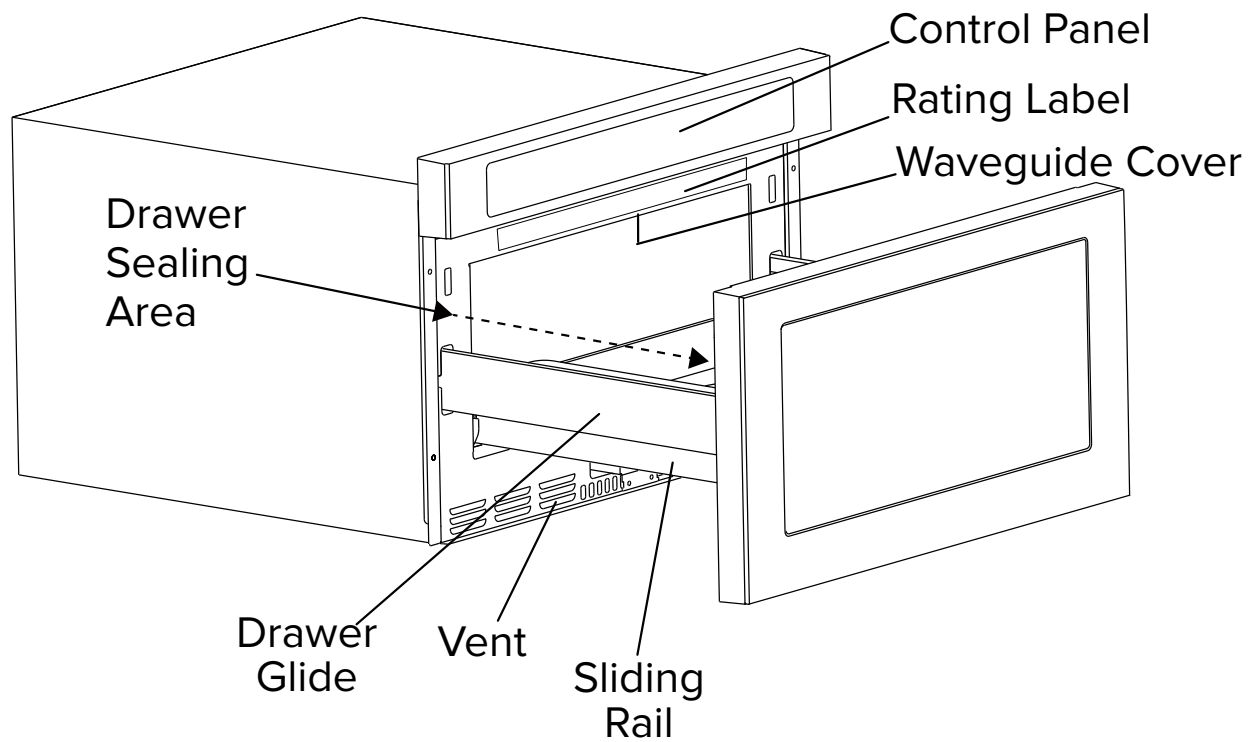
Serial Number: \_\_\_\_\_

Date of Purchase: \_\_\_\_\_

For a more efficient experience, please do the following before contacting customer service:

- If you received a damaged product, immediately contact the retailer or dealer that sold you the product.
- Read and follow this instruction manual carefully to help you install, use, and maintain your microwave.
- Read the troubleshooting section of this manual as it will help you diagnose and solve common issues.
- Visit us on the web at [www.avallon.com](http://www.avallon.com) to register your product, download product guides, and access additional troubleshooting resources and up-to-date information.
- If you need warranty service, customer service representatives are available via email at [service@avallon.com](mailto:service@avallon.com).

## Parts Identification



## Product Installation

**WARNING:**

INSTALLATION AND SERVICE MUST BE PERFORMED BY A QUALIFIED INSTALLER.

For SAFETY CONSIDERATIONS, do not install the drawer in any combustible cabinetry which is not in accord with the stated and necessary clearances and dimensions. See **Product Dimensions**.

### Unpacking Your Microwave Drawer

- Remove all packing materials from inside the microwave drawer.  
DO NOT REMOVE THE WAVEGUIDE COVER, which is located on the top of the microwave drawer.
- Remove the feature sticker, if there is one.
- Check the drawer for any damage, such as misaligned or bent drawers, damaged drawer seals or sealing surfaces, broken or loose microwave drawer guides, and dents inside the cavity or on the front side of the drawer. If there is any damage, do not operate the microwave drawer and contact your dealer.

### Important Notes For The Installer

- Read all of the installation manual before installing the microwave drawer.
- Remove all packing material before connecting the electrical supply.
- Observe all governing codes and ordinances.
- Be sure to leave these instructions with the consumer.

### Important Notes To The Consumer

- Keep this manual with your Operation Manual for future reference.
- As when using any microwave oven generating heat, there are certain safety precautions you should follow. These are listed in the Operation Manual. Read all and follow carefully.
- Be sure your microwave drawer is installed and grounded properly by a qualified installer or service technician.



### Installation Safety Instructions

**WARNING:**

If the information in this manual is not followed exactly, a fire or electrical shock may result that could cause property damage, personal injury, or death.

To reduce the risk of tipping, the Microwave Drawer must be secured by a properly installed Anti-Tip Block.

This Microwave Drawer must be electrically grounded in accordance with local codes.

Make sure the wall coverings and the cabinets around the Microwave Drawer can withstand the heat generated by the Microwave Drawer.

**WARNING:**

Never leave children alone or unattended in the area where a Microwave Drawer is in use.

Never leave the drawer open when the microwave is unattended.

Stepping, leaning, or sitting on the drawer may result in serious injuries and can also cause damage to the Microwave Drawer.

Do not use the Microwave Drawer as a storage space. This creates a potentially hazardous situation.

Check that the display panel shows time-of-day. If not, touch Stop/Clear to prevent unintended use.

## Electrical Supply

- Check the location where the microwave drawer will be installed for proper electrical supply.
- An electrical outlet can be installed in the shaded area in the upper left-hand corner shown in the Product Dimensions drawing on the following page.
- The microwave can also be powered using an electrical outlet in an adjacent cabinet. Ensure the electrical cord is long enough. The power cord access hole in the cabinet should have a minimum diameter of 1-1/2" and be deburred of all sharp edges.
- It is recommended that a separate circuit serving only the microwave be used.
- The microwave drawer comes with a three-prong grounding plug that must be plugged into a properly installed and grounded three-prong outlet. If you have any questions about the grounding or electrical instructions, please contact a qualified electrician or service person.
- Always follow local code requirements.

**NOTE:**

Make sure the power cord reaches the outlet and there is no tension on the power cord.

**WARNING:**

Improper use of the grounding plug can result in a risk of electric shock. **Do not use an extension cord.** If the power supply cord is too short, have a qualified electrician or service person install an outlet near the appliance.

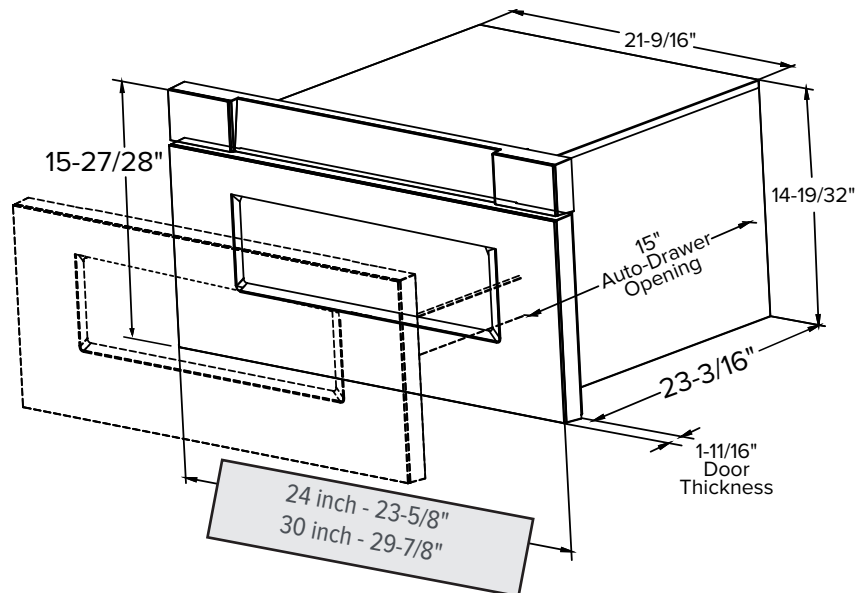
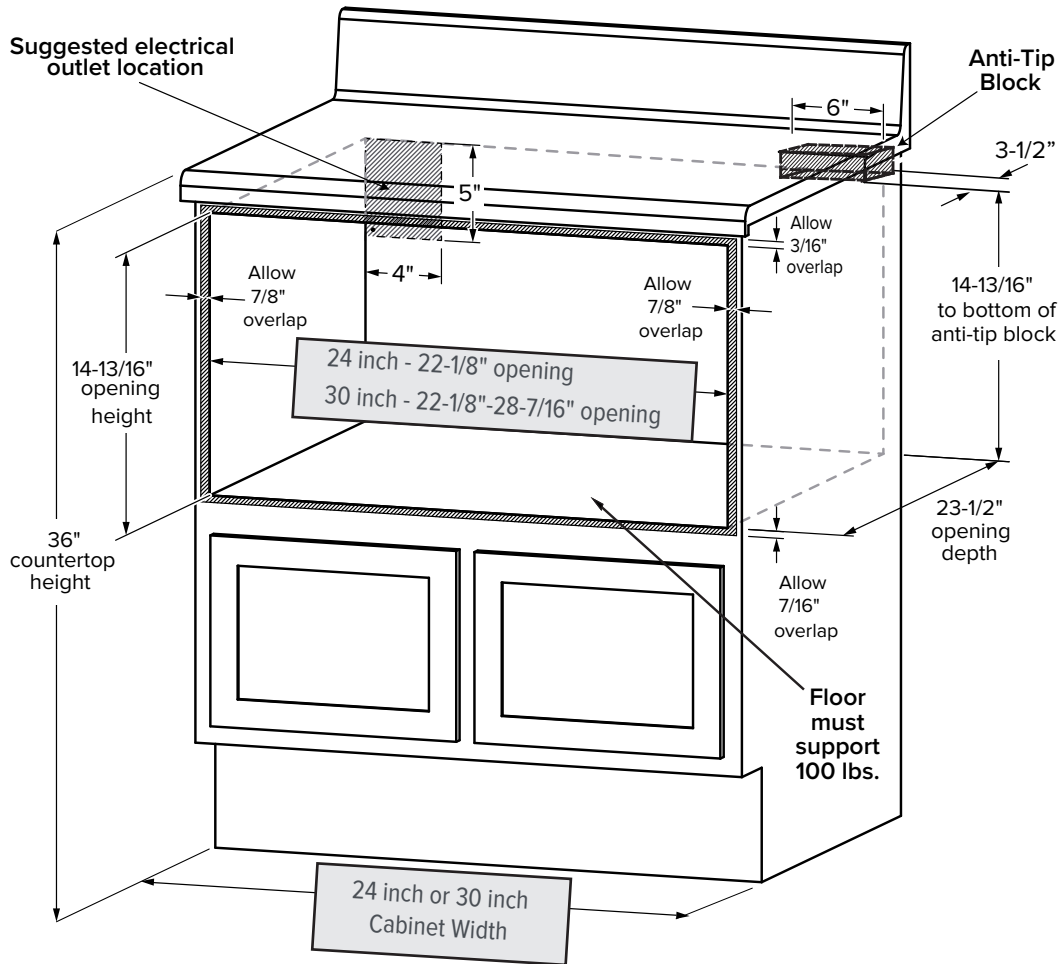
## Location

- Your microwave can be built into a cabinet or wall by itself, or installed under a gas or electric wall oven.
  - Be sure that the clearance of the floor between the wall oven and the microwave drawer is a minimum of 2".
- Contact surfaces must be solid and level. Pay special attention to the floor on which the microwave drawer will sit. The floor of the opening should be constructed of plywood strong enough to support the weight of the oven (about 100 pounds).

## Product Dimensions

Dimensions shown in the following figures must be used. Given dimensions provide minimum clearance.

**ALL DIMENSIONS SHOWN APPLY TO BOTH 24" AND 30" WIDE MODELS, EXCEPT FOR THE SPECIFIC MEASUREMENTS CALLED OUT IN THE GRAY BOXES.**

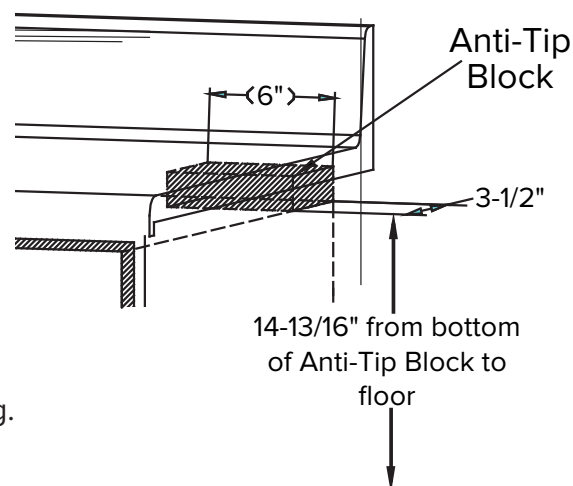


## Product Clearances And Dimensions

### Anti-Tip Block

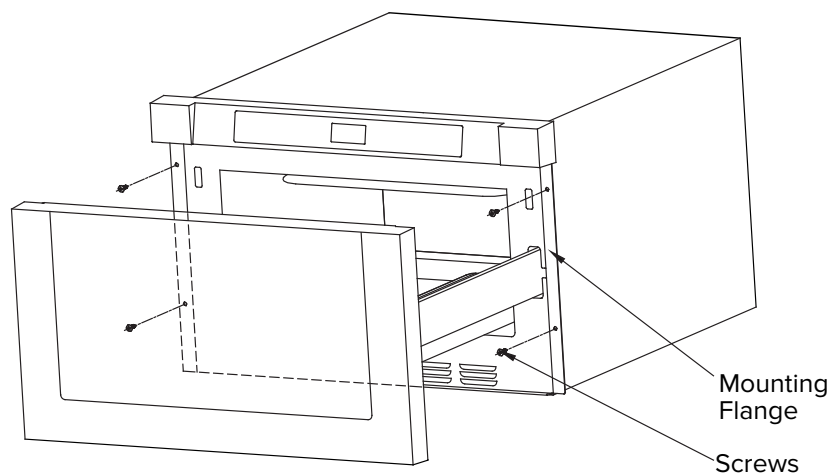
The Anti-Tip Block prevents serious injury that might result from spilled hot liquids. If the microwave drawer is ever moved to a different location, the Anti-Tip Block must also be moved and installed.

- A six-inch Anti-TipBlock must be provided by the installer.
- To reduce the risk of tipping the drawer over, an Anti-Tip Block must be installed 14-13/16" above the floor on which the microwave drawer will sit.
- When installed to the wall, make sure that the screws completely penetrate the dry wall and are secured in wood or metal so that the block is stable. When fastening, be sure that the screws do not penetrate electrical wiring or plumbing.



### Drawer Installation

1. Place the drawer adjacent to the wall or cabinet opening.
2. Plug the power supply cord into the electrical outlet.
3. Carefully guide the drawer into the prepared opening. Avoid pinching the cord between the oven and the wall.
4. Slide the drawer all the way until the mounting flange is flush with the face of the cabinet.
5. Open the drawer. Using the four (4) holes on the drawer as a template, pre-drill the cabinet using a 1/16" bit.
6. Secure the drawer with the four (4) supplied screws.



## Grounding Instructions

This appliance must be grounded. In the event of an electrical short circuit, grounding reduces the risk of electric shock by providing an escape wire for the electric current. This appliance is equipped with a cord having a grounding wire with a grounding plug. The plug must be plugged into an outlet that is properly installed and grounded.



### **WARNING:**

Improper use of the grounding can result in a risk of electric shock. Consult a qualified electrician or serviceman if the grounding instructions are not completely understood, or if doubt exists as to whether the appliance is properly grounded. If it is necessary to use an extension cord, use only a 3-wire extension cord that has a 3-prong grounded plug, and 3-slot receptacle that will accept the plug on the appliance. The marked rating of the extension cord shall be equal to or greater than the electrical rating of the appliance.



### **DANGER:**

Electric Shock Hazard. Touching some of the internal components can cause serious personal injury or death. Do not disassemble this appliance.



### **WARNING:**

Electric Shock Hazard

Improper grounding can result in electric shock. Do not plug into an outlet until appliance is properly installed and grounded.

- A short power-supply cord is provided to reduce the risks resulting from becoming entangled in or tripping over a longer cord.

## Radio Interference

Operation of the microwave oven may cause interference to your radio, TV, or similar equipment.

- When there is interference, it may be reduced or eliminated by taking the following measures:
  - Clean the door and sealing surface of the oven
  - Reorient the receiving antenna of radio or television.
  - Relocate the microwave oven with respect to the receiver.
  - Move the microwave oven away from the receiver.
  - Plug the microwave oven into a different outlet so that microwave oven and receiver are on different branch circuits.
- This equipment generates, uses and can radiate radio frequency energy and, if not installed and used in accordance with the instructions, may cause harmful interference to radio communications. However, there is no guarantee that interference will not occur in a particular installation. If this equipment does cause harmful interference to radio or television reception, which can be determined by turning the equipment off and on, the user is encouraged to try to correct the interference by one or more of the following measures:
  - Reorient or relocate the receiving antenna.
  - Increase the separation between the equipment and receiver.
  - Connect the equipment into an outlet on a circuit different from that to which the receiver is connected.
  - Consult the dealer or an experienced radio/TV technician for help.

**This Device Complies With Part 18 Of The FCC Rules.**

## Materials That Can Be Used In A Microwave

| MATERIALS             | COMMENTS   |
|-----------------------|--|
| Browning Dish         | Follow manufacturer's instructions. The bottom of the browning dish must be at least 3/16" (5mm) above the turntable. Incorrect usage may cause the turntable to break.  |
| Dinnerware            | Microwave-safe only. Follow manufacturer's instructions. Do not use cracked or chipped dishes.   |
| Glass Jars            | Always remove lid. Use only to heat food until just warm. Most glass jars are not heat resistant and may break.  |
| Glassware             | Heat-resistant oven glassware only. Make sure there is no metallic trim. Do not use cracked or chipped dishes.   |
| Oven Cooking Bags     | Follow manufacturer's instructions. Do not close with a metal tie. Make slits to allow steam to escape.  |
| Paper Plates and Cups | Use for short-term cooking/warming only. Do not leave oven unattended while cooking.   |
| Paper Towels          | Use to cover food for reheating and absorbing fat. Use with supervision for a short-term cooking only  |
| Parchment Paper       | Use as a cover to prevent splattering or a wrap for steaming.  |
| Plastic               | Microwave-safe only. Follow the manufacturer's instructions. Should be labeled "Microwave Safe". Some plastic containers soften, as the food inside gets hot. "Boiling bags" and tightly closed plastic bags should be slit, pierced or vented as directed by package. |
| Plastic Wrap          | Microwave-safe only. Use to cover food during cooking to retain moisture. Do not allow plastic wrap to touch food.   |
| Thermometers          | Microwave-safe only (meat and candy thermometers).   |
| Wax Paper             | Use as a cover to prevent splattering and retain moisture.   |

## Materials To Be Avoided In A Microwave

| MATERIALS                       | COMMENTS  |
|---------------------------------|---|
| Aluminum Tray                   | May cause arcing. Transfer food into microwave-safe dish.                   |
| Food Carton With Metal Handle   | May cause arcing. Transfer food into microwave-safe dish.                   |
| Metal Or Metal-Trimmed Utensils | Metal shields the food from microwave energy. Metal trim may cause arcing.  |
| Metal Twist Ties                | May cause arcing and could cause a fire in the oven.                        |
| Paper Bags                      | May cause a fire in the oven.   |
| Plastic Foam Container          | May melt or contaminate the liquid inside when exposed to high temperature. |
| Wood                            | Wood will dry out when used in the microwave oven and may split or crack.   |

# Operation



## Standby Mode

During startup, when the microwave drawer is plugged in, "WELCOME" will display on the center screen. Then the drawer will enter standby mode and "00.00" or the time, if it has been set, will display.

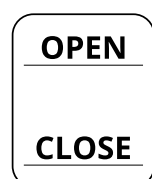
During operation, if nothing is entered on the touchscreen for one minute or CANCEL/STOP is pressed, the drawer will enter standby mode.

## ECO Function

ECO mode will be entered when the microwave drawer is in standby mode, the drawer is closed, and there has been no operation for one minute.

To cancel ECO mode, touch any key or open the drawer.

## Using the Control Panel



To OPEN the drawer when it is closed, touch OPEN once. The screen will display "OPEN."

To CLOSE the drawer when it is open, touch CLOSE once. The screen will display "CLOSE."

While the drawer is opening/closing automatically, if OPEN or CLOSE are touched, the process will stop. To restart the process, touch OPEN or CLOSE.



Touching START/+30 SEC. **by itself** will set the microwave to cook at 100% power level for 30 seconds. Each press will add 30 seconds cooking time.

Touching START/+30 SEC. **as the last step in microwave cooking, clock, timer, auto menu, and defrost operations** will start the operation.



To CANCEL or STOP cooking, touch CANCEL/STOP.

**POWER**

To change the cooking power level, touch POWER once. There are ten power levels available. Touch POWER repeatedly to cycle through the levels, or touch the number keys to choose the power level.

|                |      |      |      |      |      |      |      |      |      |       |
|----------------|------|------|------|------|------|------|------|------|------|-------|
| <b>LEVEL</b>   | 1    | 2    | 3    | 4    | 5    | 6    | 7    | 8    | 9    | 10    |
| <b>POWER</b>   | 10%  | 20%  | 30%  | 40%  | 50%  | 60%  | 70%  | 80%  | 90%  | 100%  |
| <b>DISPLAY</b> | PL-1 | PL-2 | PL-3 | PL-4 | PL-5 | PL-6 | PL-7 | PL-8 | PL-9 | PL-10 |

During cooking, the power level can be displayed by touching the POWER button. The power level will display for five seconds.

## Microwave Cooking

### TO COOK BY SETTING THE TIME AND POWER LEVEL:

**TIME  
COOK**

1. Touch TIME/COOK once. The center screen will display "0."
2. Touch the number keys to set the cooking time.  
(Maximum time is 99 minutes and 99 seconds).
3. Touch POWER once. "PL-10" will display.
4. Touch POWER repeatedly or use the number keys to set the power level.
5. Touch START/+30 SEC. to start cooking.

To pause cooking, touch CANCEL/STOP.

To change the power level during cooking, touch POWER once. (The current power level will display.) Use the number keys to select the desired power level. The drawer will now operate with the newly selected power level.

### SPEEDY COOKING

In standby mode, you can touch the numbers 1-5 to select a one to five minute cooking time.

In standby mode, you can touch START/+30 SEC. once or repeatedly to choose the cooking time.

In the microwave cooking state, the auto menu, and the defrosting by time state, you can increase cooking time by 30 seconds with each touch of +30 SEC. (This will not work with defrosting by weight).



### CLOCK TIMER

#### To Set The Clock:

1. Touch CLOCK/TIMER once.  
The screen will display "12:00."
2. Touch the number keys to enter the time.  
(For example, for 12:10, touch 1,2,1,0.)
3. Touch CLOCK/TIMER to confirm and set the time.

### CLOCK TIMER

#### To Set The Timer:

1. Touch CLOCK/TIMER twice.  
The screen will display "00:00."
2. Touch the number keys to enter the desired time.  
(Max. time is 99 min. and 99 sec.).
3. Touch START/+30 SEC. to confirm and start the timer
4. To cancel the TIMER, touch CLOCK/TIMER.

### CHILD LOCK

To activate the lock:

- In standby mode, touch and hold CHILD LOCK for three seconds.  
A buzzer will sound and "LOCKED" will display on the screen.

To deactivate the lock:

- In the locked state, touch and hold CHILD LOCK for three seconds.  
A buzzer will sound and "UNLOCK" will display on the screen.

## Auto Menu

### BEVERAGE

1. Touch BEVERAGE once and "1 CUP" displays or touch twice and "2 CUPS" displays.  
(After the BEVERAGE button has been touched, you can use the keypad numbers 1 or 2 to select one or two cups).
2. Touch START/+30 SEC. to start cooking.

### POPCORN

1. Touch POPCORN once and "1.75oz." displays or touch twice or three times and "3.0oz." and "3.5oz." displays.  
(After the POPCORN button has been touched, you can use the keypad numbers 1-3 to select "1.75oz," "3.0oz," or "3.5oz" bags).
2. Touch START/+30 SEC. to start cooking.

**MELT**

1. Touch MELT once and “SELECT FOOD TYPE 1-4” displays.
2. Touch MELT repeatedly to select the food type you want or use the number keys 1-4.
3. Touch START/+30 SEC. to confirm the food type.
4. Touch MELT repeatedly to select the weight or use the number keys 1-3.
5. Touch START/+30 SEC. to start cooking.

| FOOD TYPE            | DISPLAY | KEYPAD NUMBER | WEIGHT   |
|----------------------|---------|---------------|----------|
| 1 - Butter/Margarine | BUTTER  | 1             | 1 STICK  |
|                      |         | 2             | 2 STICKS |
|                      |         | 3             | 3 STICKS |
| 2 - Chocolate        | CHOCOLA | 1             | 4 OZ.    |
|                      |         | 2             | 8 OZ.    |
| 3 - Cheese           | CHEESE  | 1             | 8 OZ.    |
|                      |         | 2             | 16 OZ.   |
| 4 - Marshmallows     | MARSHMA | 1             | 5 OZ.    |
|                      |         | 2             | 10 OZ.   |

**SOFTEN**

1. Touch SOFTEN once and “SELECT FOOD TYPE 1-3” displays.
2. Touch SOFTEN repeatedly to select the food type you want or touch the number keys 1-3.
3. Touch START/+30 SEC. to confirm the food type.
4. Touch SOFTEN repeatedly to select the weight or touch the number keys 1-3.
5. Touch START/+30 SEC. to start cooking.

| FOOD TYPE                  | DISPLAY | KEYPAD NUMBER | WEIGHT   |
|----------------------------|---------|---------------|----------|
| 1 - Butter                 | BUTTER  | 1             | 1 STICK  |
|                            |         | 2             | 2 STICKS |
|                            |         | 3             | 3 STICKS |
| 2 - Ice Cream/Frozen Juice | ICE-CRE | 1             | 8 OZ.    |
|                            |         | 2             | 16 OZ.   |
|                            |         | 3             | 32 OZ.   |
| 3 - Cream Cheese           | CHEESE  | 1             | 8 OZ.    |
|                            |         | 2             | 16 OZ.   |



**SENSOR REHEAT**

Sensor Reheat allows you to reheat many of your favorite foods without selecting cooking time and power level. The microwave drawer automatically determines the required cooking time for each food item.

1. Touch SENSOR REHEAT once and “SELECT SENSOR FOOD TYPE 1-4” displays.
2. Touch SENSOR REHEAT repeatedly to select the food type you want or touch the number keys 1-4.
3. Touch START/+30 SEC. to start sensing.

DO NOT OPEN the drawer during the sensing process, or the program will be cancelled. When the sensing is complete, the calculated cooking time will start to count down. Once the calculated cooking time is displayed, you can open the drawer to stir, turn or rearrange the food. Close the drawer and touch START/+30 SEC. to resume operation.

| FOOD TYPE | DISPLAY | WEIGHT RANGE                   |
|-----------|---------|--------------------------------|
| 1 - Pasta | PASTA   | 1 - 4 servings (4 oz. serving) |
| 2 - Pizza | PIZZA   | 1 - 4 slices (2 oz. slice)     |
| 3 - Plate | PLATE   | 1 serving                      |
| 4 - Soup  | SOUP    | 1 - 4 servings (4 oz. serving) |

**SENSOR COOK**

Sensor Cook allows you to cook many of your favorite foods without selecting cooking time and power level. The microwave drawer automatically determines the required cooking time for each food item.

1. Touch SENSOR COOK once and “SELECT SENSOR FOOD TYPE 1-7” displays.
2. Touch SENSOR COOK repeatedly to select the food type you want or touch the number keys 1-7.
3. Touch START/+30 SEC. to start sensing.

DO NOT OPEN the drawer during the sensing process, or the program will be cancelled. When the sensing is complete, the calculated cooking time will start to count down. Once the calculated cooking time is displayed, you can open the drawer to stir, turn or rearrange the food. Close the drawer and touch START/PAUSE to resume operation.

| FOOD               | DISPLAY | WEIGHT RANGE                   |
|--------------------|---------|--------------------------------|
| 1 - Potato         | POTATO  | 1 - 4 potatoes                 |
| 2 - Chicken        | CHICKEN | 1 - 4 servings (4 oz. serving) |
| 3 - Fish           | FISH    | 1 - 4 servings (4 oz. serving) |
| 4 - Ground Meat    | MEAT    | 1 - 4 servings (4 oz. serving) |
| 5 - Fresh Veggies  | FRES-VE | 1 - 4 servings (4 oz. serving) |
| 6 - Frozen Veggies | FROZ-VE | 1 - 4 servings (4 oz. serving) |
| 7 - Canned Veggies | CANN-VE | 1 - 4 servings (4 oz. serving) |

**DEFROST WEIGHT**

**To Defrost By Weight:**

1. Touch DEFROST WEIGHT once. The screen will display "WEIGHT."
2. Touch the number keys to set the weight of the food. (Weight range 0.1 to 6.0 lbs.).
3. Touch START/+30 SEC. to start defrosting.

The buzzer will sound to remind you to turn the food over. "TURN FOOD OVER" will display. If you do nothing, the drawer will continue to operate.

**DEFROST TIME**

**To Defrost By Time:**

1. Touch DEFROST TIME once. The screen will display "TIME."
2. Touch the number keys to set the defrost time. (Max. time value is 99:99).
3. Touch POWER once. The screen will display "PL-3."
4. Touch the number keys to set the power level.
5. Touch START/+30 SEC. to start defrosting.

The buzzer will sound to remind you to turn the food over. "TURN FOOD OVER" will display. If you do nothing, the drawer will continue to operate.

The power level can be increased during operation. Touch POWER once and then the current power will display for five seconds. Touch the number keys to increase the power. The drawer will work with the selected power.

# Cleaning

| MICROWAVE AREA                    | HOW TO CLEAN   |
|-----------------------------------|--|
| Exterior/ Stainless Steel         | <p>Use a dish cloth dampened with soap and water. Rinse well and dry with a soft cloth.</p> <p>Stainless steel cleaning agents can be used. REMOVE grease, starch, and egg white residue immediately, as these can cause corrosion on stainless steel.</p> |
| Door Seal                         | <p>It is important to keep this area where the door seals against the microwave clean.</p> <p>Use a dish cloth dampened with soap and water. Rinse well and dry with a soft cloth.</p>   |
| Control Panel                     | <p>Use a dish cloth dampened with water only. Dry with a soft cloth.</p> <p>Lock out the control panel to avoid activating controls. See <b>Child Lock</b> under "Using the Control Panel."</p>  |
| Cooking Compartment               | <p>Use a dish cloth and hot, soapy water to clean. Dry with a soft cloth.</p>  |
| Waveguide Cover                   | <p>The waveguide cover is located on the ceiling of the microwave. It is important to keep the waveguide cover clean for optimal microwave performance.</p> <p>Use a dish cloth dampened with soap and water. Rinse well and dry with a soft cloth.</p>    |
| Drawer Rails, Guides, and Rollers | <p>It is important to clean the drawer rails, guides, and rollers to keep the microwave opening and closing smoothly.</p> <p>Open the drawer fully and use a soft dry cloth to clean.</p>  |

# Troubleshooting

## Before Calling for Help:

If the unit appears to be malfunctioning, read through the “Operation” section of this manual first. If the problem persists, check the Troubleshooting Guide below. The problem may be something that can easily be solved or explained.

| SYMPTOMS              | POSSIBLE CAUSES                                      | SOLUTIONS  |
|-----------------------|--|--|
| Oven will not start   | Electrical cord for oven is not plugged in.          | Plug into the outlet.  |
|                       | Door is open.  | Close the door and try again.                                |
|                       | Wrong operation is set.                              | Check instructions.  |
| Arcing or sparking    | Materials to be avoided in microwave oven were used. | Use microwave-safe cookware only.                            |
|                       | The oven is operated when empty.                     | Do not operate with oven empty.                              |
|                       | Spilled food remains in the cavity.                  | Clean cavity with wet towel.                                 |
| Unevenly cooked foods | Materials to be avoided in microwave oven were used. | Use microwave-safe cookware only.                            |
|                       | Food is not defrosted completely.                    | Completely defrost food.                                     |
|                       | Cooking time, power level is not suitable.           | Use correct cooking time and power level.                    |
|                       | Food is not turned or stirred.                       | Turn or stir food.   |
| Overcooked foods      | Cooking time, power level is not suitable.           | Use correct cooking time and power level.                    |
| Undercooked foods     | Materials to be avoided in microwave oven were used. | Use microwave-safe cookware only.                            |
|                       | Food is not defrosted completely.                    | Completely defrost food.                                     |
|                       | Oven ventilation ports vents are restricted.         | Check to see that oven ventilation ports are not restricted. |
|                       | Cooking time, power level is not suitable.           | Use correct cooking time and power level.                    |
| Improper defrosting   | Materials to be avoided in microwave oven were used. | Use microwave-safe cookware only.                            |
|                       | Cooking time, power level is not suitable.           | Use correct cooking time and power level.                    |
|                       | Food is not turned or stirred.                       | Turn or stir food.   |

## Specifications

**NOTE:**

Technical data and performance information are provided for reference only. Specifications are subject to change. Check the rating label on the microwave for the most accurate information.

|   |  |
|---|--|
| Product Type                            | Microwave drawer   |
| Model                                   | 24" Models: ADM241SS; ADM241BS<br>30" Model: ADM301SS  |
| Voltage / Frequency                     | 120VAC 60Hz  |
| Rated Input                             | 1500W  |
| Rated Output                            | 1000W  |
| Total Capacity                          | 1.2 Cu Ft.   |
| Color                                   | ADM241SS; ADM301SS / Stainless Steel<br>ADM241BS / Black Stainless Steel                             |
| Dimensions<br>(Width x Height x Depth ) | 24" Model - W 23-5/8" x H 15-27/28" x D 23-3/16"<br>30" Model - W 29-7/8" x H 15-27/28" x D 23-3/16" |

# Product Warranty

| Warranty Period                       | Avallon will be responsible for:  | Consumer will be responsible for:  |
|---------------------------------------|---|--|
| 1st year                              | All costs for repairing or replacing parts and/or unit which proves to be defective. All transportation costs in the first 90 days. | Consumer will be responsible for:<br>All transportation costs after 90 days. |
| Limited 2nd-5th year (magnetron only) | Repairing or replacing any magnetron which proves to be defective. (Labor not included.)  | Labor and all transportation costs.  |

This product is warranted by Avallon and is subject to any conditions set forth as follows:

## WHAT IS COVERED:

**One Year Parts and Labor:** For one year from the date of original retail purchase, Avallon will repair or replace any part free of charge including labor that fails due to a defect in materials or workmanship. Avallon will be responsible for all transportation costs for the first 90 days from original purchase date, after 90 days the consumer will be responsible. Labor will be performed free of charge at an authorized Avallon repair facility and will supply new, rebuilt, or refurbished parts free of charge. Avallon may request a defective part be returned in exchange for the replacement part. After the 12 month period, Avallon will no longer be responsible for labor charges incurred or replacement parts. All defective products and parts covered by this warranty will be repaired or replaced on a mail-in basis to an Avallon authorized repair facility.

**Five Year Limited Warranty (Magnetron- Labor Not Included):** In the second through fifth year from the date of original retail purchase, Avallon will replace the magnetron free of charge. The consumer will be responsible for all transportation and labor costs. Avallon will supply a new, rebuilt, or refurbished magnetron and may request for the defective magnetron to be returned in exchange. This limited 5-Year warranty is for the magnetron only and does not include labor.

All warranties apply to the original purchaser only, and only covers defects in workmanship experienced during operation of the product under normal service, maintenance, and usage conditions. This warranty applies to the purchase and use of this product in residential settings within the United States of America. All products and parts replaced by Avallon under warranty service become the property of Avallon. All defective products and parts covered by this warranty will be repaired or replaced on a mail-in basis to an Avallon authorized repair facility.

**Exceptions:** Commercial or Rental Use Warranty: 90 days labor and parts from date of original purchase. No other warranty applies.

## WHAT IS NOT COVERED:

Labor charges for installation, setup or training to use the product. Shipping damage, and any damage caused by improper packaging for shipment to an authorized service center, and any damaged caused by improper voltage or any other misuse, including abnormal service, handling, or usage. Cosmetic damage such as scratches and dents. Normal wear and tear on parts or replacement of parts designed to be replaced, e.g. filters, cartridges, batteries. Service trips to deliver, pick-up, or repair, install the product, or to instruct in proper usage of the product. Damages or operating problems resulting from misuse, abuse, operation outside environmental specifications, uses contrary to instructions provided in the owner's manual, accidents, vermin, fire, flood, improper installation, unauthorized service, maintenance negligence, unauthorized installation or modification, or commercial use. Labor, service transportation, and shipping charges for the removal and replacement of defective parts, beyond the initial 12-month period. Products that have been modified to perform outside of specifications without the prior written permission of Avallon. Products lost in shipment, or theft. Products sold AS IS or from an unauthorized reseller. Products that have had their serial numbers removed, defaced, or with serial numbers that have been invalidated. Damage from other than normal household use. Replacement or repair of household fuses, circuit breakers, wiring or plumbing. Damage to personal property from use of product. Damage from service other than from an authorized Avallon repair facility. Hoses, knobs, lint trays and all attachments, accessories and disposable parts. Any service charges not specifically identified as normal such as normal service area or hours. Any special or consequential damages arising out of the use of the product.

## OBTAINING WARRANTY SERVICE:

If you believe your product is defective, contact Avallon Customer Support for troubleshooting assistance and warranty service at [www.avallon.com](http://www.avallon.com) or call 1-866-471-7427. Before contacting Customer Support, you are required to have your model number, serial number and proof of purchase available upon request. Once an Avallon authorized representative has confirmed that your product is defective and eligible for warranty service, the product must be returned to an Avallon authorized repair facility. Avallon is not responsible for damage resulting from shipper mishandling or improper packaging. Do not return a defective product to the place of purchase. Products received without a return authorization number will be refused.

THIS WARRANTY IS IN LIEU OF ANY OTHER WARRANTY, EXPRESS OR IMPLIED, INCLUDING WITHOUT LIMITATION, ANY WARRANTY OF MERCHANTABILITY OR FITNESS FOR A PARTICULAR PURPOSE. TO THE EXTENT ANY IMPLIED WARRANTY IS REQUIRED BY LAW, IT IS LIMITED IN DURATION TO THE EXPRESS WARRANTY PERIOD ABOVE. NEITHER THE MANUFACTURER NOR ITS DISTRIBUTORS SHALL BE LIABLE FOR ANY INCIDENTAL, CONSEQUENTIAL, INDIRECT, SPECIAL, OR PUNITIVE DAMAGES OF ANY NATURE, INCLUDING WITHOUT LIMITATION, LOST REVENUES OR PROFITS, OR ANY OTHER DAMAGE WHETHER BASED IN CONTRACT, TORT, OR OTHERWISE. IN NO EVENT AND UNDER NO CIRCUMSTANCE OF ANY TYPE OR KIND SHALL THE SELLER, MANUFACTURER AND/OR DISTRIBUTOR BE LIABLE FOR ANY REASON, UNDER ANY THEORY, FOR MORE THAN THE BASIC COST OF THE PRODUCT TO THE PURCHASER OR END USER. SOME STATES DO NOT ALLOW THE EXCLUSION OF INCIDENTAL OR CONSEQUENTIAL DAMAGES, SO THE ABOVE EXCLUSION MAY NOT APPLY TO YOU. THIS WARRANTY GIVES YOU SPECIFIC LEGAL RIGHTS. YOU MAY HAVE OTHER RIGHTS THAT VARY FROM STATE TO STATE.

