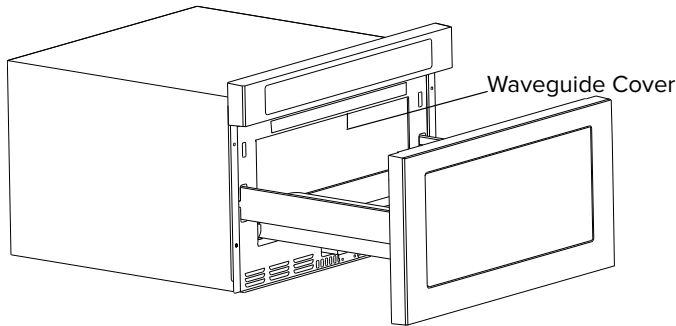


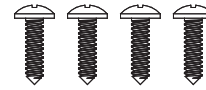
MICROWAVE DRAWER INSTALLATION INSTRUCTIONS



INSTALLATION ACCESSORIES

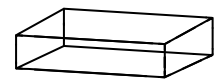
INCLUDED

4 Screws



FIELD SUPPLIED

6" Anti-Tip Block



TOOLS REQUIRED

- Measuring Tape
- Drill
- 1/16" Phillips Head Drill Bit

Unpacking Your Microwave Drawer

When unpacking your microwave drawer, remove all packaging from inside of the microwave.

- DO NOT REMOVE THE WAVEGUIDE COVER, which is located on the inside top of the microwave drawer.
- Remove the feature sticker, if there is one.
- Check the drawer for any damage, such as misaligned or bent drawers, damaged drawer seals or sealing surfaces, broken or loose microwave drawer guides, and dents inside the cavity or on the front side of the drawer. If there is any damage, do not operate the microwave drawer and contact your dealer.

Important Installer Notes

- Read all of the installation manual before installing the microwave drawer.
- Remove all packing material before connecting the electrical supply.
- Observe all governing codes and ordinances.
- Be sure to leave these instructions with the consumer.

Important Consumer Notes

- Keep this manual with your Operation Manual for future reference.
- As when using any microwave oven generating heat, there are certain safety precautions you should follow. These are listed in the Operation Manual. Read all and follow carefully.
- Be sure your microwave drawer is installed and grounded properly by a qualified installer or service technician.

Important Safety Instructions



WARNING:

- Installation and service must be performed by a qualified installer.
- If the information in these instructions is not followed exactly, a fire or electrical shock may result that could cause property damage, personal injury, or death.
- For SAFETY CONSIDERATIONS, do not install the drawer in any combustible cabinetry which is not in accord with the stated and necessary clearances and dimensions. See **Product Dimensions**.
- To reduce the risk of tipping, the Microwave Drawer must be secured by a properly installed anti-tip block.
- This Microwave Drawer must be electrically grounded in accordance with local codes.
- Make sure the wall coverings and the cabinets around the Microwave Drawer can withstand the heat generated by the Microwave Drawer.
- Never leave children alone or unattended in the area where a Microwave Drawer is in use.
- Never leave the drawer open when the microwave is unattended.
- Stepping, leaning, or sitting on the drawer may result in serious injuries and can also cause damage to the Microwave Drawer.
- Do not use the Microwave Drawer as a storage space. This creates a potentially hazardous situation.
- Check that the display panel shows time-of-day. If not, touch Stop/Clear to prevent unintended use.

Electrical Supply

This appliance requires a 120 volt, 60 Hz, AC-Only electrical supply with a minimum of 15 amps and must be grounded. In the event of an electrical short circuit, grounding reduces the risk of electric shock by providing an escape wire for the electric current. This appliance is equipped with a cord having a grounding wire with a grounding plug. The plug must be plugged into an outlet that is properly installed and grounded.

- Check the location where the Microwave Drawer will be installed for proper electrical supply.
- An electrical outlet can be installed in the shaded area in the upper left-hand corner shown in the Product Dimensions drawing on the following page.
- The microwave can also be powered using an electrical outlet in an adjacent cabinet. Ensure the electrical cord is long enough and there is no tension on the cord. The power cord access hole in the cabinet should have a minimum diameter of 1-1/2" and be deburred of all sharp edges.
- It is recommended that a separate circuit serving only the microwave be used.
- Always follow local code requirements.

Location/Installation Considerations

- Your microwave drawer can be built into a cabinet or wall by itself, or installed under a gas or electric wall oven.
 - Be sure that the clearance of the floor between the wall oven and the microwave drawer is a minimum of 2".
- Do not operate any heating or cooking appliance beneath the appliance OR mount unit over or near any portion of a heating or cooking appliance.
- Do not mount over a sink.
- Do not cover or block any openings on the appliance.
- Contact surfaces must be solid and level. Pay special attention to the floor on which the Microwave Drawer will sit. The floor of the opening should be constructed of plywood strong enough to support the weight of the oven (about 100 pounds).



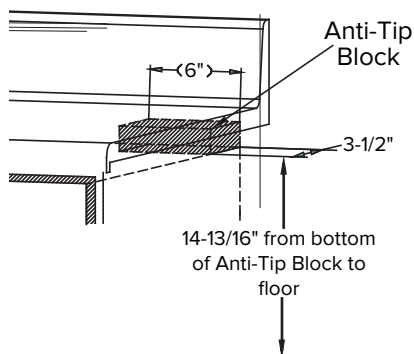
WARNING:

Improper use of the grounding plug can result in a risk of electric shock. **Do not use an extension cord.** If the power supply cord is too short, have a qualified electrician or service person install an outlet near the appliance.

Anti-Tip Block

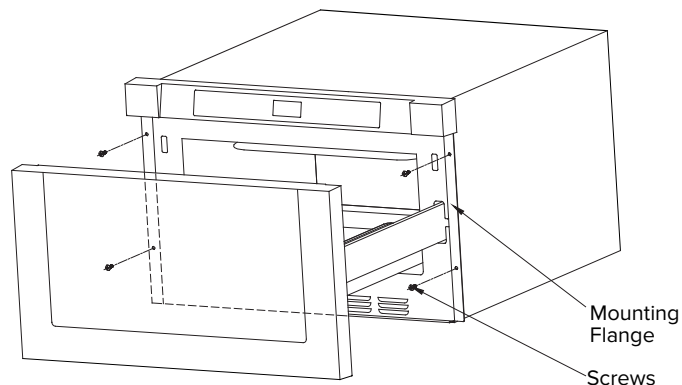
The anti-tip block prevents serious injury that might result from spilled hot liquids. If the Microwave Drawer is ever moved to a different location, the anti-tip block must also be moved and installed.

- A six-inch anti-tip block must be provided by the installer.
- To reduce the risk of tipping the drawer over, an anti-tip block must be installed 14-13/16" above the floor on which the microwave drawer will sit.
- When installed to the wall, make sure that the screws completely penetrate the dry wall and are secured in wood or metal so that the block is stable. When fastening, be sure that the screws do not penetrate electrical wiring or plumbing.



Drawer Installation

1. Place the drawer adjacent to the wall or cabinet opening.
2. Plug the power supply cord into the electrical outlet.
3. Carefully guide the drawer into the prepared opening. Avoid pinching the cord between the oven and the wall.
4. Slide the drawer all the way until the mounting flange is flush with the face of the cabinet.
5. Open the drawer. Using the four (4) holes on the drawer as a template, pre-drill the cabinet using a 1/16" bit.
6. Secure the drawer with the four (4) supplied screws.



Product Dimensions

Dimensions shown in the following figures must be used. Given dimensions provide minimum clearance.

ALL DIMENSIONS SHOWN APPLY TO BOTH 24" AND 30" MODELS, EXCEPT FOR THE SPECIFIC MEASUREMENTS CALLED OUT IN THE GRAY BOXES.

