

Specification Sheet

Model: ADM241SS

MICROWAVE DRAWER



24-Inch, 1.2 Cu Ft Capacity Stainless Steel Microwave Drawer

Features

- Touch controls for easy opening
- Large capacity at 1.2 cu ft
- Sensor cooking and defrosting
- Flush mount capable
- Reduced plug depth
- ADA compliant

Warranty

- One year parts and labor
- Five years limited magnetron

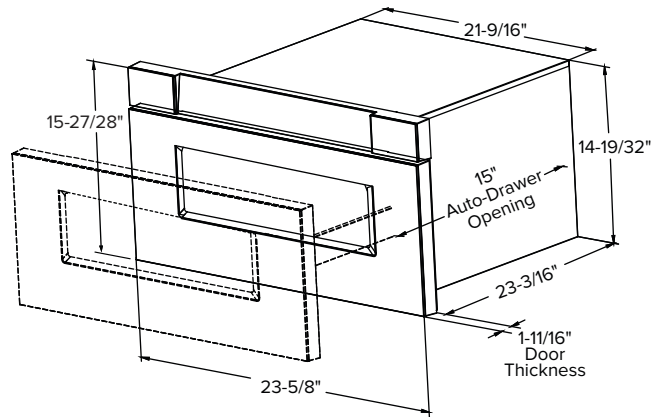
Model Details

Specifications

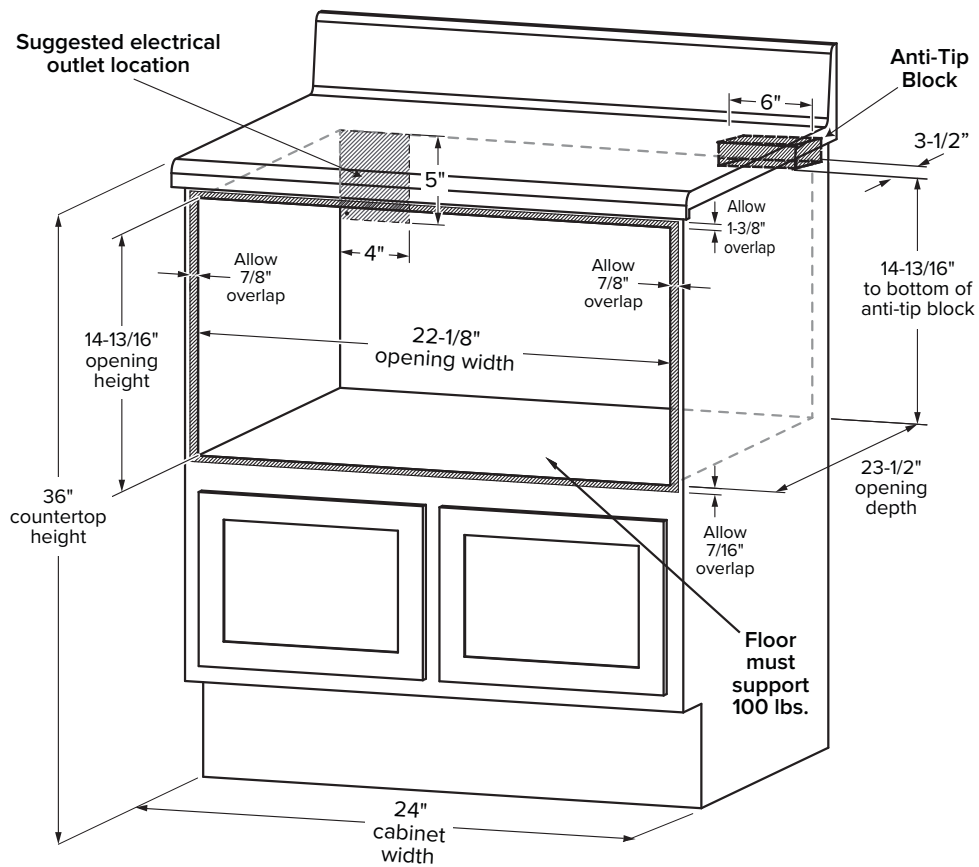
Model#	ADM241SS
Style	Drawer
Cooking Watts	1000W
Product Depth	23-3/16"
Product Height	15-27/28"
Product Width	23-5/8"
Product Weight	70 lbs
Kitchen Timer	Yes
Quick-Start Cooking	30-second increments
Child Lock	Yes
Power Cord Length	50"
Electric Supply	120 VAC, 60 Hz



Exterior Dimensions



Cutout Dimensions



Flush Installation

