

OVERLAY PANEL INSTALLATION INSTRUCTIONS

PRODUCT INFORMATION

Thank you for purchasing your panel ready undercounter wine or beverage refrigerator from Avallon. Our brand set out with one particular goal: To present appliances that are as reliable and recognizable as they are attainable. We create products that invite entire kitchens to be built around them, serving as an establishing feature in the very spaces they occupy.

In accordance with our ongoing mission to provide cutting-edge and forward-thinking products to our loyal customers, we recently introduced a line of panel ready appliances. These models are fully customizable, and in just a few short steps, you can match your undercounter refrigerator with your adjacent cabinetry.

This document serves as a guide for installing custom door panels on any of these models. For more product information, including owner's manuals, dimension guides, and more, visit Avallon.com.

PANEL INSTALLATION INSTRUCTIONS



TOOLS REQUIRED

- Phillips Screwdriver
- Drill and 7/64" Drill Bit
- #6 Wood Screws*
- Clamps (Recommended)



NOTE

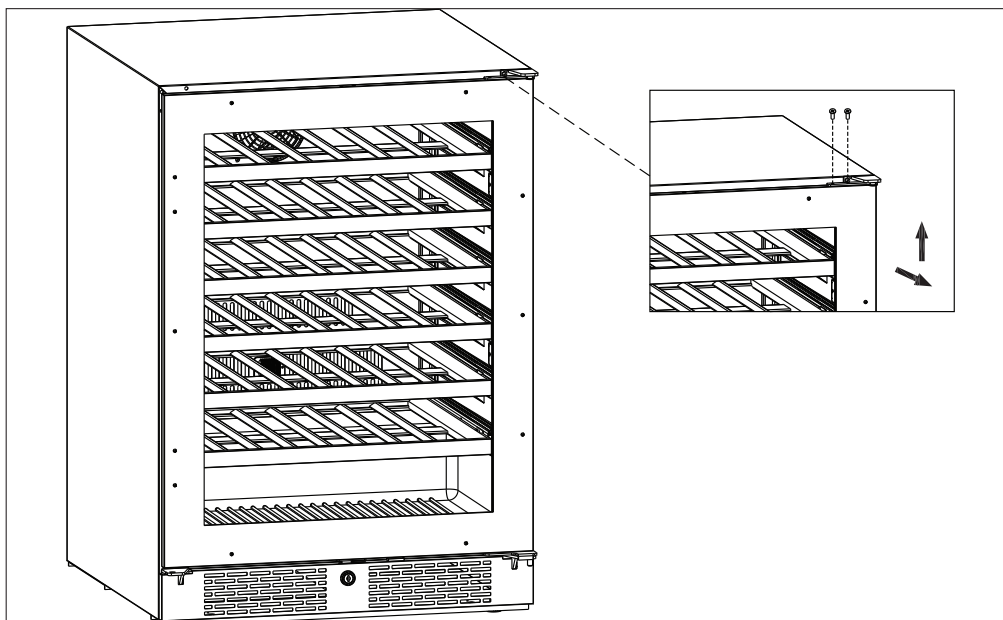
*Because the sizes of overlay panels vary, hardware for mounting your overlay is not included with your Avallon panel ready refrigerator. #6 wood screws are recommended. The required length depends on the thickness of your overlay panel. Take care to ensure the screws are not too long to avoid them protruding through the overlay panel.



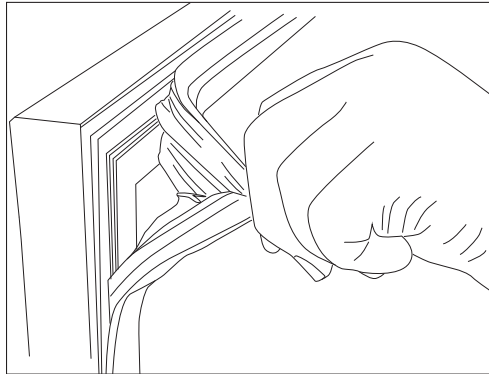
IMPORTANT

Warning: The weight of the overlay panel should not exceed 15 lbs.

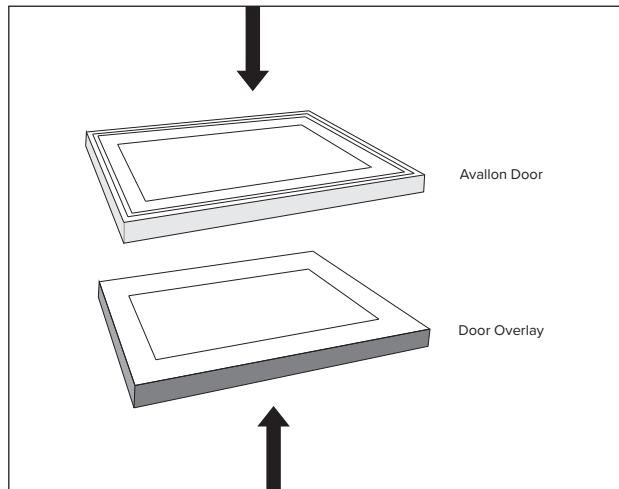
1. Open the door to a 90° angle.
2. Use a Phillips screwdriver to remove the two (2) screws from the top hinge.
3. Remove the door by carefully sliding the top of the door forward while lifting the door up and out of the bottom hinge assembly.



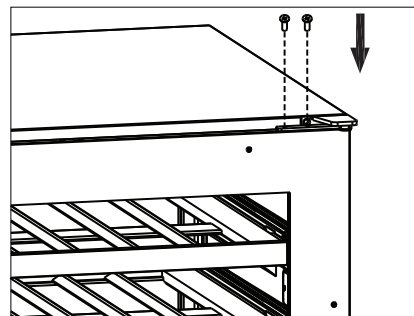
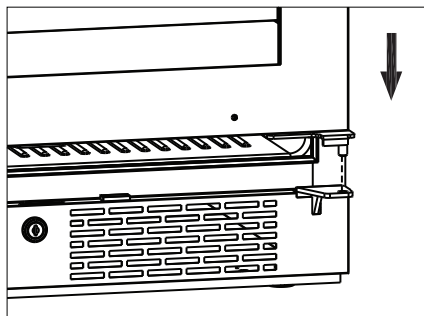
4. Lay the door on a solid surface with the glass panel or door front facing downward. We recommend placing the door on a moving blanket, sheet of cardboard, or other soft material before proceeding.
5. Peel away and remove the door gasket from the inside of the door frame as shown below. We recommend starting at one corner and gently pulling to avoid tearing the gasket. Set the gasket aside in a safe location.



6. Place the door (with the glass panel or door front facing downward) on top of the overlay panel as shown below. Align the top edge of the overlay panel with the top edge of the door frame. We recommend clamping the two pieces together before proceeding to prevent movement and misalignment.



7. Drill pilot holes into your overlay panel using the screw hole openings in the Avallon door for exact placement.
8. Use #6 wood screws of the correct length to secure the overlay panel to the door. The length of screw depends on the thickness of your overlay panel. Take care to ensure the screws are not too long to avoid them protruding through the overlay panel.
9. Your Avallon refrigerator comes with a standard towel bar handle. If you choose to install this handle, do so using the designated holes in the door. Hole positioning is shown on the *Screw Placement* diagrams on the following pages.
10. Replace the door gasket by lining the backside of the gasket up with the track in the top of the door. Press the gasket into the track when properly aligned and work the gasket into the track all the way around the door.
11. Reinstall the door by placing the lower hinge pin into the lower hinge assembly then securing the two (2) Phillips screws to the upper hinge axis.



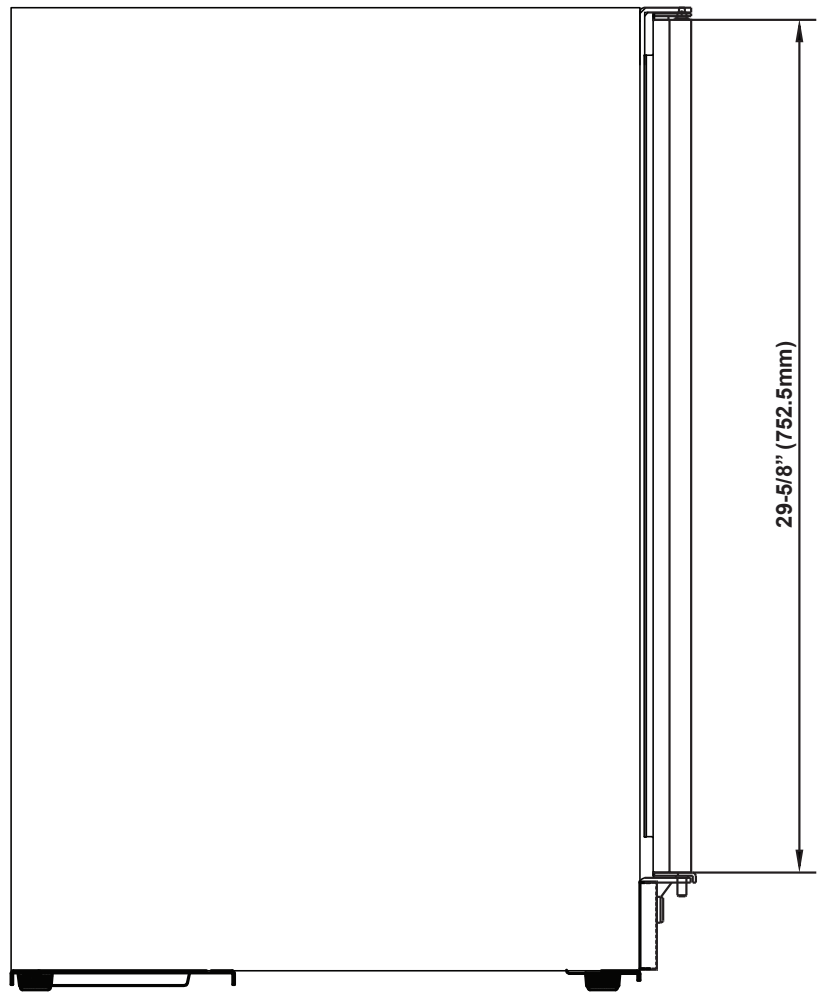
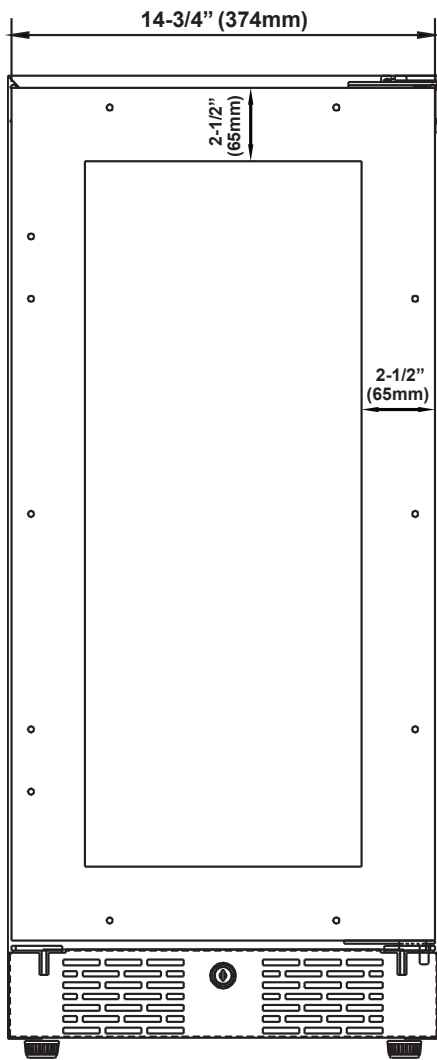
DOOR DIMENSIONS FOR 15" MODELS

MODELS: ABR152***, AWC152***



IMPORTANT

Warning: The images below are for reference only. Due to manufacturing tolerances, the location of the bores in the door for screw placement may vary slightly. We strongly recommend having the Avallon unit on-site prior to drilling pilot holes in the overlay panel.



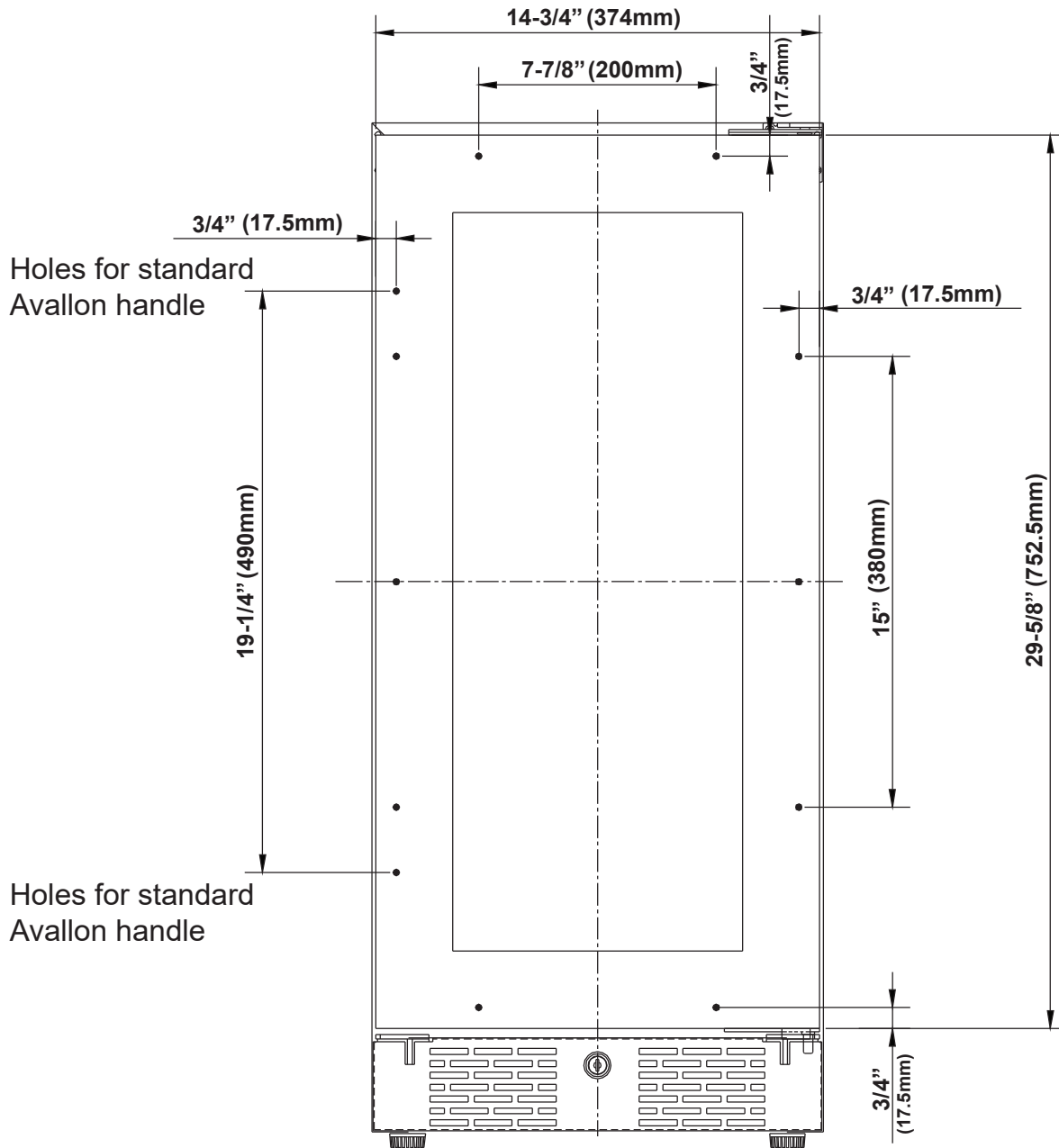
SCREW PLACEMENT FOR 15" GLASS DOOR MODELS

MODELS: ABR152PRGLH, ABR152PRGRH, AWC152SPRGLH, AWC152SPRGRH, AWC152DPRGLH, AWC152DPRGRH



IMPORTANT

Warning: The images below are for reference only. Due to manufacturing tolerances, the location of the bores in the door for screw placement may vary slightly. We strongly recommend having the Avallon unit on-site prior to drilling pilot holes in the overlay panel.



***Handle screw placement for left hinged models is reversed.**

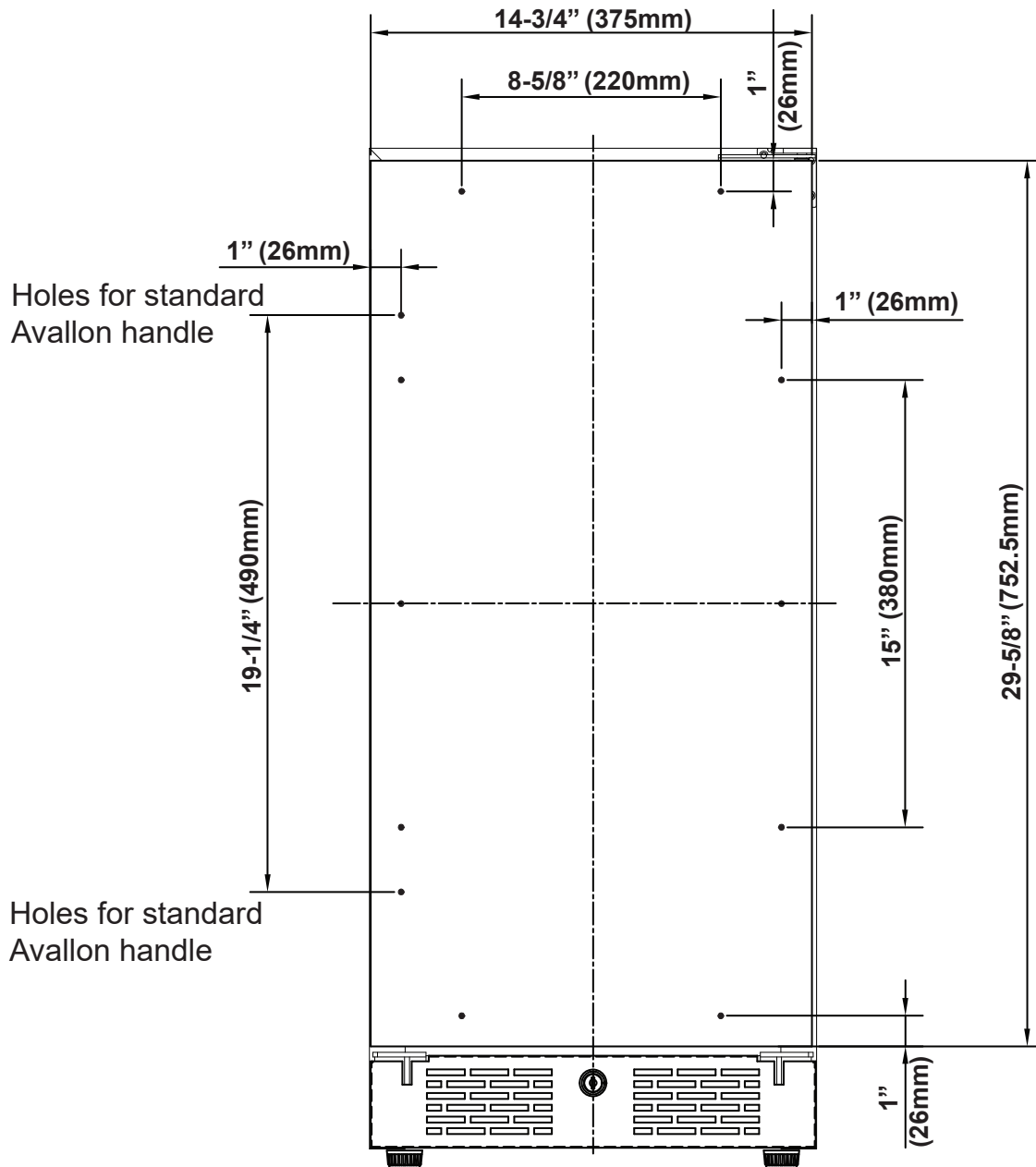
SCREW PLACEMENT FOR 15" SOLID DOOR MODELS

MODELS: ABR152PRSLH, ABR152PRSRH, AWC152SPRSLH, AWC152SPRSRH, AWC152DPRSLH, AWC152DPRSRH



IMPORTANT

Warning: The images below are for reference only. Due to manufacturing tolerances, the location of the bores in the door for screw placement may vary slightly. We strongly recommend having the Avallon unit on-site prior to drilling pilot holes in the overlay panel.



***Handle screw placement for left hinged models is reversed.**

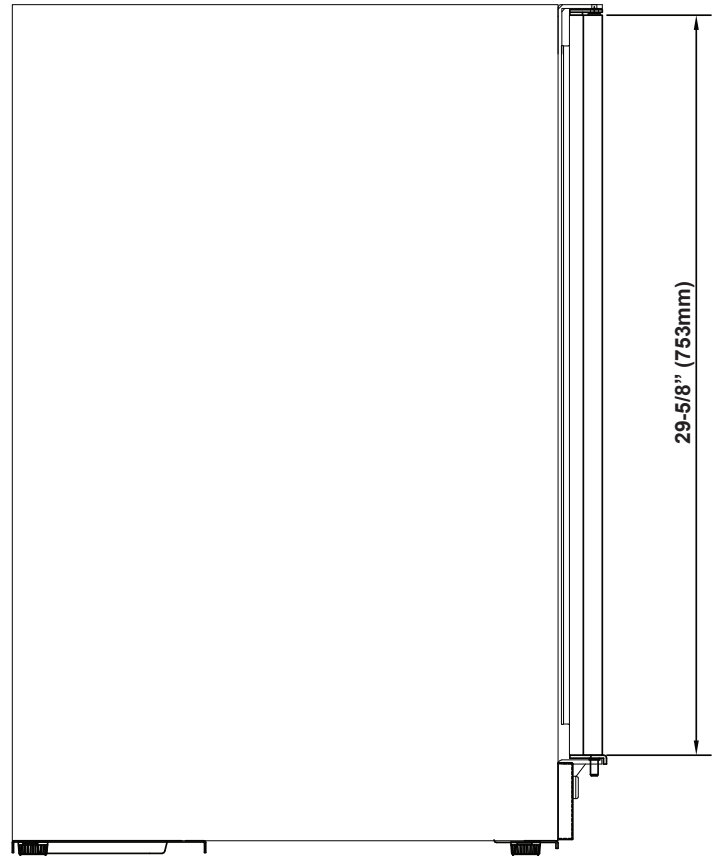
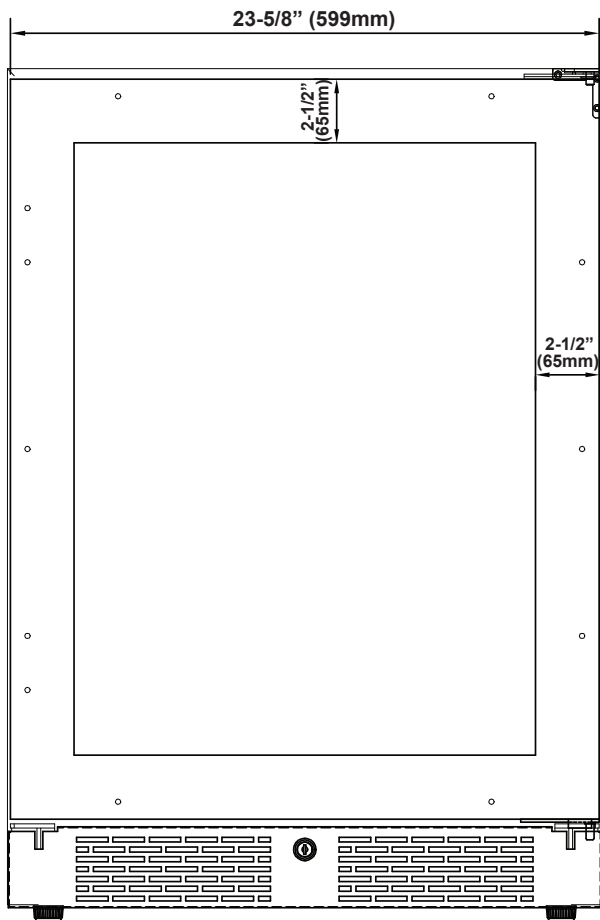
DOOR DIMENSIONS FOR 24" MODELS

MODELS: AWC242***, ABR242***, AWBC242***



IMPORTANT

Warning: The images below are for reference only. Due to manufacturing tolerances, the location of the bores in the door for screw placement may vary slightly. We strongly recommend having the Avallon unit on-site prior to drilling pilot holes in the overlay panel.



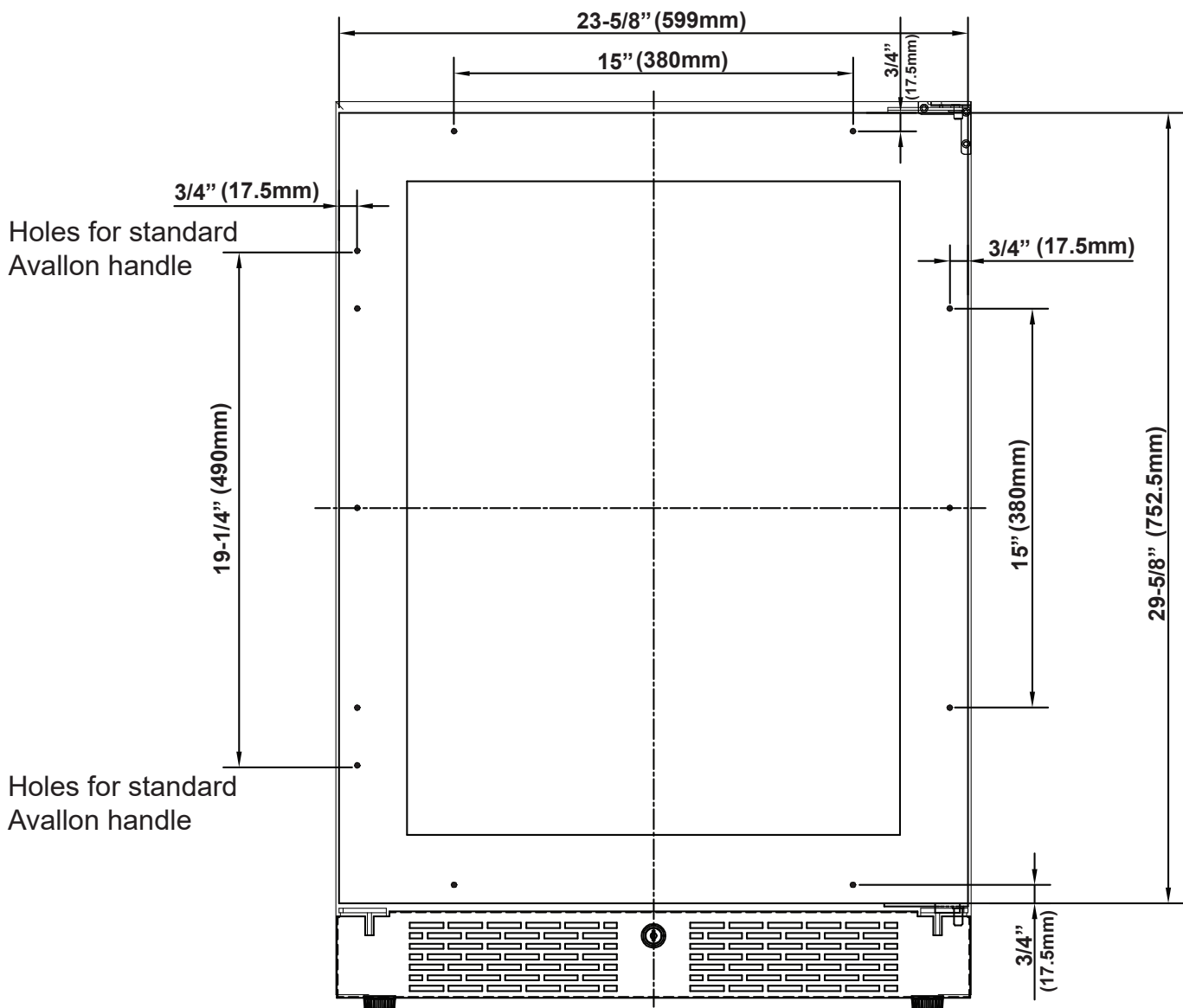
SCREW PLACEMENT FOR 24" GLASS DOOR MODELS

MODELS: AWC242SPRGLH, AWC242SPRGRH, AWC242DPRGLH, AWC242DPRGRH, AWBC242PRGLH, AWBC242PRGRH, ABR242PRGLH, ABR242PRGRH



IMPORTANT

Warning: The images below are for reference only. Due to manufacturing tolerances, the location of the bores in the door for screw placement may vary slightly. We strongly recommend having the Avallon unit on-site prior to drilling pilot holes in the overlay panel.



***Handle screw placement for left hinged models is reversed.**

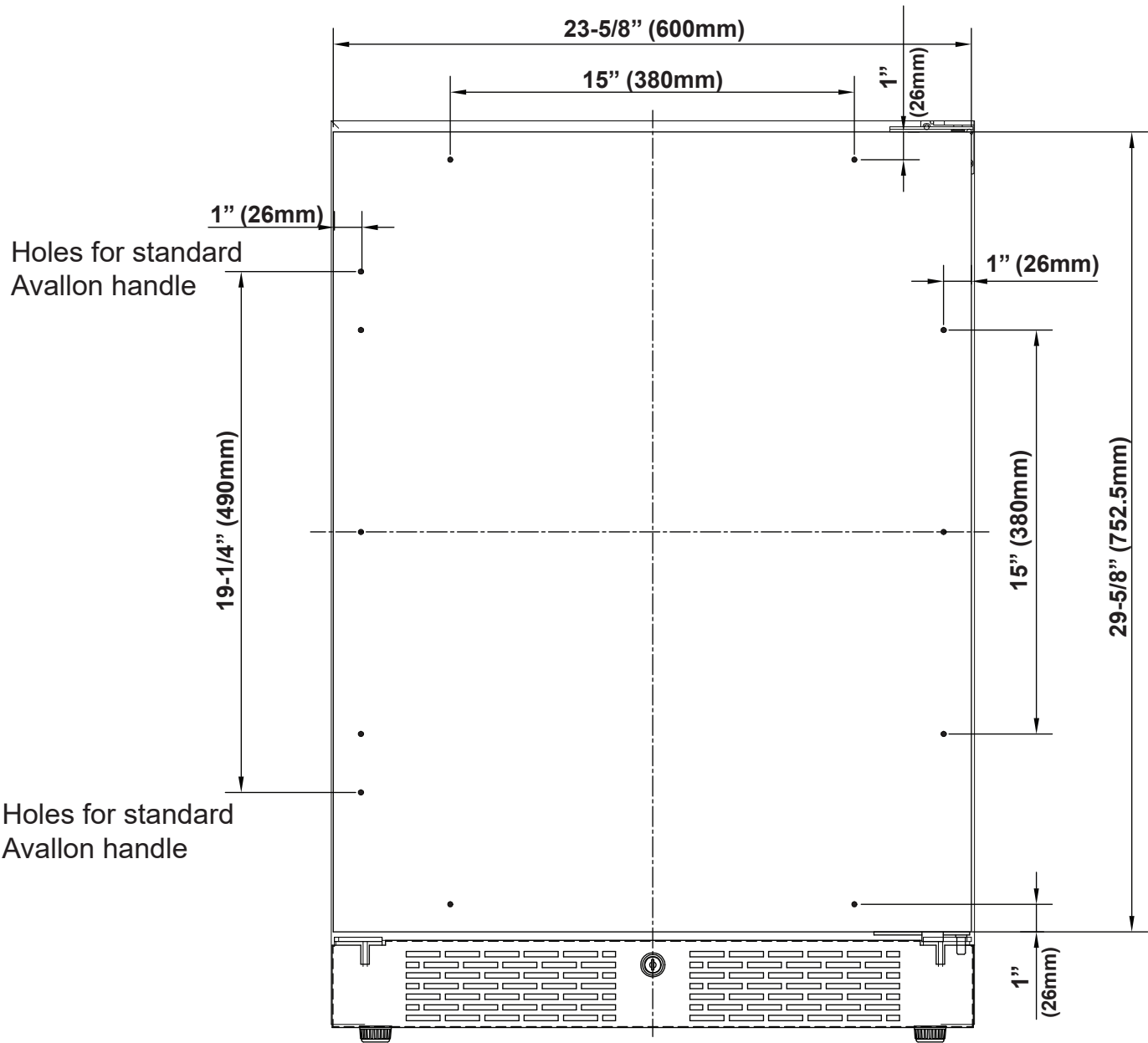
SCREW PLACEMENT FOR 24" SOLID DOOR MODELS

MODELS: AWC242DPRSLH, AWC242DPRSRH, ABR242PRSLH, ABR242PRSRH, AWBC242PRSLH, AWBC242PRSRH



IMPORTANT

Warning: The images below are for reference only. Due to manufacturing tolerances, the location of the bores in the door for screw placement may vary slightly. We strongly recommend having the Avallon unit on-site prior to drilling pilot holes in the overlay panel.



***Handle screw placement for left hinged models is reversed.**

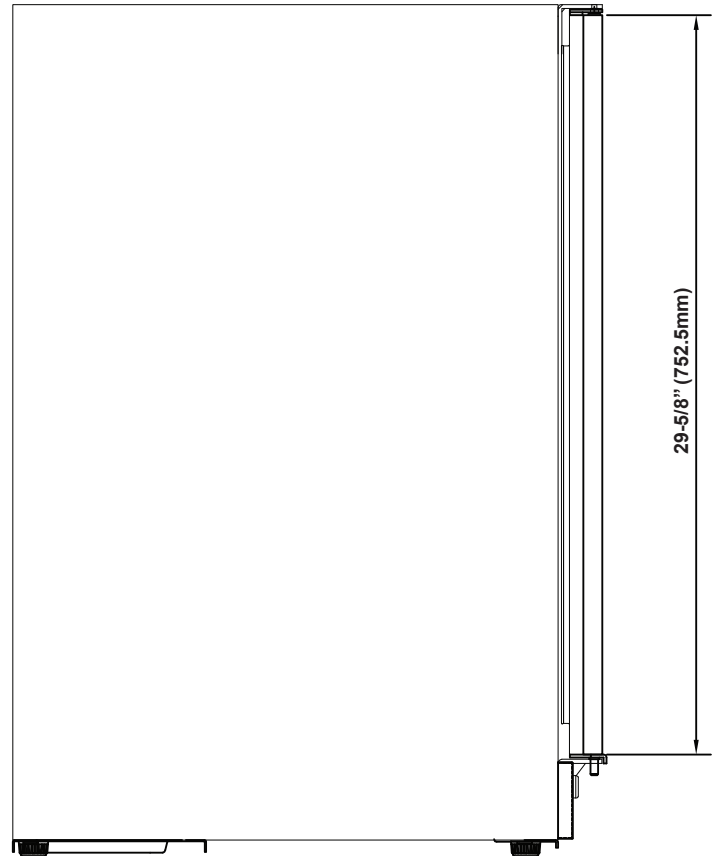
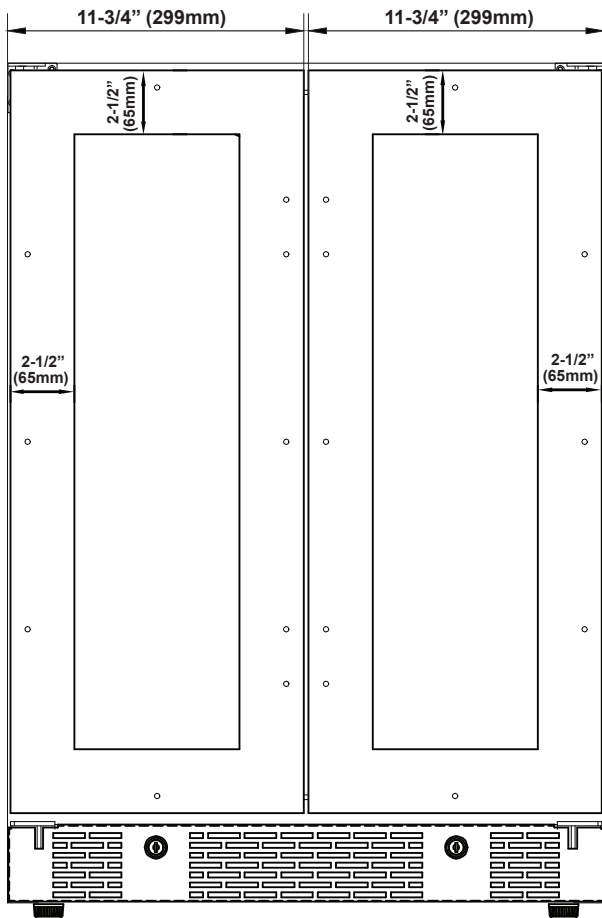
DOOR DIMENSIONS FOR 24" FRENCH DOOR MODELS

MODELS: AWC242FDPRG, AWBC242GGFDPRG



IMPORTANT

Warning: The images below are for reference only. Due to manufacturing tolerances, the location of the bores in the door for screw placement may vary slightly. We strongly recommend having the Avallon unit on-site prior to drilling pilot holes in the overlay panel.



SCREW PLACEMENT FOR 24" FRENCH DOOR MODELS

MODELS: AWC242FDPRG, AWBC242GGFDRG



IMPORTANT

Warning: The images below are for reference only. Due to manufacturing tolerances, the location of the bores in the door for screw placement may vary slightly. We strongly recommend having the Avallon unit on-site prior to drilling pilot holes in the overlay panel.

