

RANGE HOOD WALL MOUNT



PRO 48" Range Hood Wall Mount

Features

- Stainless steel finish
- Fully retractable control knobs with white backlight
- White LED lighting
- Dishwasher-safe stainless steel baffle filters
- 4 Fan speeds with a max of 1200 CFM

Additional Features

- CFMBK1200A *CFM Reduction Kit
**Limits model to first fan speed to meet building codes*

Warranty

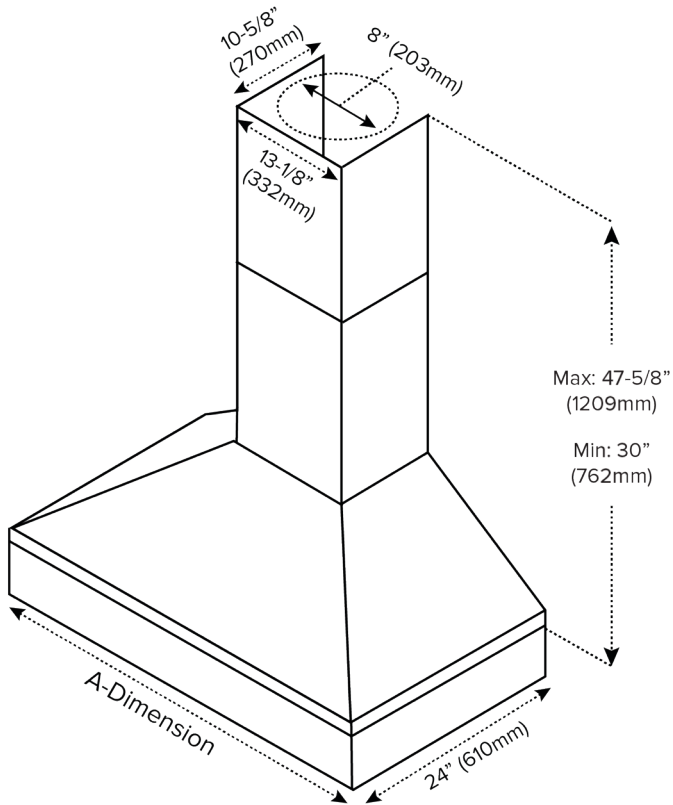
- 3-year parts, 1-year labor



Model Details

Model	ARHW48PAA
Width	48"
Dimensions	48" W x 24" D x 12-1/8" H
Finish	Stainless Steel
Fan Speeds (CFM)	375; 640; 940; 1200
Duct Size	8"
Min. Ceiling Height	7-1/2' (Electric) / 8' (Gas)
Max Ceiling Height	10'
Sones (High Speed)	13
Sones (Working Speed)	3.0
Grease Filter	Stainless Steel Baffle (3)
Controls	Retractable Rotating Knobs w/ White Backlight
Lighting	2 White LEDs (540 Lumen)





Accessories

Accessory Model Number	Accessory Description
AARHA01A	Chimney Extension (Reaches 13' ceilings)
AARHA02A	Chimney Extension (Reaches 11' 4" ceilings)
AARHA03A	Recirculation Duct Cover
AARHA04A	Recirculation Deflector (6" round)
AARHA05A	Recirculation Deflector (8" round)
AARHA06A	Recirculation Filters (Contains 4 round carbon filters)
AARHA10A	6" Round Transition Reducer (Reduces from 8" to 6") (600 CFM Only)