

15-Inch Dual Zone Undercounter Wine Refrigerator, Stainless Steel Door

Features

- 23 bottle capacity built-in dual zone wine refrigerator
- White, blue and amber interior LED lighting options
- Seamless, stainless steel trimmed glass door
- UV-resistant glass door with low-e, double-panes, and argon gas between the two panes
- Touch panel with digital controls
- Wooden shelves with stainless steel trim
- Added security with a door lock
- Sabbath mode
- Energy Star rated

Warranty

- One (1) year parts and labor
- Five (5) years compressor (part only)



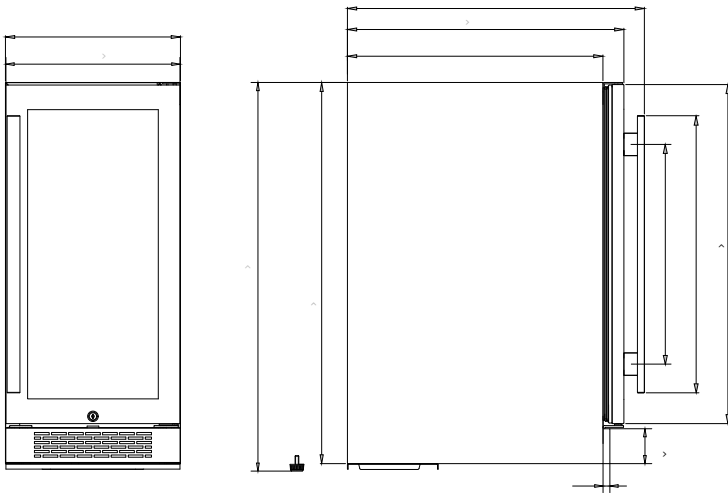
Model Details

Model	Voltage	Door Swing	Finish
AWC152DZLH	115V	Left Hinge	Stainless Steel
AWC152DZRH	115V	Right Hinge	Stainless Steel

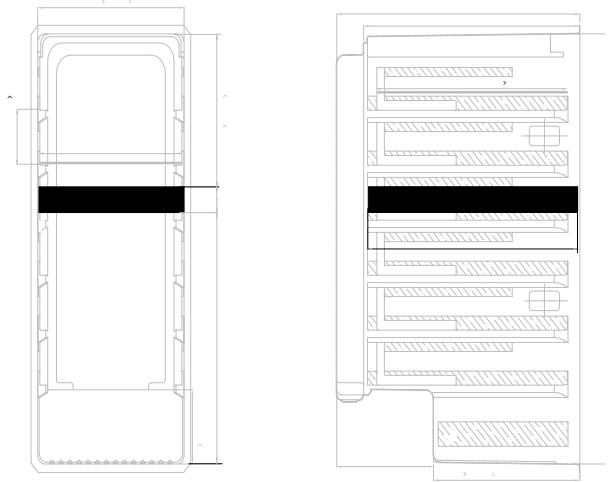
Accessories

Model	Description	Finish
PCWRFILTER	Replacement Carbon Filter	Gray

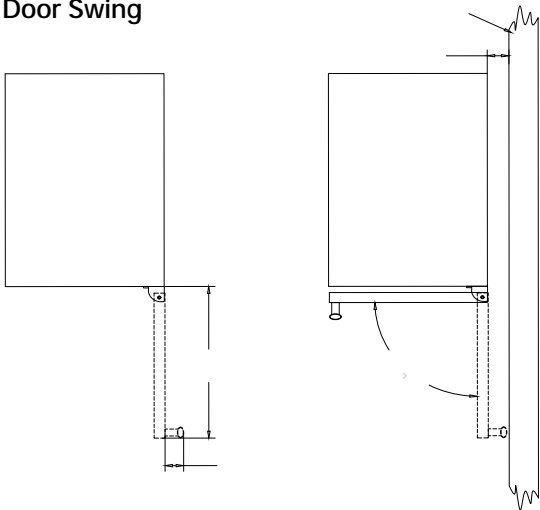
Exterior Dimensions



Interior Dimensions



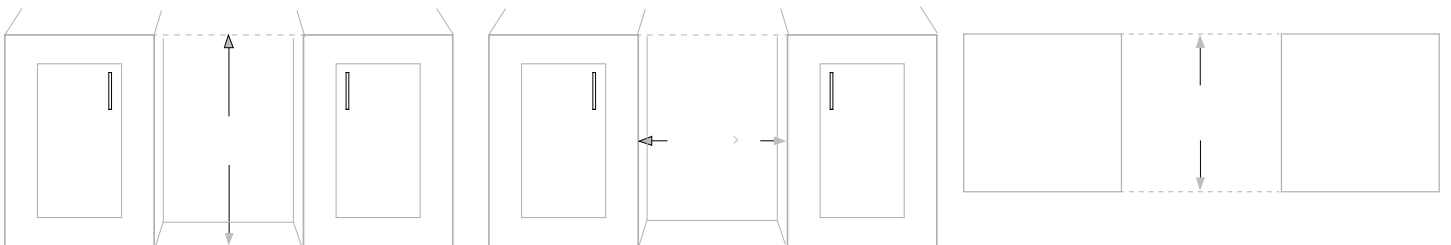
Door Swing



Specifications

Model#	AWC152DZ
Capacity (750 mL Wine Bottles)—Upper Zone	8
Capacity (750 mL Wine Bottles)—Lower Zone	15
Product Depth	23-7/16"
Product Depth with Handle	25-1/4"
Product Height	34-1/8"
Product Width	15"
Product Weight	95 lbs.
Refrigerant Type	R600a
Temperature Range	40°F - 65°F
Power Cord Length	6'
Amps	1.5
Electric Supply	115 VAC, 60 Hz

Cutout dimensions



Note: Dimensions in parentheses are in millimeters. Specifications are subject to change without notice. Visit Avallon.com for the latest information.