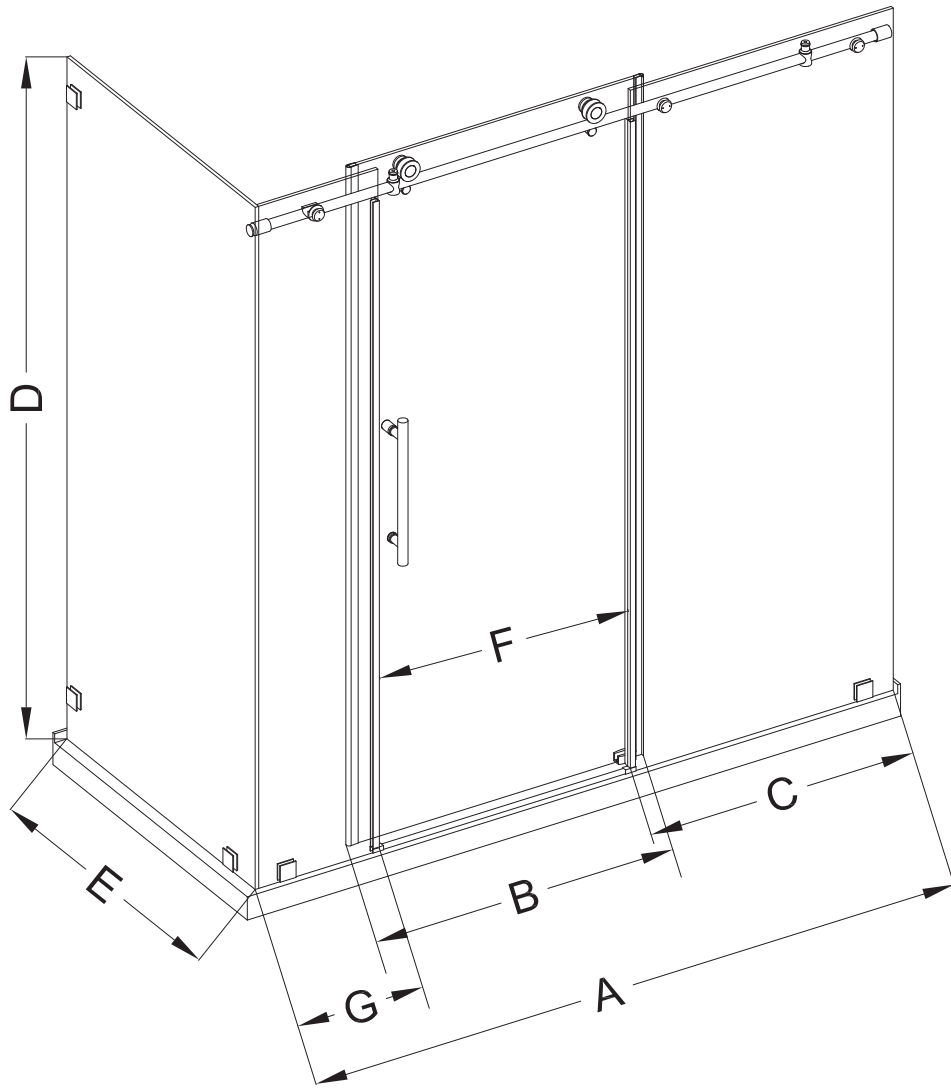


Aston Coraline SEN984-72



MODEL	WALL OPENING (A)	DOOR PANEL (B)	FIXED PANEL (C)	HEIGHT (D)	RETURN PANEL (E)	ENTRY OPENING (F)	FIXED PANEL (G)
SEN984-48-10	44" - 48"	26 3/8"	23 1/4"	76"	33 7/8"	17 1/4" - 21 1/4"	N/A
SEN984-60-10	56" - 60"	32 11/16"	29 1/2"	76"	33 7/8"	23" - 27"	N/A
SEN984-72-10	68" - 72"	32 11/16"	29 1/2"	76"	33 7/8"	23" - 27"	13 3/8"



POLISHED CHROME



STAINLESS STEEL



OIL RUBBED BRONZE



FROSTED GLASS



CLEAR GLASS



CH CHROME HARDWARE

SS STAINLESS STEEL HARDWARE

ORB OIL RUBBED BRONZE HARDWARE



REVERSIBLE DOOR

ASTON
STARCAST
FROM **EnduroShield**

ASTON
ESCAPE THE EVERYDAY