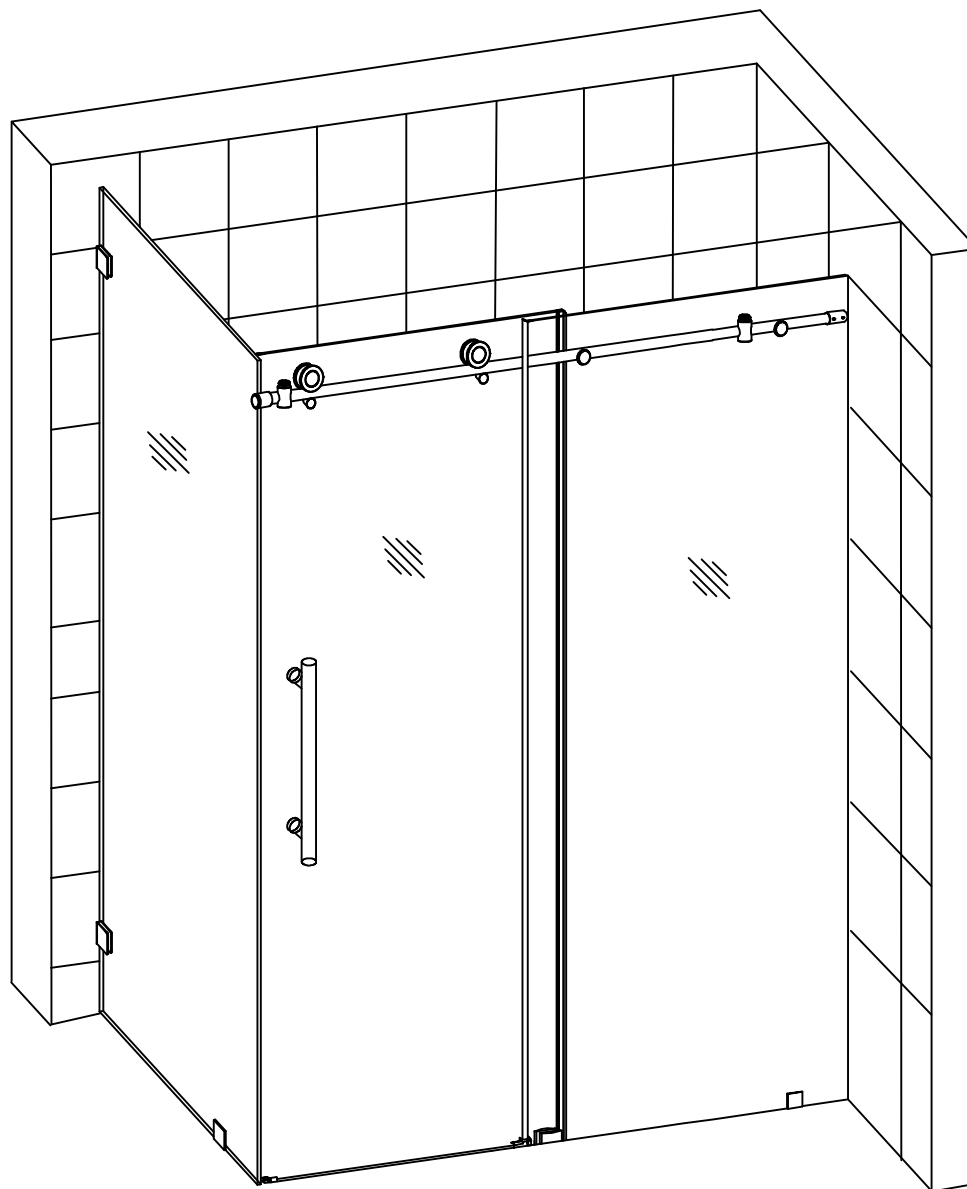




INSTALLATION AND OWNER'S MANUAL



Shower Door Model Number: SEN984.00-60

Please carefully read these instructions before you begin to install the products.

IMPORTANT:

ASTON reserves the right to alter, modify or redesign products at any time without prior notice. For the latest up-to-date technical drawings, manuals, warranty information or any other details, please refer to the HYPERLINK <http://www.astonbath.com/> www.astonbath.com

P/N:SEN984.00-60

Before you start

Thank you for purchasing our shower enclosure. We hope it will provide you with years of satisfying use and enjoyment.

Please read this manual carefully because it contains information and instructions about the proper installation of the unit. If you do not follow certain conditions of installation and maintenance, your warranty may be affected.

1. Inspect boxes for shipping damage. If the product has been damaged, is missing parts, or has a finishing defect, please contact our customer support department within 5 business days of delivery date.
2. NOTE: You should consult your local building codes with questions on installation compliance standards. Plumbing and building codes vary by location.
3. Before installation, inspect installation surfaces or level and have to the strength to support the heavy weight of this shower enclosure assembly. Check the walls are at right angles. Uneven installations surfaces, irregular radius corners or out of plumb side walls will result serious problems for your installation. This Shower Enclosure should only be installed using the connection point to the studs or to pre-installed 2x6 wood reinforcements behind the wall. Never set glass down directly onto a tile floor. Leave corner protectors in place until necessary to remove them. Always use a piece of wood or cardboard to protect the bottom edge and corners of glass prior to and during installation. This door requires a minimum 3-1/16" of flat threshold space for installation.
4. This Shower Door assembly is very heavy. Professional installation is recommended for this shower door.

Shower enclosure's feature:

- Tempered Safety Glass
- High quality hardware
- STARCAST/ EnduroShield glass coating technology

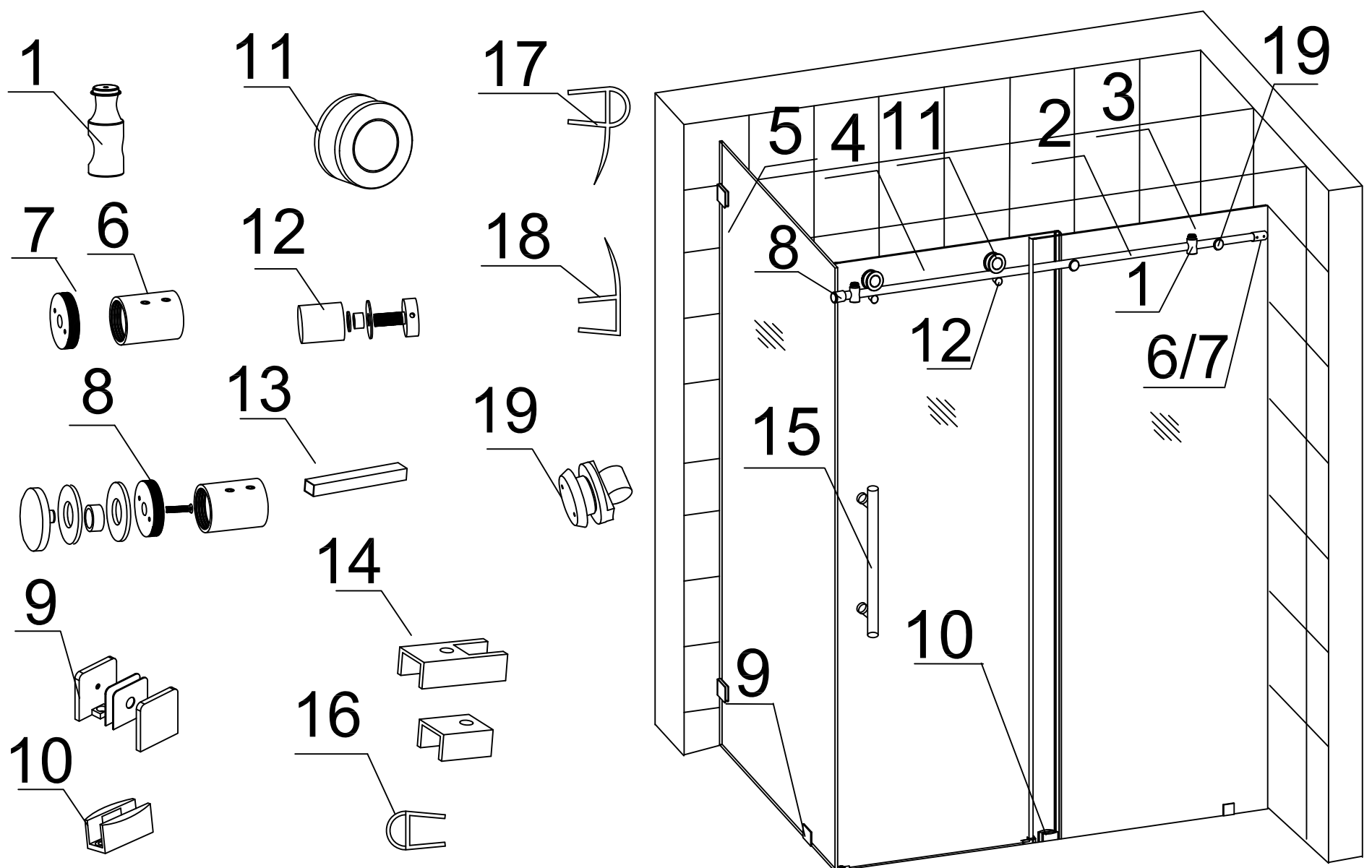
WARNING: This Shower enclosure is designed to be used with tiled walls. If you are using a pre-made Acrylic/ABS/FRP shower stall that will be thicker than average plus tile, then you must consider the offset of the pre-made panel thickness. If applicable, the shower tray has 1/4" of tolerance for the oversized wall thickness.

Certifications:

All Shower enclosures are 3rd party tested to meet the following US, Canadian and International Standards:

- CPSC 16 CFR1201 II / ANSI Z97.1 - 2009 Class A
- CSA B45 Series - 02

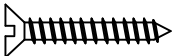
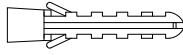
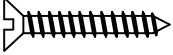
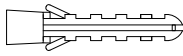
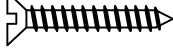
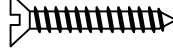



Detailed Diagram of Shower Door Components



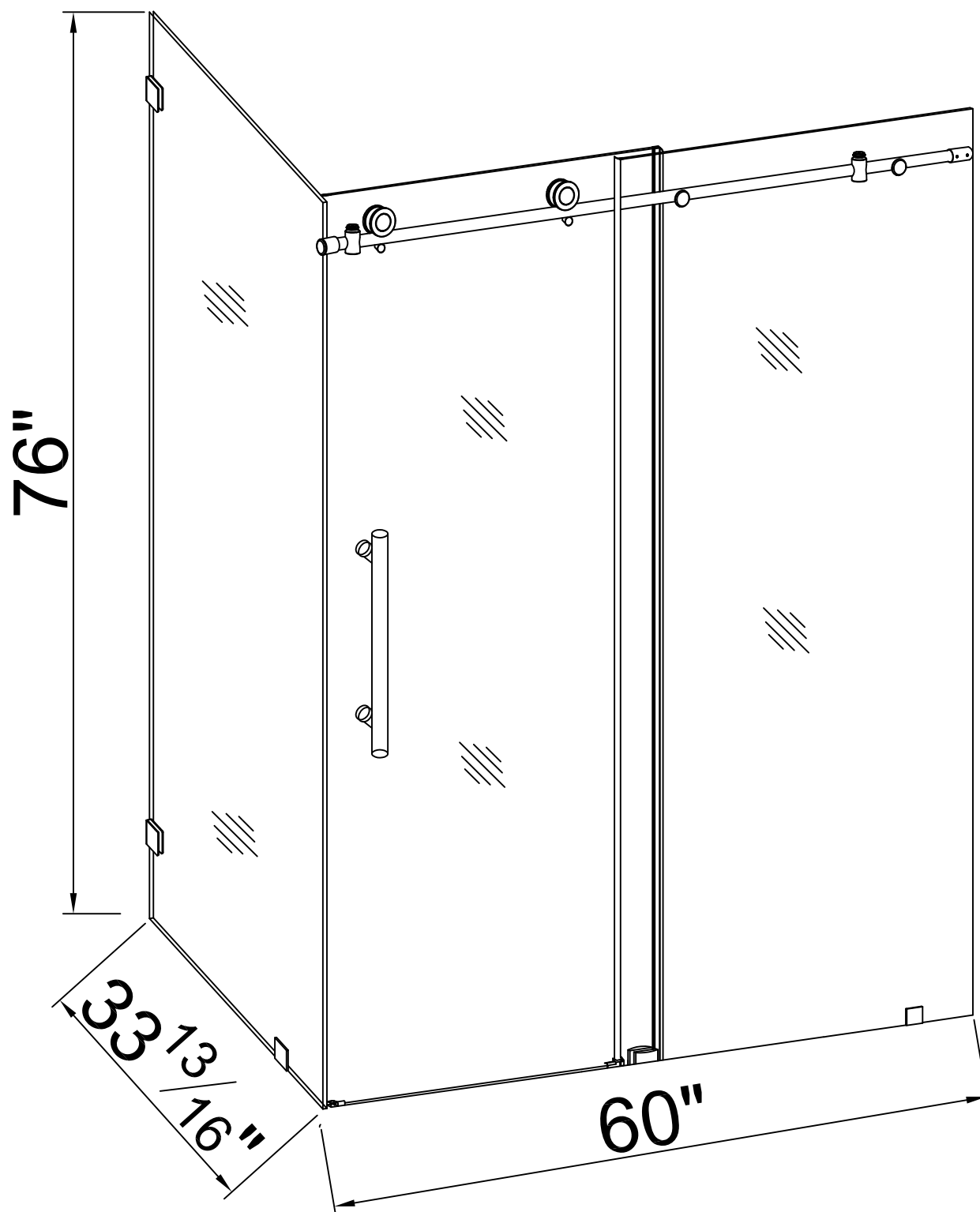
Key Number	Description	QTY	Key Number	Description	QTY
1	Door Stopper	2	13	Door Threshold	1
2	Top Rail	1	14	Door Threshold End Cap	2
3	Fixed Glass	1	15	Door Handle	1
4	Sliding Door	1	16	Door Seal	1
5	Return Glass Panel	1	17	Door Seal	1
6	Rail End	1	18	Door Seal	1
7	Wall Mount	1	19	Fixed Glass Bolt Assembly	2
8	Rail Mount Assembly	1	20	Screw Pack 1	1
9	Glass Clamp	4	21	Screw Pack 2	1
10	Sliding Door Track Divider	1	22	Screw Pack 3	1
11	Upper Roller Assembly	2	23	Screw Pack 4	1
12	Bottom Roller Guide Assembly	2			

PLEASE NOTE: During unpacking carefully inspect all parts and use the exploded view drawing to identify all parts in the parts listing. Before discarding the packaging check for any parts or small hardware bags that may have been overlooked.

SUPPLIED HARDWARE

SCREW PACK (1)	M4x40		3
	Anchor		3
SCREW PACK (2)	M4x40		1
	Anchor		2
	M5x40		1
SCREW PACK (3)	M4x40		2
	Anchor		2
SCREW PACK (4)	M4x40		2
	Anchor		2

SUPPLIED PARTS

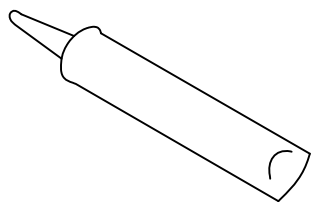


Installation Guide

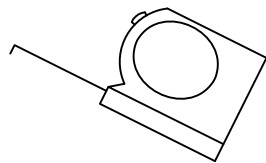
Please read and follow the installation instructions and guidelines in this section. Failure to follow the recommended instructions and installation techniques may lead to possible damage to the unit or the surrounding area. This can affect warranty claims.

ATTENTION: This unit requires assembly. A minimum of two people are required for assembly, as several of the sections can be large and unstable until assembled.

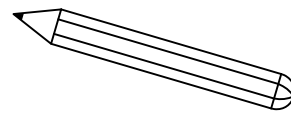
You will need the following tools:



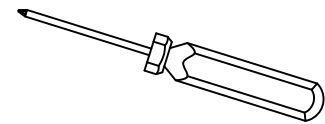
Caulk



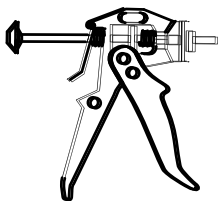
Tape Measure



Pencil



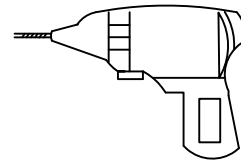
Phillips Screwdriver



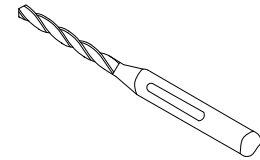
Silicone



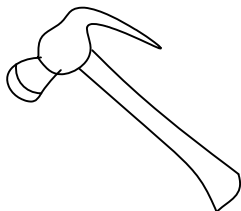
Level



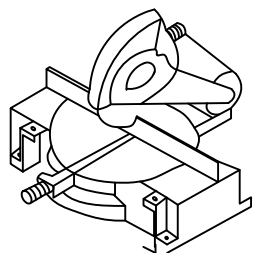
Electric Drill



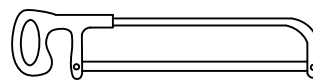
Drill bit ($\varnothing 5/16"$)



Hammer



Chop saw or Hacksaw



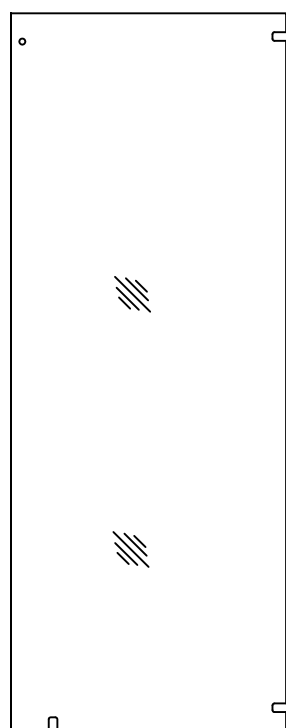
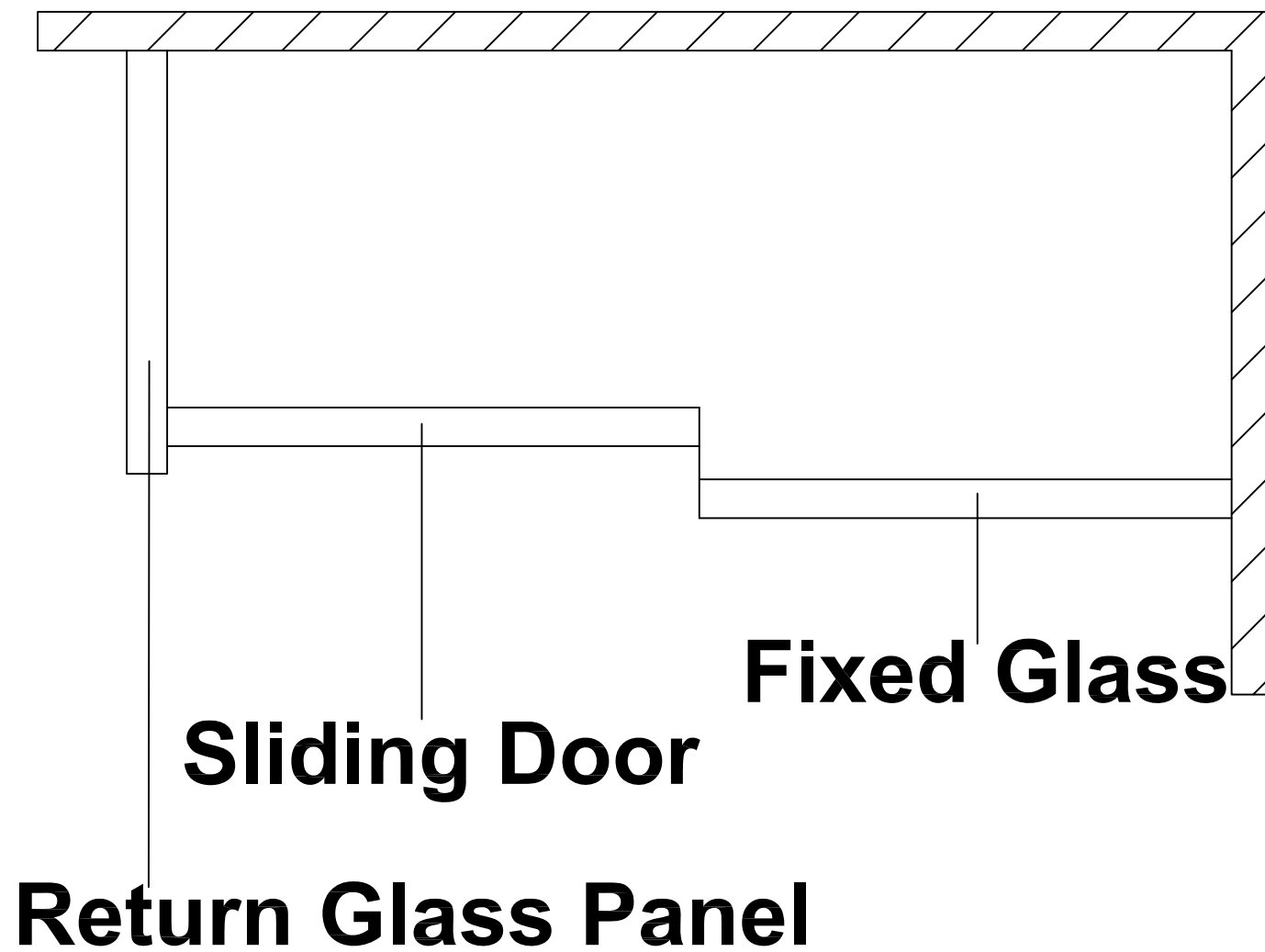
Razor Knife

Locate the accessory box and remove the individual screw and hardware packages. Lay them out in sequential order to aid in completing the rest of the installation.

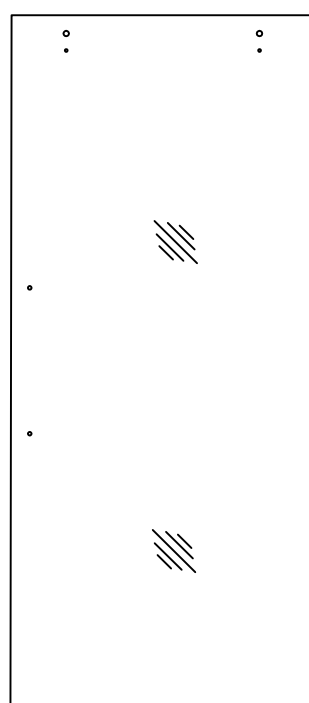
Reverse Door opening

This shower door can be assembled so that the sliding door opens from Left to Right, or Right to Left. The drawings below illustrate the shower door opening from Left to Right.

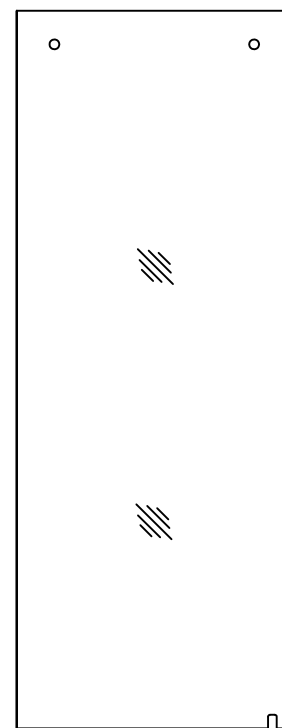
Note the location of the fixed glass panel and return glass panel for the shower door opening from Left to Right.



Return Glass Panel



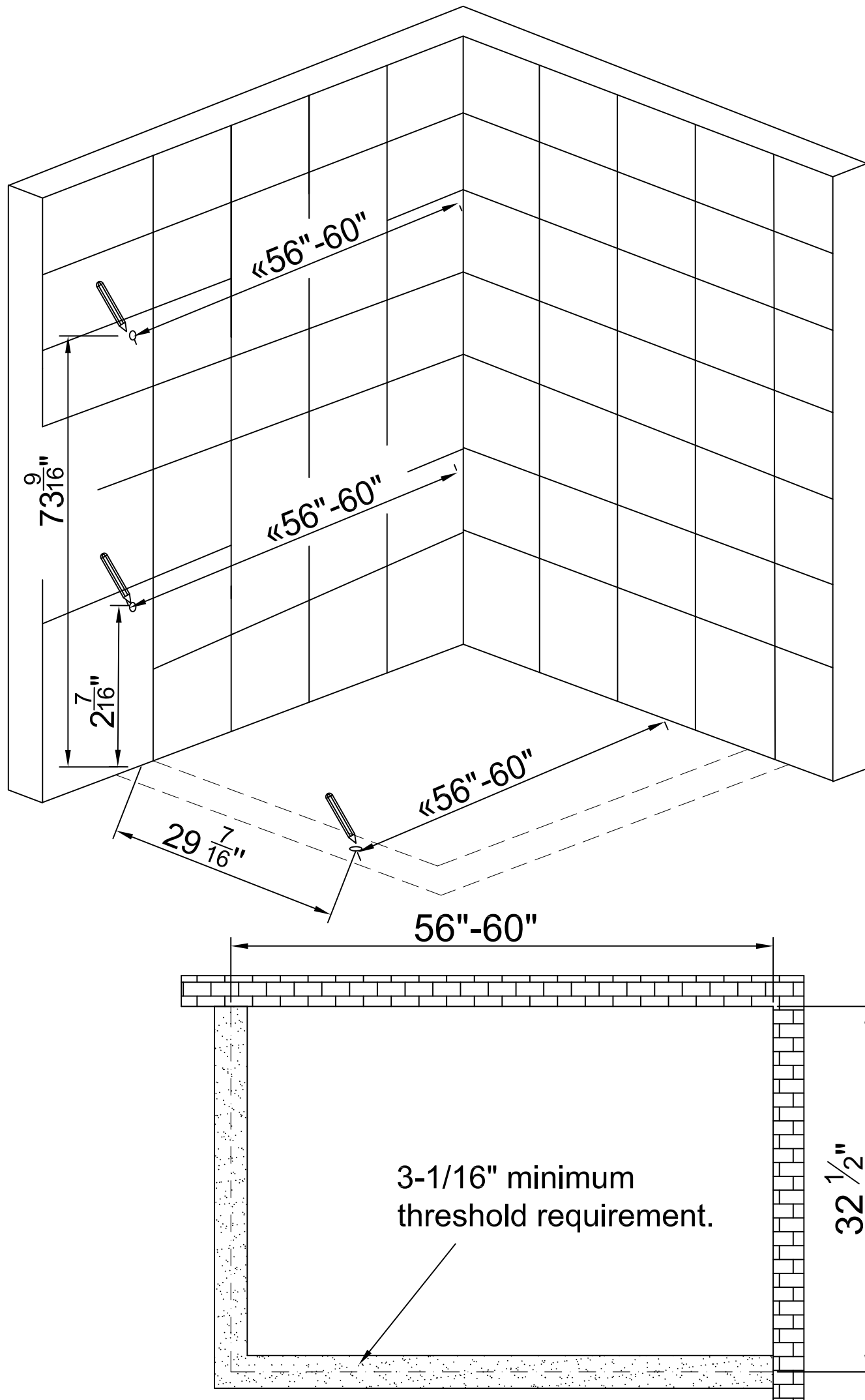
Sliding Door



Fixed Glass

If your project requires the door to open from the opposite direction, flip the top rail installation so that the Return Glass Panel (5) is on the right when installed.

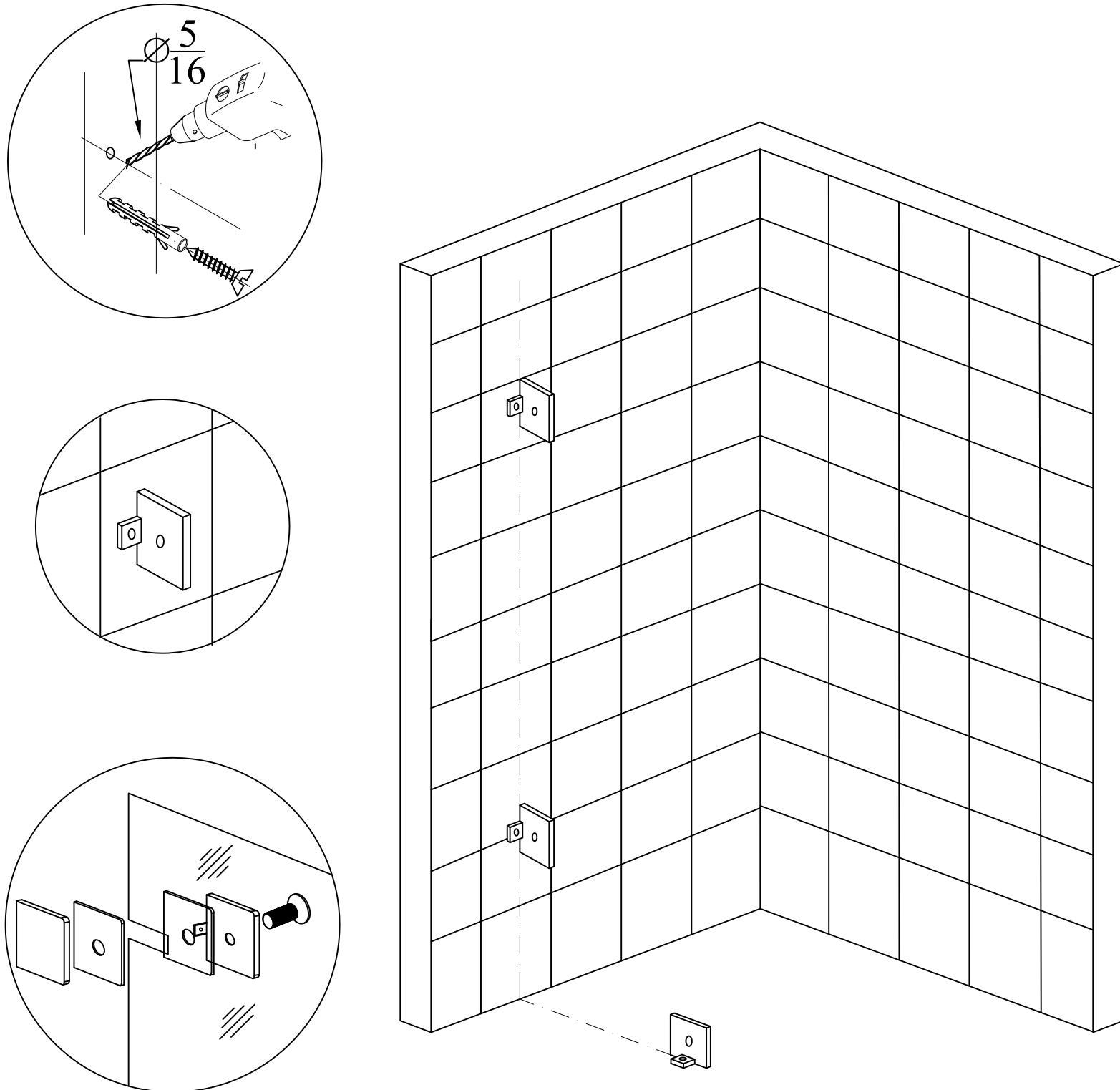
Shower Enclosure Plan



Install all of the wall material or materials you intend to use before installing the glass clamps and return glass panel, this includes all moisture resistant wall board or rock board, tile, stone or other wall covering.

Refer to the drawing above and measure and mark the shower wall and floor for drilling locations to attach glass clamps.

Installation of return glass panel and glass clamps

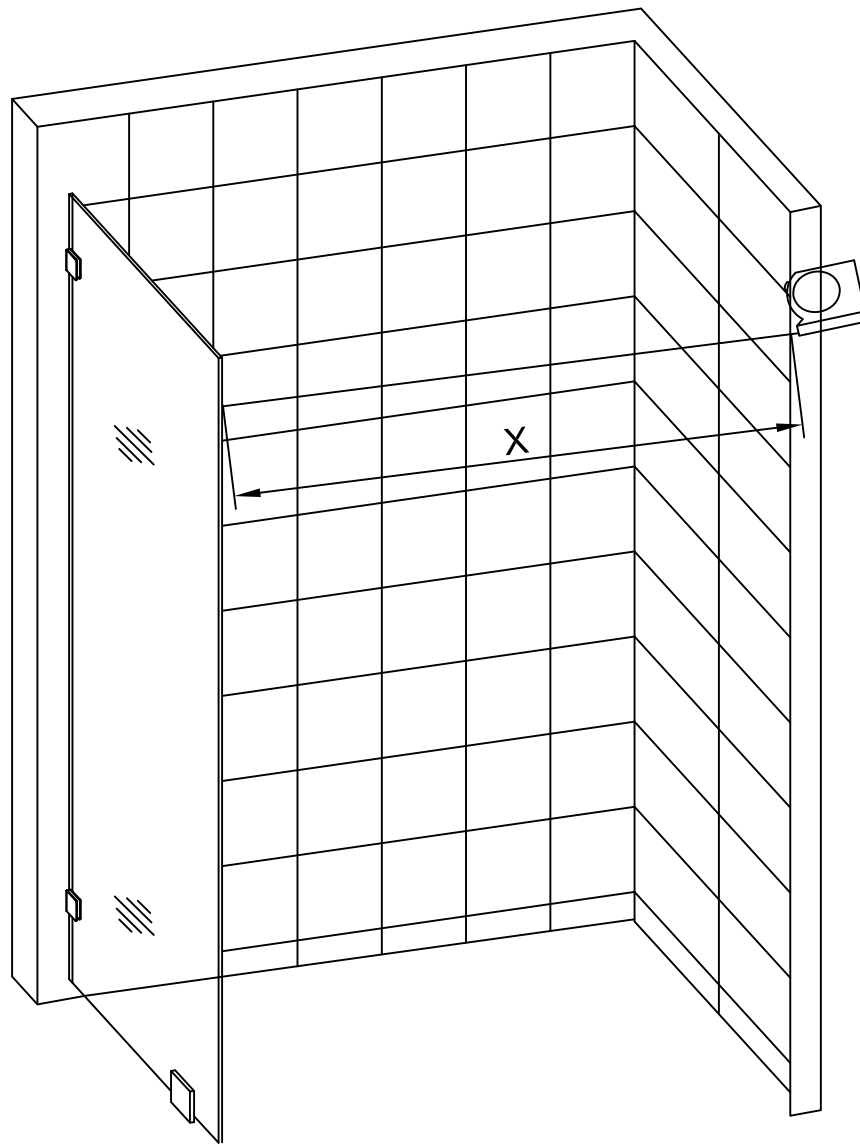


Using the appropriate drill bit for your wall and floor surface drill each hole location with a 5/16" diameter drill bit. Install the plastic wall anchors provided into the drilled holes

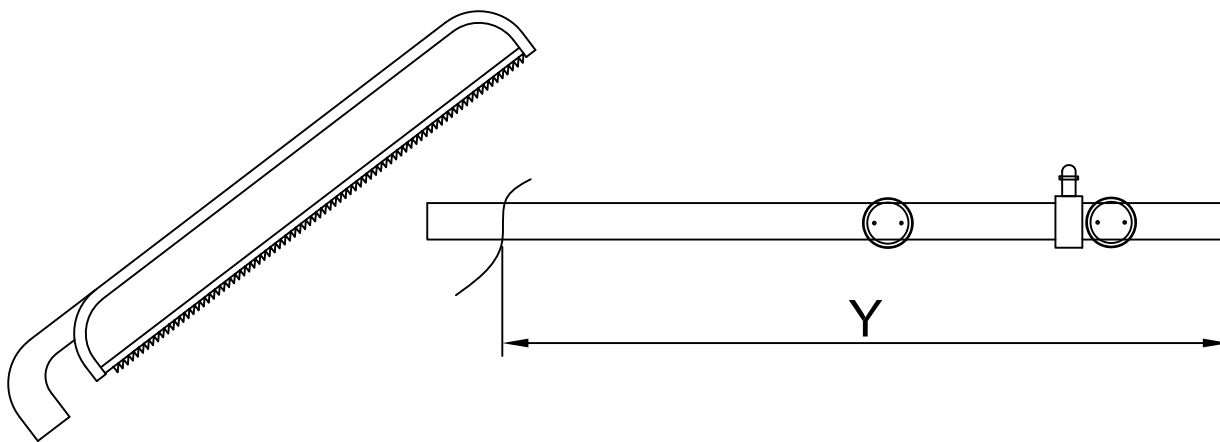
NOTE: If your surface is prone to cracking or chipping then it is recommended that you pilot drill first using a smaller drill bit, and then step up to the final size.

Using screw pack (1) attach the glass clamps (9) to wall and shower floor using M4x40 screws. Screw Pack 1. The glass clamps (9) should be positioned so that the single hole is facing toward the inside of shower.

Sliding Door Installation



1. Measure the width of the shower opening at the top between the fixed glass and the wall. Note this is dimension "X".



2. The following equation is used to determine the length to be cut from the rail in order to fit the shower opening.

$$Y = X - 1/2"$$

3. Measure distance "Y" from the end of Top Rail (2) with pre-assembled hardware mark the top rail.

NOTE: Do not cut the end of top rail with pre-assembled hardware. Only cut the end of top rail opposite the pre-assembled hardware.

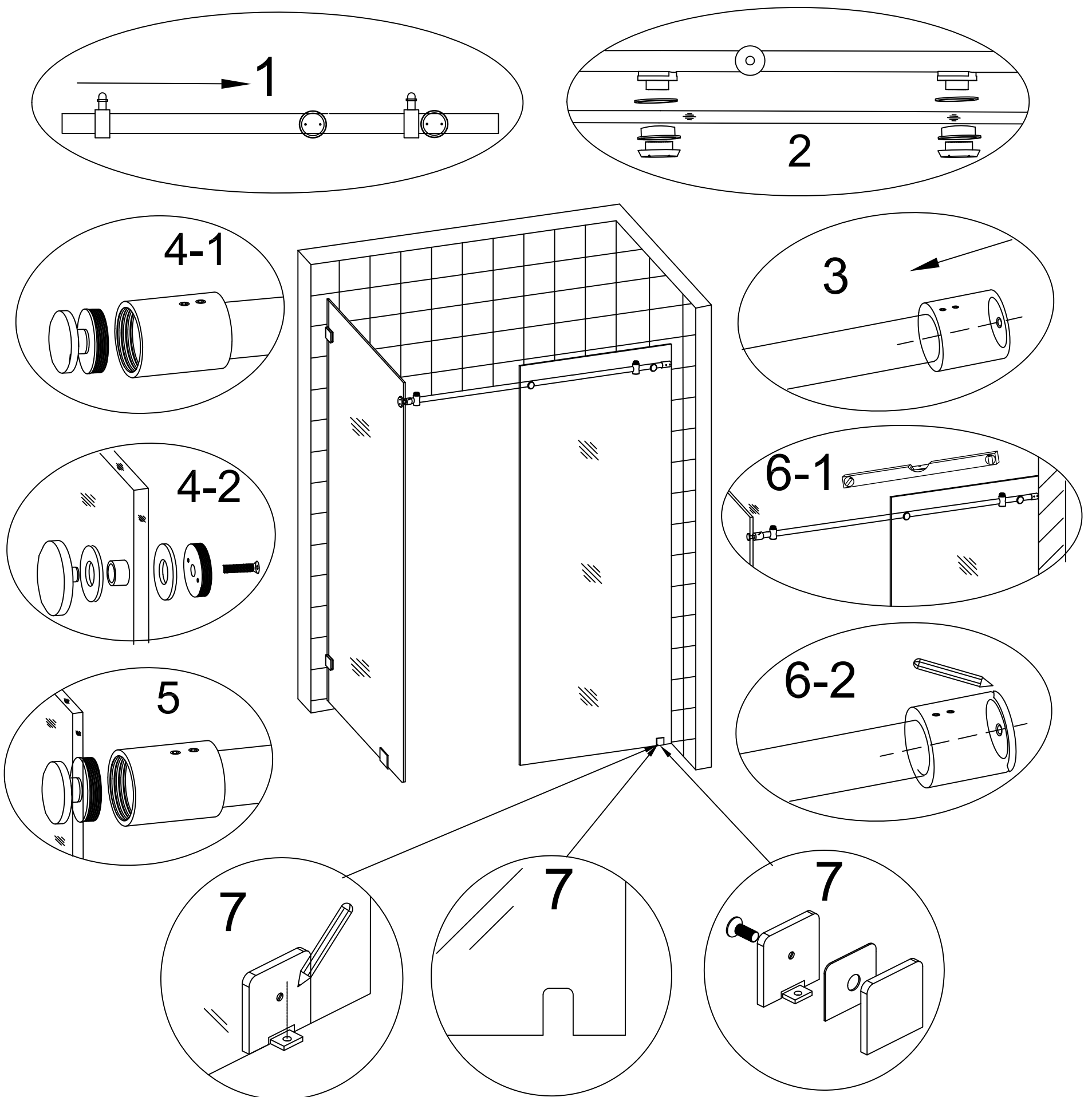
4. Using a chop saw or hacksaw cut the Top Rail (2) at the mark. Carefully remove any burrs or sharp edges remaining on Top Rail (2) after the cutting.

Fixed Glass Panel Assembly

ATTENTION: A minimum of two people are required for the next assembly steps.

Attach the top rail (2) to the fixed glass (3) to locate the mounting point on the shower wall.

Painters tape or masking tape in the general location of the of the final installation will aid in marking the wall and floor.



1. Slide door stopper (1) onto end of top rail (2) See figure 1. The bumpers on door stopper (1) should be positioned on the top of top rail for final installation. Note: One door stopper comes pre-assembled on top rail between fixed glass bolt assembly. See figure 1.

This model is treated with Aston's STARCAST/Enduro Shield Glass technology. The Glass door should be installed so that the Enduro Shield label is to the outside of shower (coated glass surface to inside of shower.) The Fixed glass panel and Return glass panel are treated on both sides of glass to allow the this product to be installed for a Left or Right hand door installations.

2. Position the top rail (2) and fixed glass (3) as shown in figure 2 and connect fixed glass (3) to top rail (2) following the assembly sequence shown in figure 2. Note in figure 2, one door stopper (1) should be positioned between mounting holes in top rail (2) before connecting top rail to fixed glass.

NOTE: TOP RAIL IS ATTACHED TO THE INSIDE OF FIXED GLASS.

3. Slide the rail end assembly (6) onto end of top rail (2) to be connected shower wall. Loosely tighten the rail end assembly (6) into place on top rail (2) making sure the rail end assembly is fully engaged on top rail. See figure 3.
4. Locate the rail mount assembly (8) and remove the stainless steel fitting and glass connector parts from the metal sleeve. Loosen the set screws in metal sleeve and slide onto end of top rail (2) making sure the end of sleeve which is threaded is facing toward end of top rail. Loosely tighten set screws in metal sleeve to secure. See figure 4-1

Next assemble the stainless steel fitting and glass connector parts to top hole in return glass panel (5), following the assembly sequence shown in 4-2. The stainless steel fitting should be positioned to the inside of return glass panel (5) when complete.

5. Position the top rail / fixed glass assembly into place in your shower. Loosen the set screws in rail mount (8) next to glass panel (5). Next connect rail mount (8) to stainless steel fitting by threading rail mount and stainless steel fitting together and tighten into place. Tighten set screws in rail mount to secure to top rail (2). See figure 5.

NOTE: THE TOP RAIL ATTACHED TO FIXED GLASS SHOULD BE POSITIONED TO INSIDE OF SHOWER.

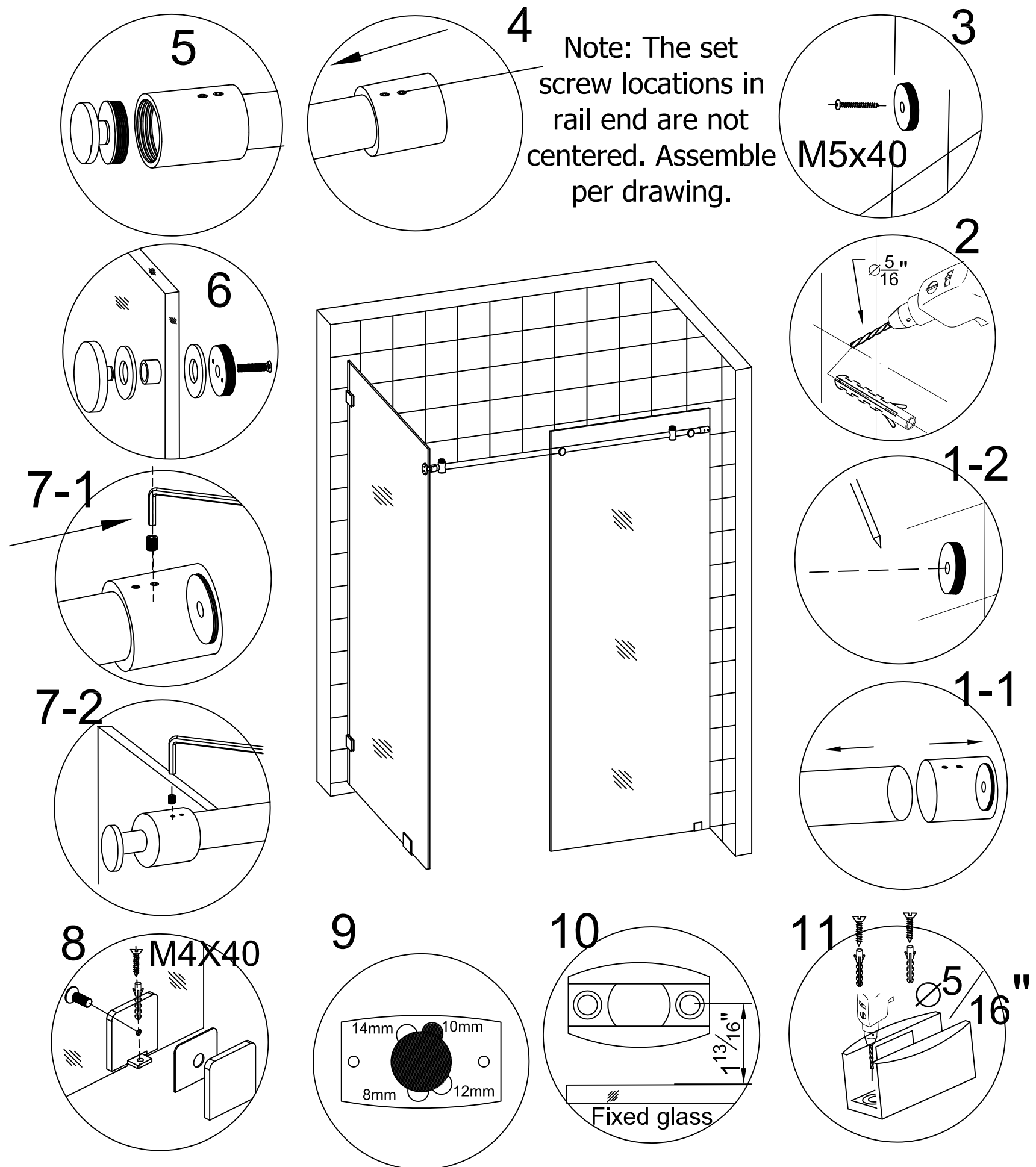
6. Using a level, verify the top rail (2) is horizontal and the fixed glass (3) is plumb, mark the rail end (6) location on wall. See figure 6-2

7. Remove pre-installed screw from pre-assembled glass clamp (9). Position the side of the glass clamp (9) with shower base mounting hole on the shower base and align with large hole opening on bottom of fixed glass (3). Mark the mounting hole of glass clamp (9) at this position. See figure 7

NOTE: If your surface is prone to cracking or chipping then it is recommended that you pilot drill first using a smaller drill bit, and then step up to the final size.

8. Using the appropriate drill bit for your tray surface drill hole locations with 1/8" diameter drill bit.

Top Rail Assembly



1. Loosen set screws in rail end (6) and remove from top rail (2). See figure 1-1. Next remove wall mount (7) from rail end (6). Position wall mount (7) onto marked location on shower wall and mark pilot hole drilling location. See figure 1-2

NOTE: If your surface is prone to cracking or chipping then it is recommended that you pilot drill first using a smaller drill bit, and then step up to the final size.

2. Using the appropriate drill bit for your wall surface drill the hole location with a 5/16" diameter drill bit. Install the plastic anchors from screw pack 2 into the drilled hole. See figure 2.
3. Attach the wall mount (7) to shower wall using M5 x 40 screw from screw pack 2. See figure 3.
4. Position glass clamp (9) on floor and attach to floor using M4 x 40 screw from screw pack 2. The glass clamp should be positioned so the single hole is facing toward the inside of shower. See figure 8.
5. Slide rail end (6) onto top rail (2) and loosely tighten into place. Note: The set screws in rail end are not centered, and one end of rail end is threaded. The rail end (6) should be installed on top rail (2) so that threaded end of rail end (6) is facing outward. See figure 4.
6. Loosen set screws in rail mount receiver (8) and slide onto left end of top rail (2). See figure 5.

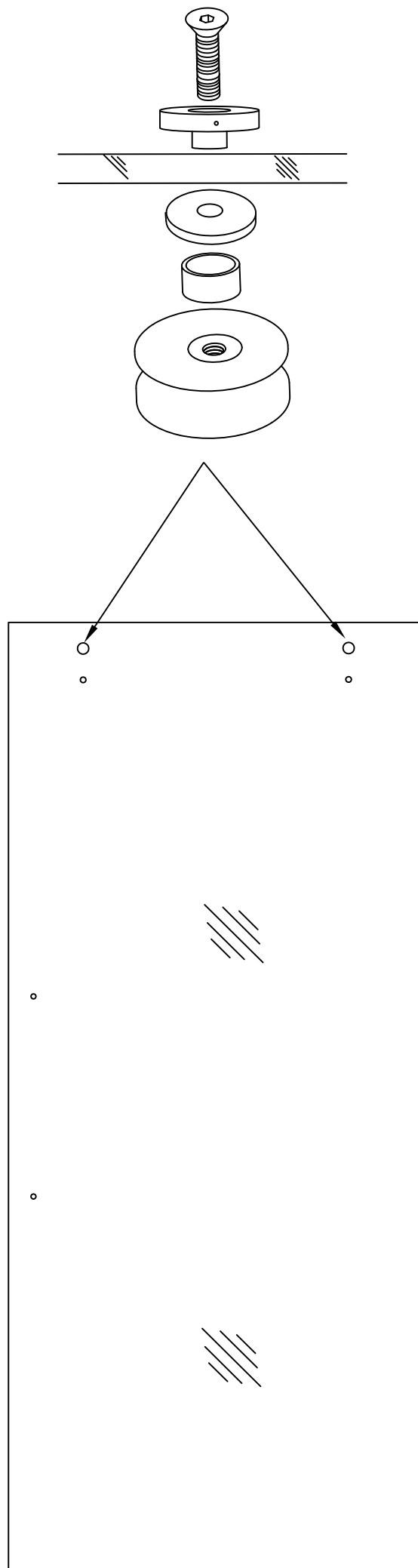
ATTENTION: A minimum of two people are required for the next assembly steps.

7. Position top rail / fixed glass assembly into place in your shower opening. Next align rail mount receiver (8) with brass fitting on inside of return glass panel (5), and secure by tightening the rail mount receiver to brass fitting. Tighten set screws in rail mount receiver (8) to secure to top rail (2) See figure 5 and 7-2.
8. Thread rail end (6) onto wall mount (7) and securely tighten. Tighten set screws in rail end (6) to secure rail end to top rail (2). See figure 7-2.
9. Install glass clamp (9) to fixed glass (3). See figure 8 for details. Smooth flat surface of glass clamp (9) should be installed on outside of fixed glass (3).
10. Insure plastic sliding door glide is in place in underside of sliding door track divider (10) and positioned to proper location for 10mm glass thickness. See figure 9.
11. Position the sliding door track divider (10) into position as seen in figure 10 and mark the 2 shower base hole positions. **Note: In drawing 10 the hole locations for attaching sliding door track divider should be 1 13/16" from edge of fixed glass. See details in figure 10.**

NOTE: If your surface is prone to cracking or chipping then it is recommended that you pilot drill first using a smaller drill bit, and then step up to the final size.

12. Using the appropriate drill bit for your floor surface drill hole locations with 5/16" diameter drill bit and install the plastic anchors from screw pack 3 into the drilled hole. Position the sliding door track divider (10) over drilled holes on floor, and secure sliding door track divider (10) to floor using hardware in screw pack 3. See figure 11.

Shower Door Assembly



Assemble the upper roller assemblies (11) onto sliding door (4) as shown in figure.

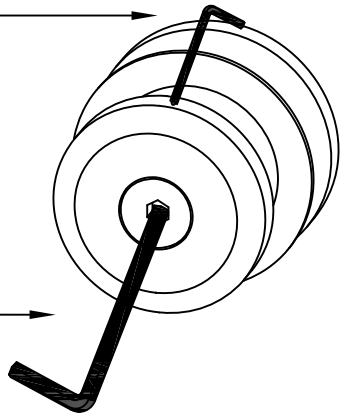
Note: The door handle mounting holes should be positioned to left. The upper roller assemblies (11) will be on the outside of sliding door (4). The sliding door should be to the inside of shower area.

Shower Door Installation

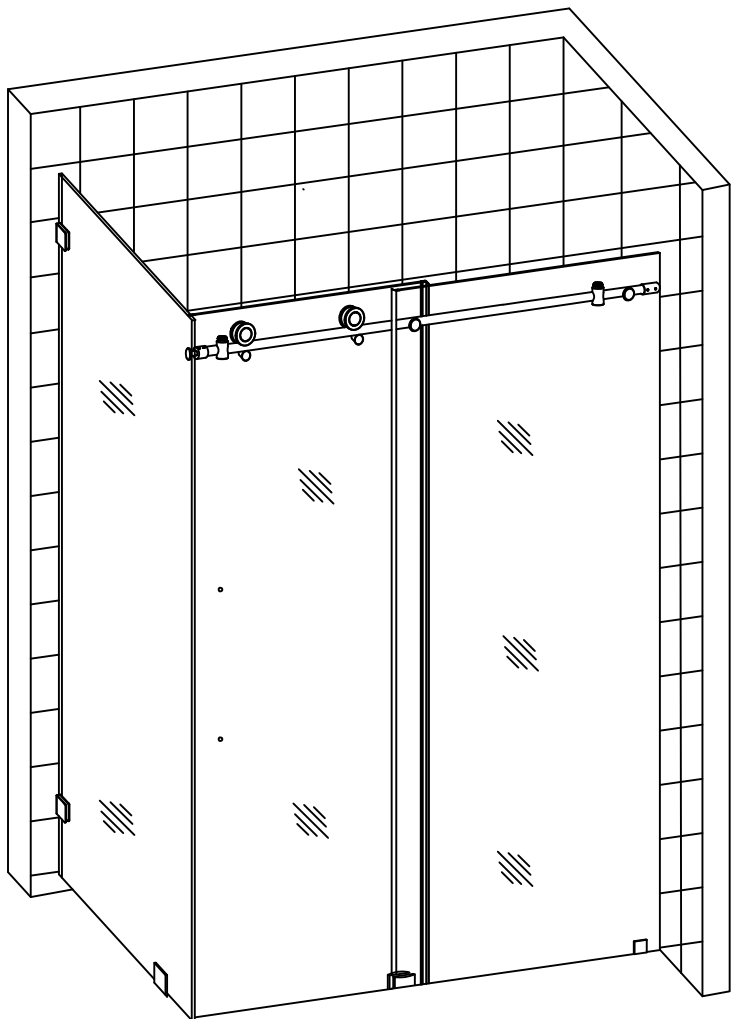
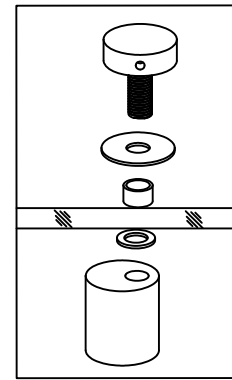
UPPER ROLLER CAM ADJUSTMENT

Rotate the outer edge of roller assembly using the small hex,

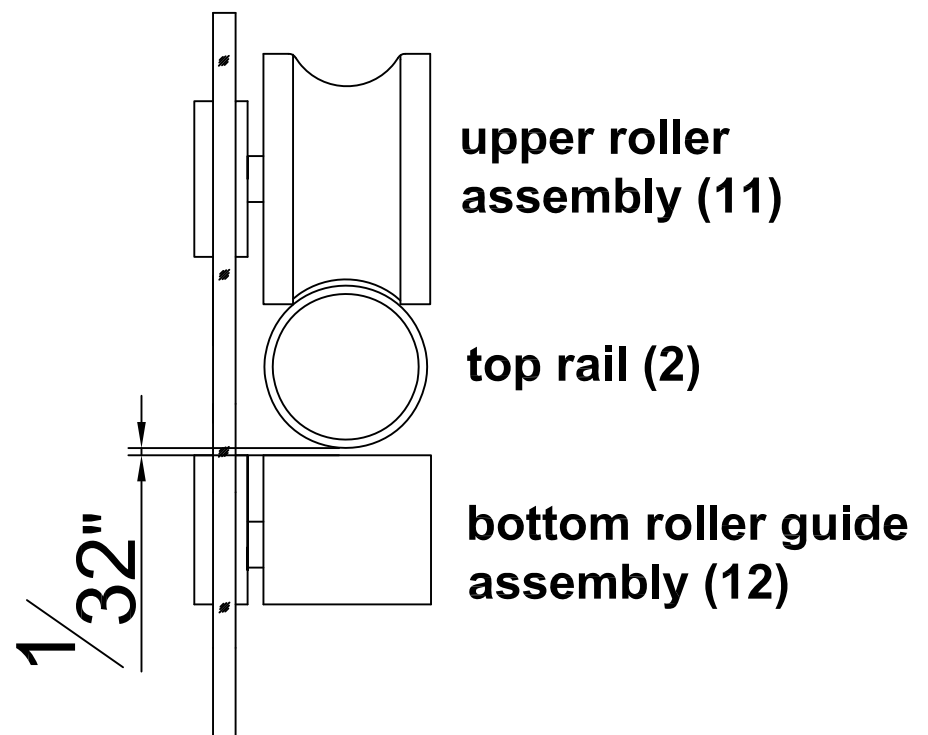
while holding the large hex wrench in place.



Bottom Roller Guide Assemblies



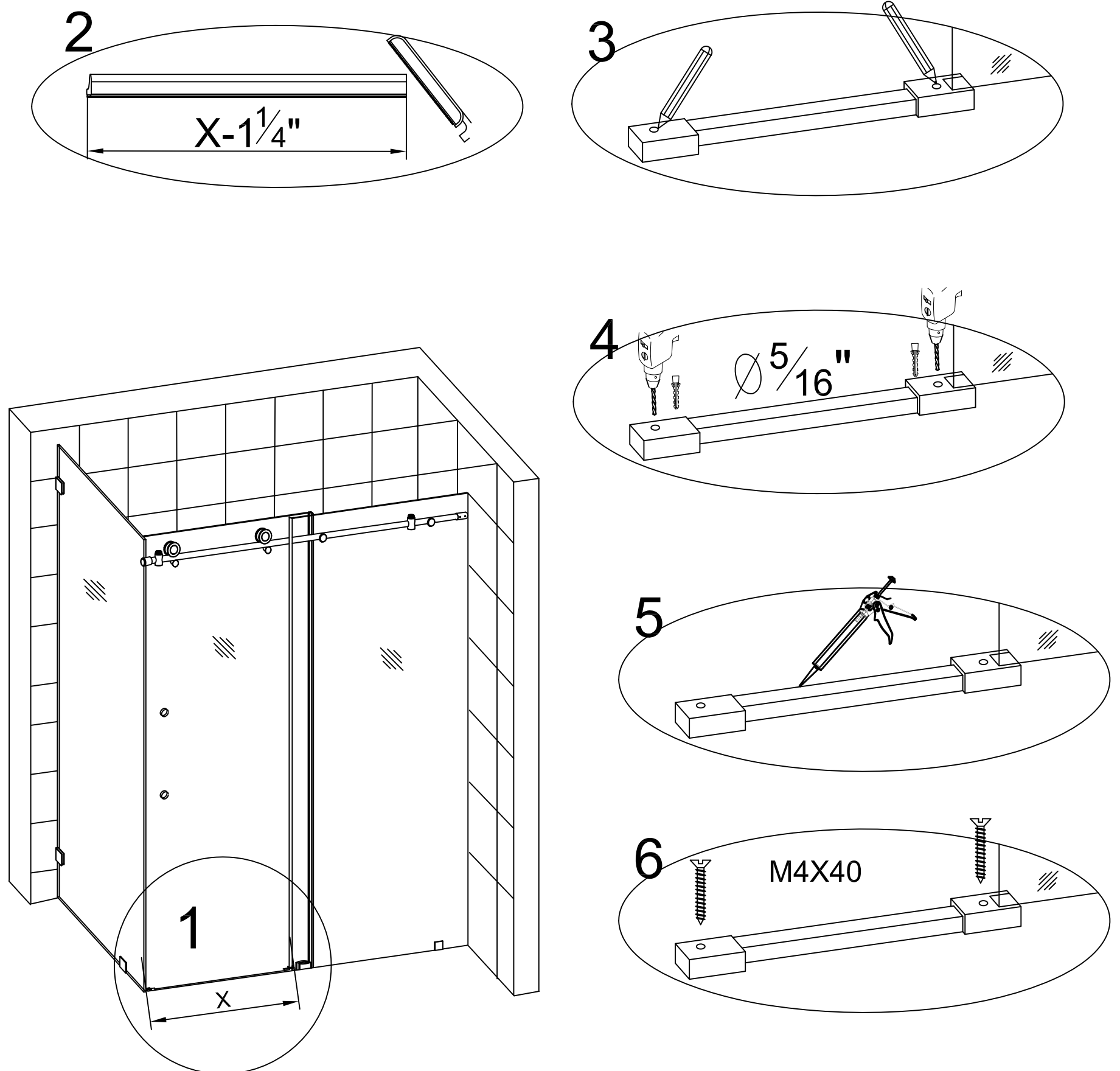
End View



Suspend the sliding door (4) on the top rail (2). Position the bottom edge of sliding glass door (4) into the groove of the sliding door track divider (10). Adjust the upper roller assemblies (11) to insure the bottom edge of sliding glass door (4) does not touch the bottom sliding door track divider (10). See roller cam adjustment drawing for details. (The rollers for this unit have a built in cam adjustment to adjust the plumb of sliding door. Locate the small hole in outside edge of roller assembly and insert a small hex wrench into hole opening. Next using the hex wrench for roller assembly slightly loosen the roller wheel assembly. Now holding the hex wrench in place rotate the outer edge of roller assembly using the small hex wrench inserted into small hole opening in outer edge of roller assembly. This will move the roller cam to offset any minor adjustments for sliding door out of plumb. Both upper rollers on this unit can be adjusted as describe above).

Install the bottom roller guide assemblies (12) on the sliding door (4) to secure the sliding glass door (4) to top rail (2). Adjust the bottom roller guide assemblies (12) to a gap of 1/32". This gap is a starting gap, check that the sliding door rolls smoothly along the top rail. Make adjustments if needed.

Threshold Assembly



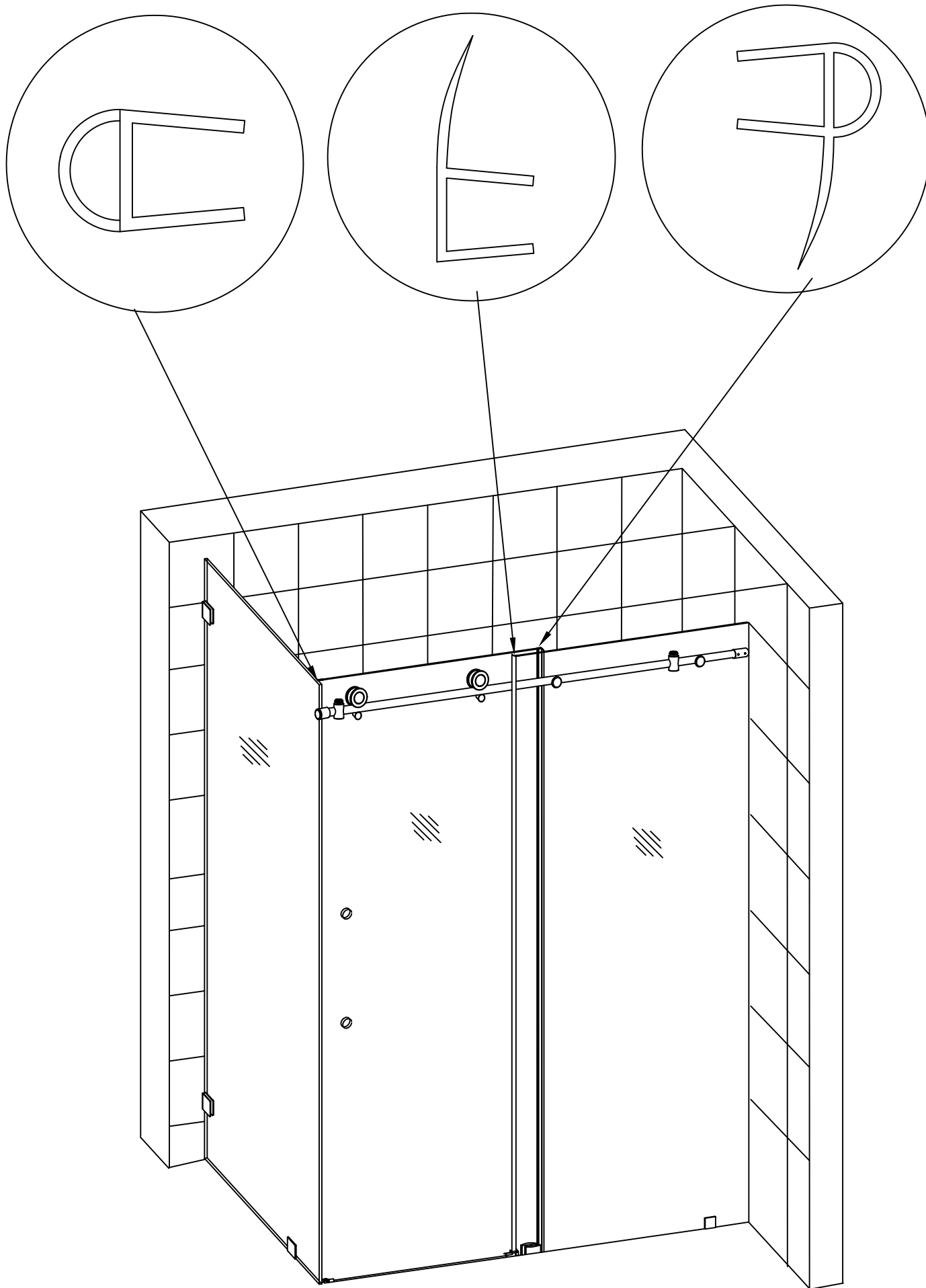
The Door Threshold is used to prevent water from seeping out while bathing. Install the threshold according to these instructions.

1. Measure the distance between the fixed glass (3) and the return glass panel (5). This is distance "X". See figure 1.
2. Cut the threshold bar (13) to to the size of : $(X) - 1\frac{1}{4}"$. Remove any sharp edges or burrs after cutting threshold bar (13). See figure 2
3. Position the threshold bar (13) to floor by aligning in door opening with fixed glass (3). Mark the threshold end cap (14) mounting hole locations. See figure 3

NOTE: If your surface is prone to cracking or chipping then it is recommended that you pilot drill first using a smaller drill bit, and then step up to the final size.

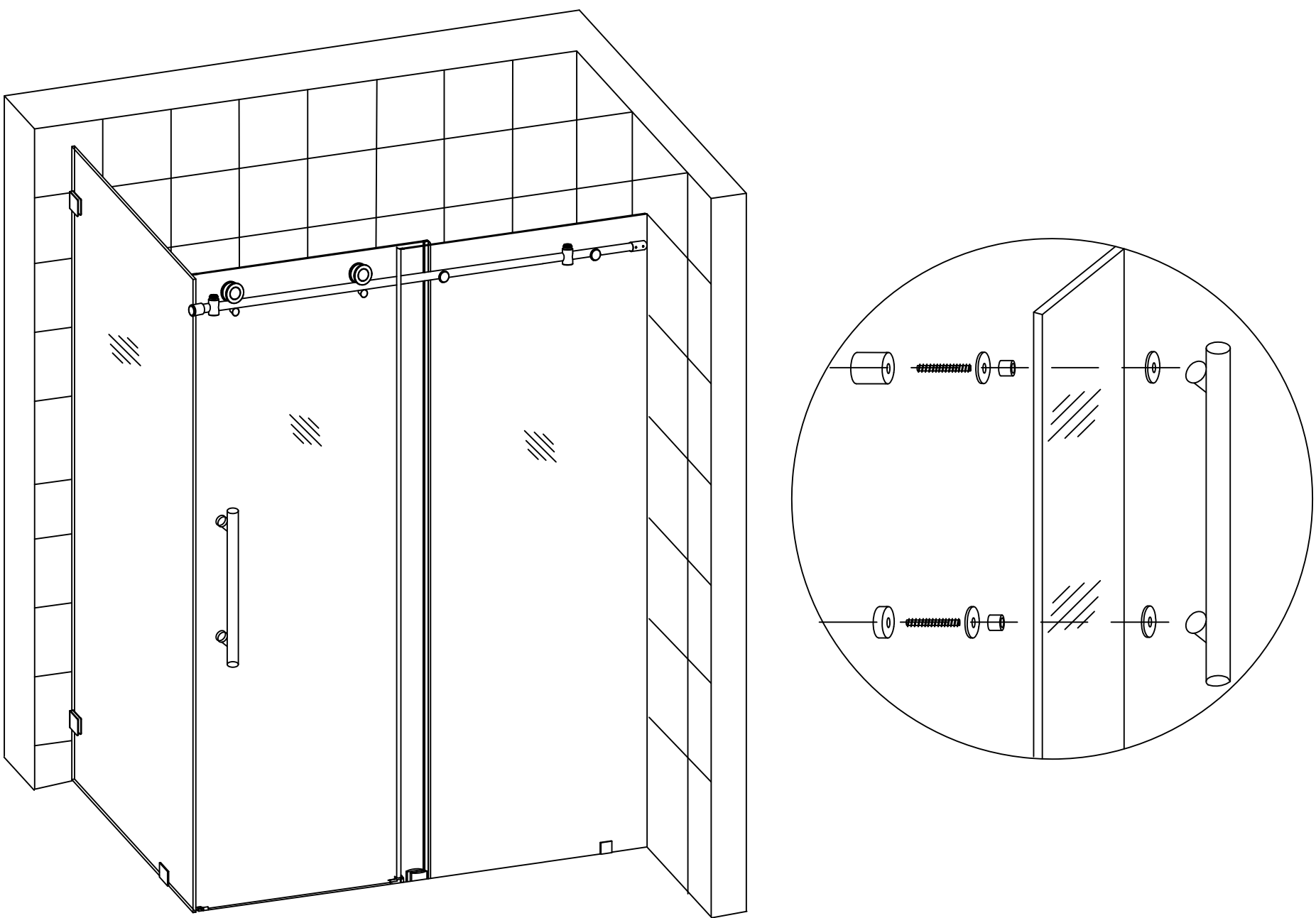
4. Using the appropriate drill bit for your floor surface drill the hole locations with a 5/16" diameter drill bit. Install the plastic anchors from Screw pack 4 into the drilled holes. Repeat for the other side. See figure 4
5. Add a small amount of silicone sealant to bottom of threshold bar assembly place into position. See figure 5
6. Using the hardware from screw pack 4 install the threshold bar assembly. Install the decorative screw plug covers into threshold end caps (14). See figure 6

Seal Installation



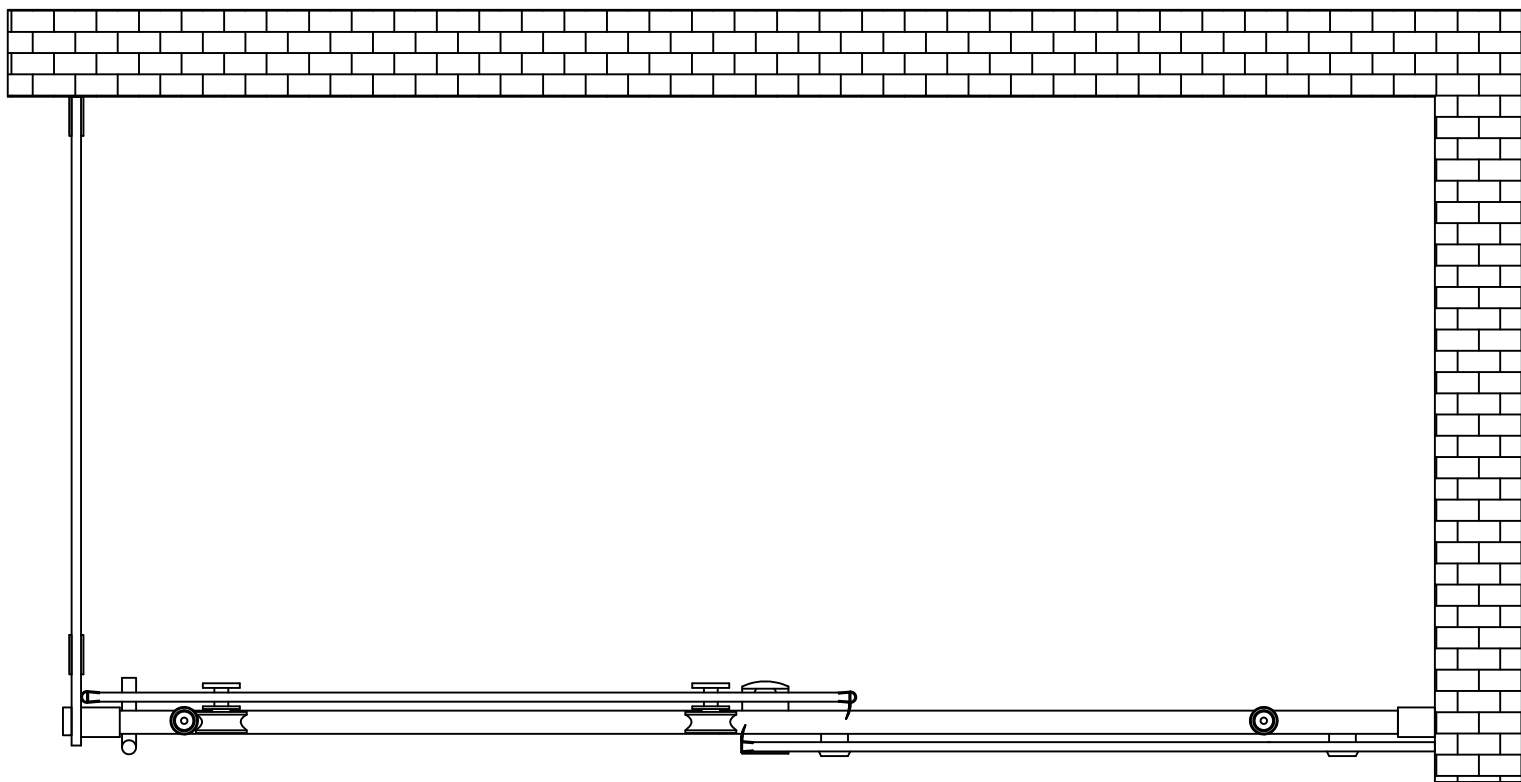
Install the door seals according to the drawing.

Door Handle Assembly



Install the door handle (15) using hardware provided. Follow the assembly sequence seen in drawing.

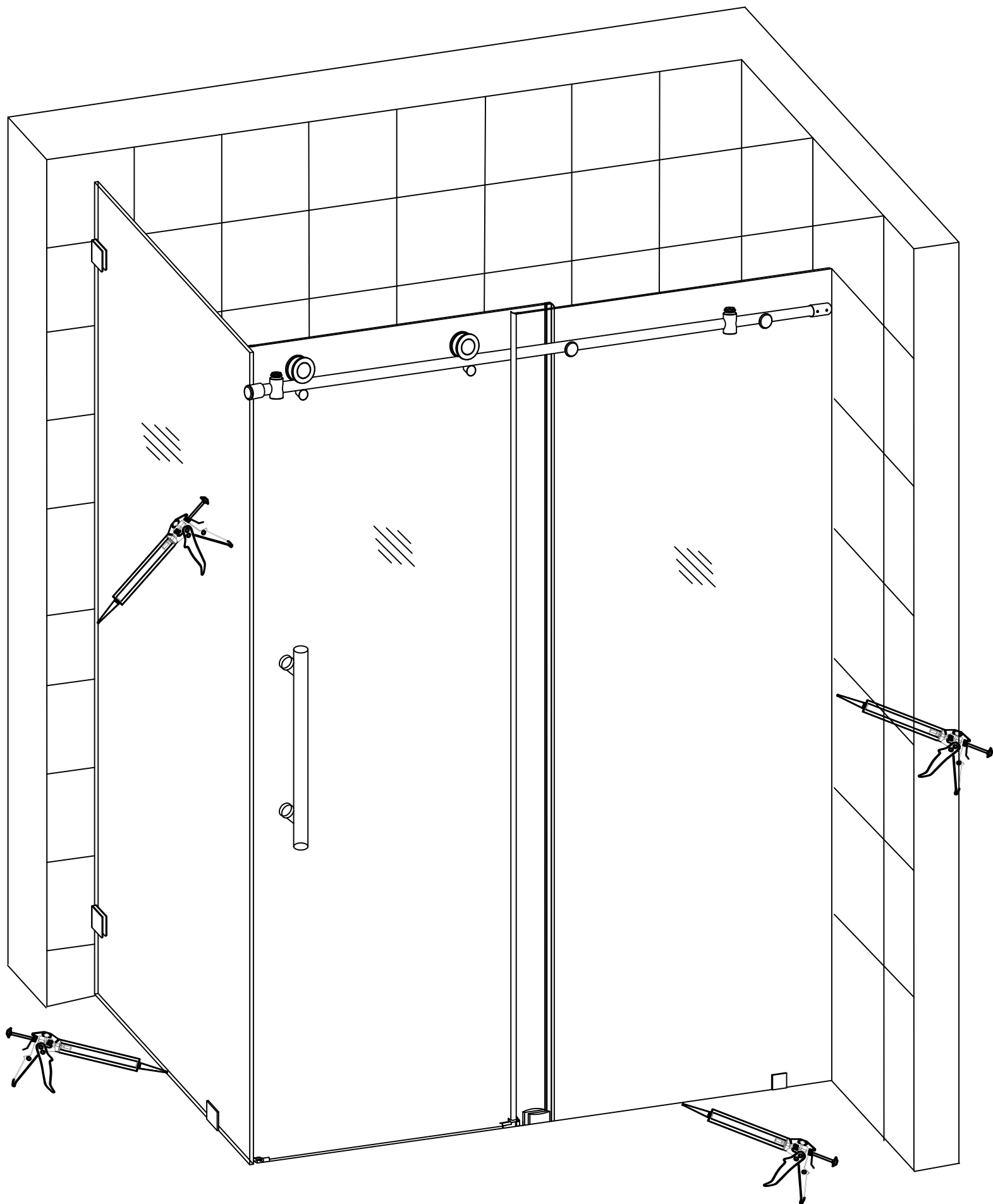
Door Stopper position



Position the door stoppers (1) and secure them tightly to top rail (2).

NOTE: The door stoppers (1) MUST be positioned correctly to prevent the handle from contacting the fixed glass panel (3) and to stop the glass door (1) from contacting the return glass panel (5) and shower wall.

Final sealing



Using Bath & Kitchen silicone sealant, seal the fixed glass (3) and returned glass panel (5) along bottom edge on shower base, and side edge along shower wall. Next seal around sliding door track divider (10).

Care and Maintenance

As with any other luxury item, maintenance and care are critical to the long lasting quality and enjoyment of your shower door and tray. The proper care and maintenance outlined in this section are necessary to ensure the longevity of the unit. Damage caused by not following the care and maintenance guidelines in this section is not covered under the manufacturer's warranty.

StarCast by EnduroShield makes your cleaning easier and less frequent; however it recommended that your continue to clean the surfaces regularly. Please see the Enduro Shield Care and Maintenance section for detailed maintenance requirements.

ASTON GLOBAL INC. – Limited Warranty

This warranty applies to products purchased from Aston Global Inc. after May 1, 2017.

Aston Global Inc., a Texas Corporation ("Aston"), provides the following warranty coverage for shower doors and enclosures, bathtubs, shower panels and related components (The Products). Aston warrants that The Products shall be free from defects in material and workmanship from the date of the original sale of the product by Aston (the "limited warranty period"), subject to the following conditions. This warranty extends to the original owner/end-user only, in its original place of installation and is not transferable to subsequent owners. Aston reserves the right to modify this warranty at any time; however, modifications will not change the warranty provisions in effect at the time of sale of the products in question. This warranty applies only to products sold by Aston and purchased from an Aston-authorized dealer. Proof of purchase / original sales receipt from the original consumer purchase must be provided with all warranty claims.

This limited warranty does not cover glass provided by others or outside fabrication provided by others, nor does it cover defects in material or workmanship caused by improper installation of the product; use of improper cleaning products or materials; or caused by accidents, owner or installer negligence, alterations, abuse or misuse. This limited warranty is limited to the repair and replacement of the defective product originally sold by Aston, or, at Aston's sole discretion, the payment to the original user of the original purchase price for the product paid to Aston. Aston is not responsible for the removal or reinstallation of a product requiring warranty service or the cost thereof. Shipping cost to replace product or parts covered by this warranty are the responsibility of the original user.

Aston disclaims liability for special, incidental or consequential damages. **ASTON'S LIABILITY SHALL NOT EXCEED THE PURCHASE PRICE OF THE UNIT IN QUESTION.**

In order to make a warranty claim, the original user shall notify the Aston Customer Service Department within thirty (30) days of discovering the defect and/or problem. The original user can provide notice by calling Aston's Technical Service Department at (877)-424-9699, or by sending written notice to: 2805 Market Street, Suite 187, Garland, TX 75041, Attention: Customer Service Department. The notification shall specify the date the product was originally sold by Aston, the registration code, and the nature of the defect in material and/or workmanship. Based on such notification, Aston may request additional information from the original user to verify the claim.

This warranty is extended to residential applications only. The warranty for commercial installations is one year.

Aston products must be installed in accordance with Aston's installation instructions by a fully insured, licensed and skilled professional. Installation of The Products by anyone other than a fully insured licensed professional shall void the warranty. Aston recommends that licensed and skilled professionals have experience installing bathroom products, specifically shower and tub doors. Installation by an unlicensed or inexperienced installer may result in damage and/or breakage to the Products and may cause personal injury.

PARTS ONLY WARRANTY

This warranty is extensive in that it covers replacement of all defects. LABOR CHARGES AND/OR DAMAGE INCURRED DURING INSTALLATION, REPAIR, OR REPLACEMENT, AS WELL AS ANY OTHER KIND OF ANCILLARY COST, LOSS OR DAMAGE ARE EXCLUDED.

COMMERCIAL USE AND OTHER EXCLUSIONS

This warranty excludes all industrial, commercial and business usage. The warranty period for products installed for commercial applications or used in commercial ventures, including but not limited to motels, hotels, casinos, student housing, condos, apartments, and fitness centers, is a one (1) year limited warranty from the date of purchase for shower doors, bathtub doors, shower enclosures, shower bases, and backwalls, with all other terms of this warranty applying except the duration of the warranty. Aston hereby disclaims all warranties for products sold as dealer or store displays.

WARRANTY TERMS

Aston will, at its election, repair or replace the product found by Aston in its sole judgment, to be defective within the warranty period under normal residential use and maintenance. The replacement of a product is limited to supplying a replacement product or part (same as existing or if not available, comparable product). Aston's warranty obligation shall be discharged upon tender of parts, replacement or repair of the product. Purchaser's refusal to accept the tender terminates all warranty obligations and VOIDS THE WARRANTY. Cost of freight for returning products to Aston for repairs or replacement under this limited warranty is the responsibility of the customer. Cost of freight associated with shipping of replacement product(s) or parts covered by this warranty is the responsibility of the original user. Any product replaced or repaired during the warranty period will be covered only for the remaining period of the original warranty. In no event will Aston be liable for costs of repair or replacement of any installation material, including but not limited to tile, marble, etc. **ASTON IS NOT RESPONSIBLE FOR INSTALLATION, REMOVAL OR REINSTALLATION COSTS OF ANY PRODUCT REQUIRING WARRANTY SERVICES.**

Any modification or alteration of any Aston products will void the warranty. Neither the authorized Aston dealer, nor any other person is permitted to make any affirmation, representation, or warranty other than those contained in this warranty. Any affirmation, representation, or warranty other than those contained in this warranty shall not be enforceable against Aston or any other person.

Aston product installations and repairs must be performed by either an Aston authorized agent or a licensed, insured and experienced professional contractor - installation or repairs performed by any other party shall void the warranty. This warranty shall not apply to breakage or damages caused by normal wear and tear, fault, carelessness, abuse, misuse, misapplication, improper maintenance, alteration or modification of the unit, as well as chemical or natural corrosion, accident, fire, flood, act of God or any other casualty. Improper care and cleaning will void the warranty. Use of cleaners containing abrasive cleansers, ammonia, bleach, acids, waxes, alcohol, solvents or other products not recommended for hardware finishes, glass or acrylic as they may damage the metal or glass finish of your shower door or shower enclosure and will void the warranty. For additional product maintenance instructions please refer to the product installation manual. Aston is not responsible for any issues arising in connection with errors or omissions in information provided on Aston or dealers' websites. This warranty does not extend to any non-Aston plumbing or components installed by installers, end users or by any party other than Aston.

THE FOREGOING WARRANTIES ARE IN LIEU OF ALL OTHER WARRANTIES, EXPRESSED OR IMPLIED, INCLUDING BUT NOT LIMITED TO THE IMPLIED WARRANTIES OF MERCHANTABILITY AND FITNESS FOR A PARTICULAR PURPOSE. ASTON DISCLAIMS ALL LIABILITY FOR SPECIAL, INCIDENTAL OR CONSEQUENTIAL DAMAGES. ASTON IS NOT LIABLE FOR PERSONAL INJURIES OR DEATH TO ANY PERSON OR FOR ANY DIRECT, SPECIAL, INCIDENTAL OR CONSEQUENTIAL DAMAGE, LOSS OF USE, LOSS OF TIME, LOSS OF PROFITS, INCONVENIENCE, INCIDENTAL EXPENSES, LABOR OR MATERIAL CHARGES, OR ANY OTHER COSTS RESULTING FROM THE USE OF ITS PRODUCTS OR PERTAINING TO THE APPLICATION OF THE PRESENT WARRANTY, OR RESULTING FROM THE REMOVAL OR REPLACEMENT OF ANY PRODUCT OR ELEMENT OR PART COVERED BY THIS WARRANTY.

PRODUCT WARRANTY PERIODS

The laws and regulations that govern the installation and use of shower or tub doors, shower enclosures and shower bases vary widely by region, state or municipality. Except as otherwise provided above, Aston makes no warranties, expressed or implied, including warranties of merchantability and fitness for a particular purpose or compliance with any code. Aston is not responsible for verifying building code restrictions on installation or use and any such compliance is excluded from this warranty. Aston reserves the right to modify this warranty at any time. Such warranty modifications will not alter the warranty applicable at the time of sale of the products in question.

The warranty terms for specific products are listed on the pages that follow.

RESIDENTIAL INSTALLATIONS

SHOWER DOORS and ENCLOSURES

GLASS: Limited Lifetime

Aston warrants the **glass** of shower doors, tub doors and shower enclosures to be free from defects in workmanship and materials under normal residential use for the life of the product.

StarCast Protective Coating by EnduroShield: Ten (10) Years, provided by PCT Global LLC.

For shower doors treated with StarCast protective coating, warranty coverage is provided by its maker, PCT Global LLC. Please register directly with EnduroShield online at

HARDWARE: Limited Lifetime

Aston warrants shower door, tub door and shower enclosure **hardware** (i.e. handles, rollers, hinges, profiles, clips, guides, brackets, towel and support bars) in Polished Chrome and Brushed Stainless Steel finishes to be free from defects in workmanship and materials under normal residential use for life of the product. The warranty for any part in Oil-rubbed Bronze finish shall be limited to one (1) year.

SHOWER BASES: Lifetime Limited

Aston warrants **shower bases** to be free from defects in workmanship and materials under normal residential use for the life of the product.

SEALS, SWEEPS, VINYL COMPONENTS: One (1) Year

Warranty for **plastic seal strips, sweeps** or any other **vinyl components** shall be limited to one (1) year.

* Aston does not warrant glass for scratches, chips, water spots, breaking or any other damage after installation.

FREESTANDING TUBS

TUB SHELL and FRAME: Ten Years

Aston warrants the **Tub Shell and Frame** to be free from defects in workmanship and materials under normal residential use for ten (10) years.

This warranty NOT does cover damage or failure caused by improper handling, modification of any type, improper installation, misuse, lack of proper routine maintenance, the use of improper cleaners or abrasives, accidents or acts of God, nor does it apply to the effects of normal wear and tear. Alteration, customization or modification of the tub, any accessory or any other part voids this warranty.

DRAIN, OVERFLOW AND ACCESSORIES: Limited Lifetime

Aston warrants the freestanding tub **Drain, Overflow and Accessories** in Polished Chrome and Brushed Stainless Steel finishes to be free from defects in workmanship and materials under normal residential use for two (2) years. The warranty for any part in Oil-rubbed Bronze finish shall be limited to one (1) year.

WALK IN TUBS

TUB SHELL: Three (3) Years

Aston warrants the Walk In Tub **Shell** to be free from defects in workmanship and materials under normal residential use for three (3) years.

This warranty does NOT cover damage or failure caused by improper handling, modification of any type, improper installation, misuse, lack of proper routine maintenance, the use of improper cleaners or abrasives, accidents or acts of God, nor does it apply to the effects of normal wear and tear. Alteration, customization or modification of the tub, any accessory or any other part voids this warranty.

DOOR SEAL: Three (3) Years

Aston warrants **Walk In Tub Door Seal** to be free from defects in workmanship and materials under normal residential use for three years.

COMPONENTS and PARTS: Three (3) Years

Aston warrants **Walk In Tub Components and Parts** to be free from defects in workmanship and materials under normal residential use for three (3) years.

Components means only the waste & overflow fittings, controls, faucets, plated finishes, jets, pumps, water lines and connectors supplied by Aston and do not include materials supplied by the dealer from whom you purchased the tub or from the installer of the tub.

SHOWER PANELS: One (1) Year

Aston warrants **shower panels** to be free from defects in workmanship and materials under normal residential use for a period of one (1) year from the initial date of purchase.

STEAM SHOWERS: Three (3) Years

Aston warrants **steam showers** panels to be free from defects in workmanship and materials under normal residential use for a period of three (3) years from the initial date of purchase.

COMMERCIAL INSTALLATIONS

SHOWER DOORS and ENCLOSURES

A: One (1) Year

Aston warrants the **glass** of shower doors, tub doors and shower enclosures to be free from defects in workmanship and materials under normal commercial use for one (1).

HARDWARE: One (1) Year

Aston warrants shower door, tub door and shower enclosure **hardware** (i.e. handles, rollers, hinges, profiles, clips, guides, brackets, towel and support bars) to be free from defects in workmanship and materials under normal commercial use for one (1) year.

SHOWER BASES: One (1) Year

Aston warrants **shower bases** to be free from defects in workmanship and materials under normal commercial use for one (1) year.

SEALS, SWEEPS, VINYL COMPONENTS: One (1) Year

Warranty for **plastic seal strips, sweeps** or any other **vinyl components** shall be limited to one (1) year.

* Aston does not warrant glass for scratches, chips, water spots, breaking or any other damage after installation.

FREESTANDING TUBS**TUB SHELL and FRAME: One (1) Year**

Aston warrants the **Tub Shell and Frame** to be free from defects in workmanship and materials under normal commercial use for the one (1) year.

This warranty does NOT cover damage or failure caused by improper handling, modification of any type, improper installation, misuse, lack of proper routine maintenance, the use of improper cleaners or abrasives, accidents or acts of God, nor does it apply to the effects of normal wear and tear. Alteration, customization or modification of the tub, any accessory or any other part voids this warranty.

DRAIN, OVERFLOW AND ACCESSORIES: One (1) Year

Aston warrants the freestanding tub **Drain, Overflow and Accessories** in Polished Chrome, Brushed Stainless Steel and Oil Rubbed Bronze finishes to be free from defects in workmanship and materials under normal commercial use for one (1) year.

WALK IN TUBS**TUB SHELL: One (1) Year**

Aston warrants the **Walk In Tub Shell** to be free from defects in workmanship and materials under normal commercial use for one (1) year.

DOOR SEAL: One (1) Year

Aston warrants **Walk In Tub Door Seal** to be free from defects in workmanship and materials under normal commercial use for one (1) year.

COMPONENTS and PARTS: One (1) Year

Aston warrants **Walk In Tub Components and Parts** to be free from defects in workmanship and materials under normal commercial use for one (1) year.

SHOWER PANELS: One (1) Year

Aston warrants **shower panels** to be free from defects in workmanship and materials under normal commercial use for a period of one (1) year from the initial date of purchase.

STEAM SHOWERS: One (1) Year

Aston warrants **steam showers** panels to be free from defects in workmanship and materials under normal commercial use for a period of one (1) year from the initial date of purchase.

STATE LAWS AND THIS WARRANTY

Laws and regulations governing the installation, design and installation the products in construction applications vary widely. Aston does not have any control over and disclaims all responsibility and liability for selection, configuration, installation and operation of the products. The obligation of Aston to provide coverage under this limited warranty is expressly subject to the condition that the original user activates the warranty within 30 days of purchase by registering on-line or calling 1 (877) 424-9699.

Some states do not allow limitations on how long an implied warranty lasts, so the above limitation may not apply to you. Some states do not allow the exclusion or limitation of incidental or consequential damages, so the above exclusion of incidental damages may not apply to you. This warranty gives you specific legal rights, and you may have other rights which vary from state to state.

SOLE REMEDY / LIMITATION OF DAMAGES: THE REMEDY PROVIDED ABOVE UNDER "SCOPE OF COVERAGE" IS CUSTOMER'S EXCLUSIVE REMEDY FOR ANY DEFECT OR MALFUNCTION OF THE PRODUCT. To the fullest extent allowed by law, SANIJET disclaims and excludes liability for consequential and incidental damages including, but not limited to, loss of use, lost rentals, lost profits, loss of business reputation, out of pocket expenses, damage to property other than the warranted product, mental anguish and punitive damages. Some states limit or do not allow the exclusion or limitation of incidental or consequential damages, so some or all of these limitations may not apply to you.

STATE LAW RIGHTS: This warranty gives you specific legal rights, and you may also have other rights which vary from state to state. THE DURATION OF ANY IMPLIED WARRANTIES UNDER STATE LAW, INCLUDING THE IMPLIED WARRANTIES OF MERCHANTABILITY AND FITNESS FOR A PARTICULAR PURPOSE, SHALL NOT EXTEND BEYOND THE WARRANTY PERIOD DESCRIBED ABOVE. Some states do not allow limitations on how long an implied warranty lasts, so this limitation may not apply to you.



**Customer Service
877-424-9699**

**Aston Global Inc
2805 Market Street, Suite 187
Garland, TX. 75041**

**If further assistance is needed, or you
have a question, please visit our web
site at:**

www.astonbath.com