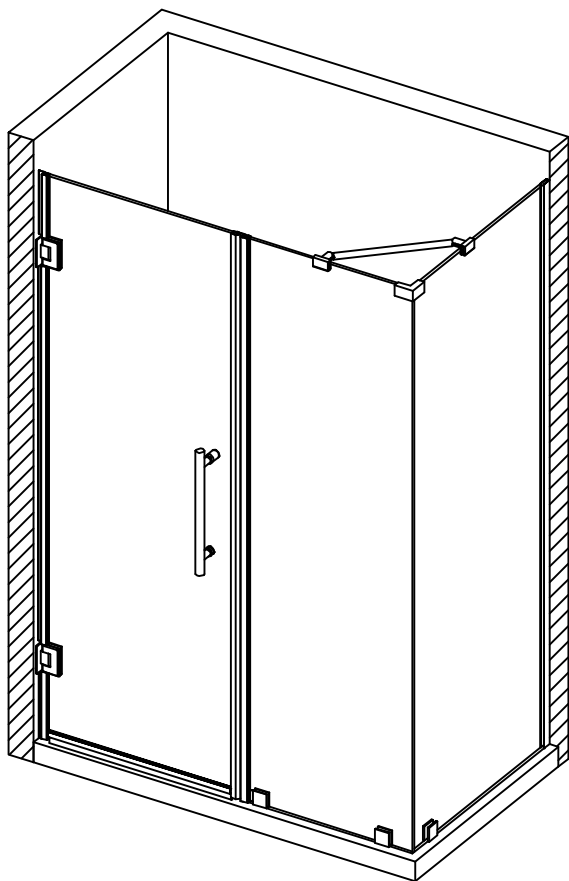




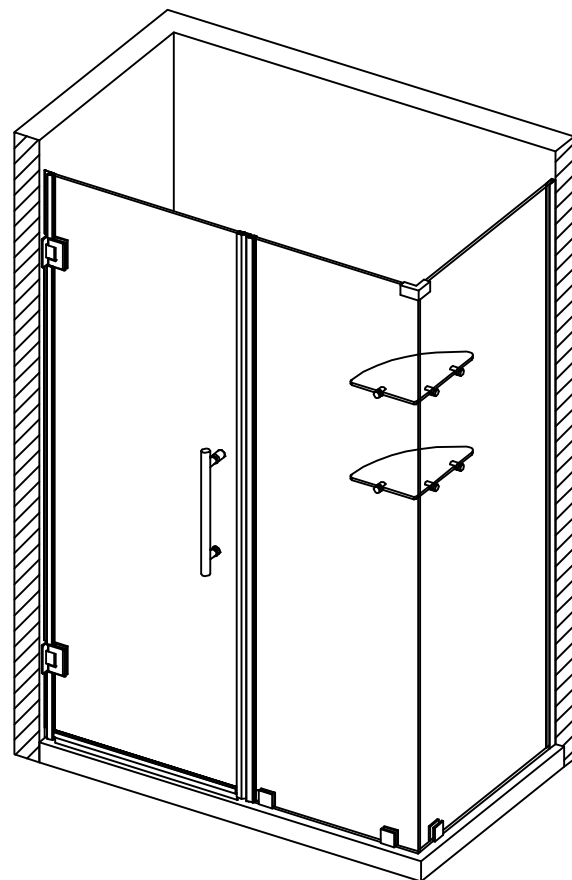
INSTALLATION AND OWNER'S MANUAL

Please select your shower door model, or shower door style from the selection below for easy installation.

ATTENTION: This door is extremely heavy and the hinges on this door must be attached to the studs or to preinstalled 2 X 6 wood reinforcement behind the wall.



Style A
(SEN967 Bromley)



Style B
(SEN962 Bromley GS)

Please carefully read these instructions before you begin to install the products.

IMPORTANT:

ASTON reserves the right to alter, modify or redesign products at any time without prior notice. For the latest up-to-date technical drawings, manuals, warranty information or any other details, please refer to the www.astonbath.com

11/14 Rev A

Before you start

Thank you for purchasing your Aston shower door. We hope it will provide you with years of satisfying use and enjoyment.

Please read this manual carefully because it contains information and instructions about the proper installation of the unit. If you do not follow certain conditions of installation and maintenance, your warranty may be affected.

1. Inspect boxes for shipping damage. If the product has been damaged, is missing parts, or has a finishing defect, please contact our customer support department within 5 business days of delivery date.
2. NOTE: You should consult your local building codes with questions on installation compliance standards. Plumbing and building codes vary by location.
3. Before installation, inspect installation surfaces or level and have to the strength to support the heavy weight of this shower door assembly. This Shower door should only be installed using the connection point to the studs or to pre-installed 2x6 wood reinforcements behind the wall.
4. This Shower Door assembly is very heavy. Professional installation is recommended for this shower door.

Aston Shower door's feature:

- Tempered safety glass
- High quality hardware

Certifications:

All Aston Shower doors are 3rd party tested to meet the following US, Canadian and International Standards:

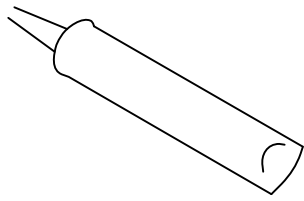
- CPSC 16 CFR1201 II / ANSI Z97.1 - 2009 Class A
- CSA B45 Series - 02

Installation Guide

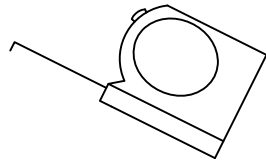
Please read and follow the installation instructions and guidelines in this section. Failure to follow the recommended instructions and installation techniques may lead to possible damage to the unit or the surrounding area. This can affect warranty claims.

ATTENTION: This unit requires assembly. A minimum of two people are required for assembly, as several of the sections can be large and unstable until assembled.

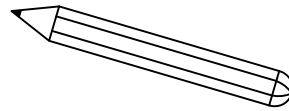
You will need the following tools:



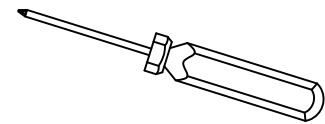
Caulk



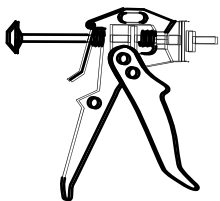
Tape Measure



Pencil



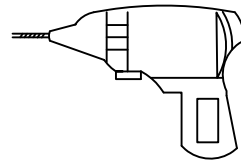
Phillips Screwdriver



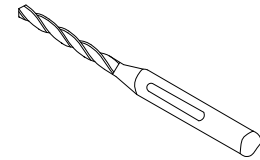
Caulk Gun



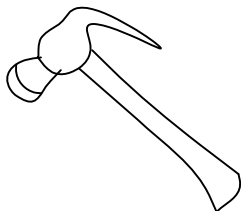
Level



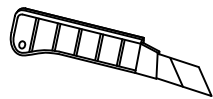
Electric Drill



Drill bit ($\varnothing 5/16$ ")



Hammer



Razor Knife

Locate the accessory box and remove the individual screw and hardware packages. Lay them out in sequential order to aid in completing the rest of the installation.

Detailed Diagrams of Shower Door Components

Shower Door

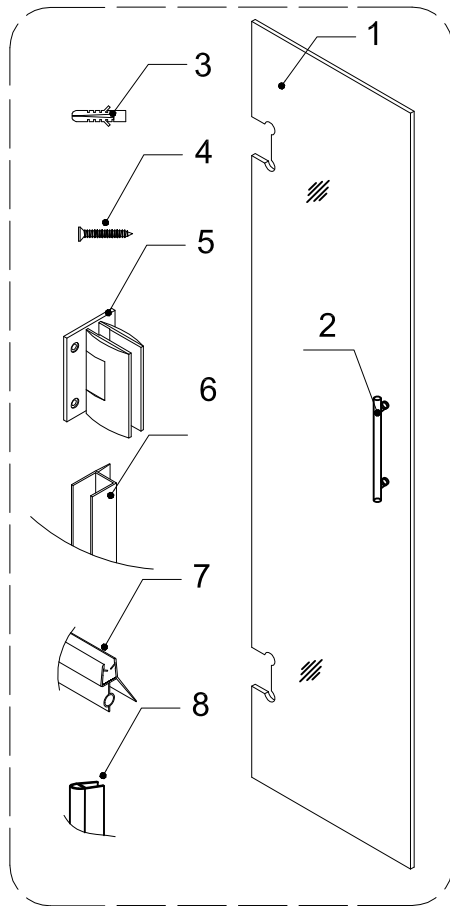


Diagram A

Stationary Glass Panel
with Top Brace

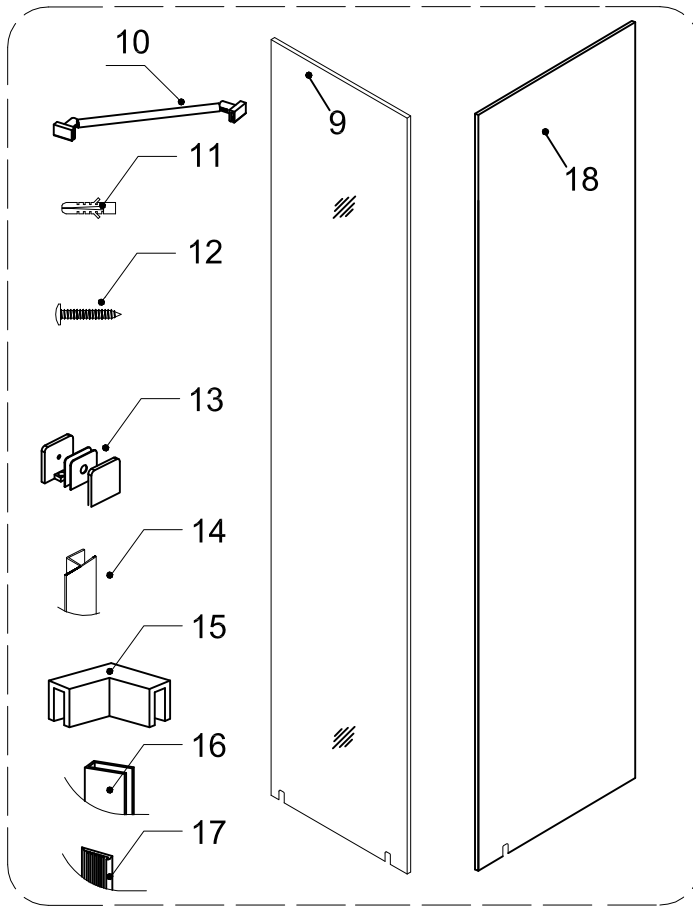


Diagram B

Stationary Glass Panel
with Glass Shelves

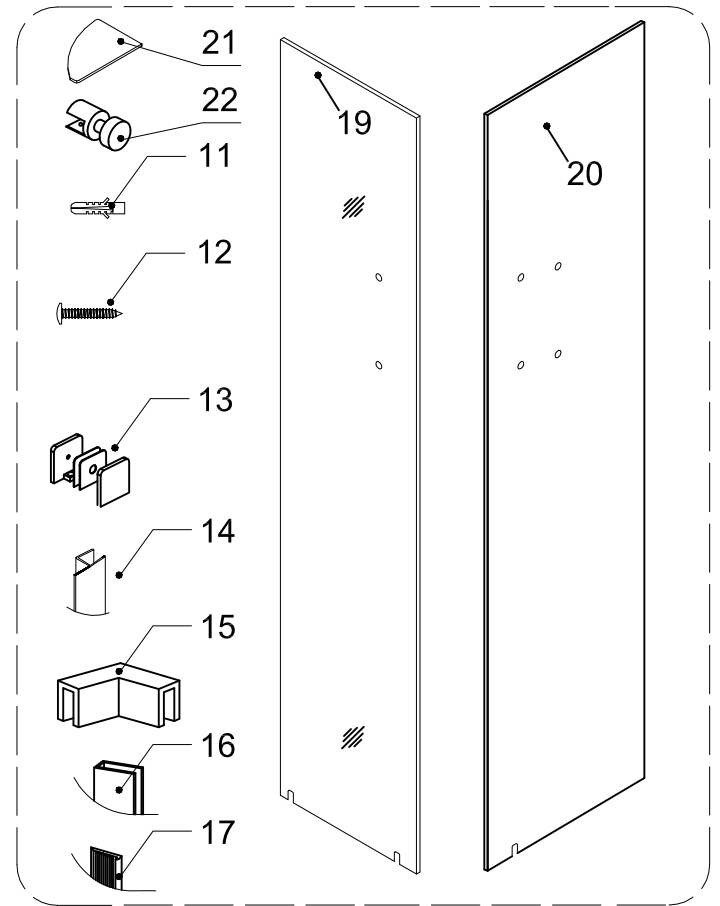


Diagram A

01	Glass door	1pc	05	Hinge	2pcs
02	Handle	1pc	06	Side strip seal (3 sections to cut)	1pc
03	Wall anchor	8pcs	07	Bottom anti-water strip seal	1pc
04	M5 X 60 screw	8pcs	08	U-shaped strip seal(Glass door)	1pc

Diagram B

09	Stationary glass panel	1pc	13	Glass clamp	2pcs+1pc*
10	Support bar	1pc*	14	Anti-water strip seal(Stationary glass)	1pc
11	Wall anchor	5pcs+1pc*	15	L-Glass clamp	1pc
12	M4 X 60 screw	5pcs+1pc*	16	Wall channel	1pc
17	Wall channel seal	1pc	18	Return glass panel	1pc

Diagram C

11	Wall anchor	5pcs+1pc*	16	Wall channel	1pc
12	M4 X 60 screw	5pcs+1pc*	17	Wall channel seal	1pc
13	Glass clamp	2pcs+1pc*	19	Stationary glass panel	1pc
14	Anti-water strip seal(Stationary glass)	1pc	20	Return glass panel	1pc
15	L-Glass clamp	1pc	21	Glass shelf	2pc
			22	Shelf Bracket (with nut)	6pc

Noted: All parts marked with star (*), not provided with 6" 14" stationary glass panel.

PLEASE NOTE: During unpacking carefully inspect all parts and identify all parts using detailed diagram in your manual as a reference. Before discarding the packaging check for any parts or small hardware bags that may have been overlooked.

STYLE A

Shower door with 6" small or 14"-38" large stationary glass and support bar

Shower door and Diagram A must be used for assembly

Pages: 5-16

STYLE B

Shower door with 14"-38" large Stationary glass with glass shelves

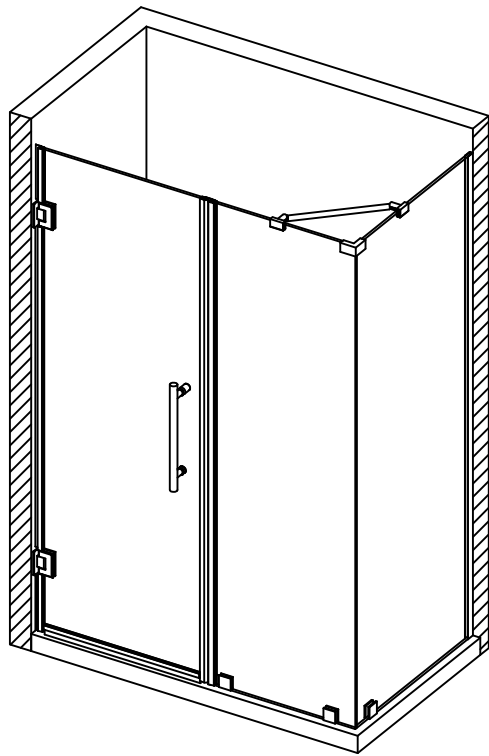
Shower door and Diagram B must be used for assembly

Pages: 5-15 , 17

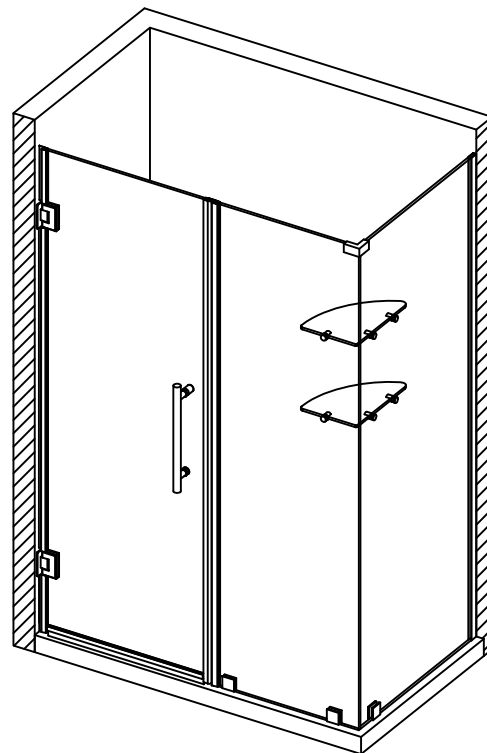
Shower Enclosure Assembly and Installation (Style A and B)

NOTE: Please use parts from Shower door and Diagram "A" or "B" (depends on your model style) for the Shower enclosure assembly and installation.

ATTENTION: A minimum of two people are required for the next assembly steps.



Style A



Style B

1. Measuring from the back corner in the shower, mark the shower wall and shower base for Stationary Glass Panels. Refer to the size of your model in the table below.

$W1 = \text{Glass door} + \text{Stationary glass panel}$

$W1 = \text{GLSD1030} + \text{GLSP5514} = 30" + 14" = 44"$

Note: This measurement is from the back corner in shower to the outside of Wall channel

$W2 = \text{Return glass panel}$

$W2 = \text{RP9532} = 32"$

Note: This measurement is from the back corner in shower to the outside of glass

See Fig.1 for details.

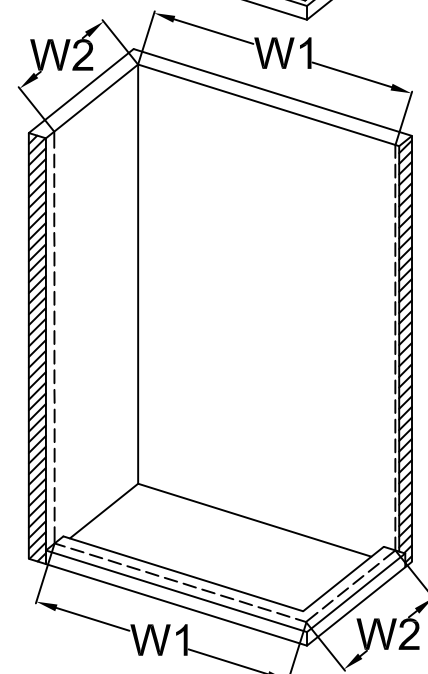
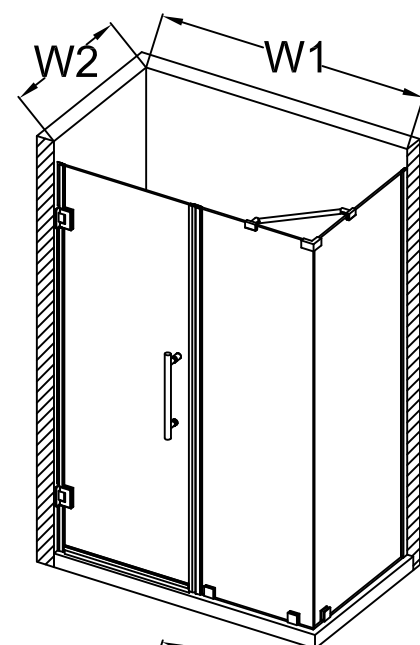


Figure 1

Return Glass Panel Assembly and Installation

This model is treated with Aston's STARCAST/Enduro Shield Glass technology. The Return glass panel and the Stationary glass panel for this product is treated on both sides of glass to allow this product to be installed for Left or Right hand door installations.

2. Remove pre-installed screws from pre-assembled Glass clamps (13).

Align the Glass Clamps (13) with notches in the Return glass panel (18) and install Glass clamps (08) to Return glass panel (18).

Noted: Smooth flat surface of Glass clamp (13) should be installed on outside of glass door.

See Figure 2 for details.

3. Insert the Return glass panel (18) into the Wall channel(16).

See Figure 3 for details.

4. Position the Return glass panel into shower area and align with measurement W1 markings on wall and shower base. Check the return glass is level and plump and mark the mounting locations of the Wall channel and Glass clamp on shower wall and shower base.

See Figure 4 for details.

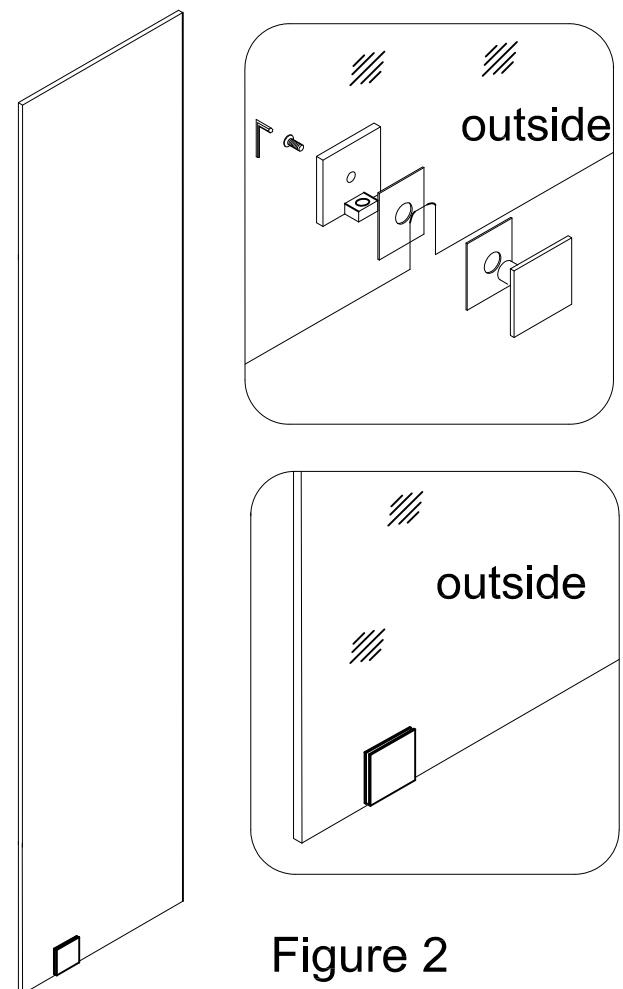


Figure 2

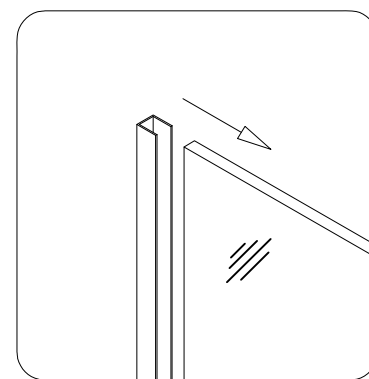


Figure 3

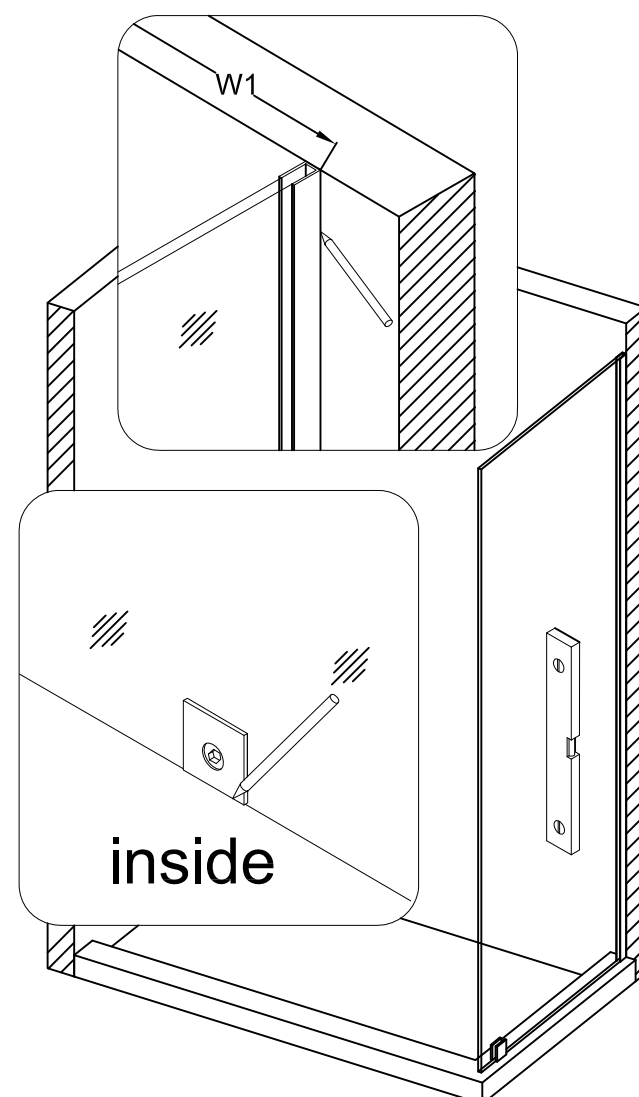


Figure 4

5. Carefully place the Return glass panel(18) aside.

NOTE:

Never set your glass down directly onto a tile or concrete floor. Always use a piece of wood or cardboard and leave the corner pads on the glass until it becomes necessary to remove them to protect the bottom edge and the corners of the glass from breakage.

Position the Wall channel (16) with marked line on shower wall and mark the hole locations for attaching the Wall channel (16) to shower wall.

Remove the Glass clamp (13) from the Return glass panel (18). Next position the Glass Clamp (13) with marked location on shower base and mark the hole location for attaching Glass clamp (13) to shower base.

See Figure 5 for details

6. Using the appropriate drill bit for your wall surface drill each hole location with a 5/16" diameter drill bit.

Using the appropriate drill bit for your floor surface drill hole location with a 5/16" diameter drill bit.

See Figure 6 for details.

NOTE: If your surface is prone to cracking or chipping then it is recommended that you pilot drill first using a smaller drill bit, and then step up to the final size.

7. Install the plastic Wall anchors (11) provided into the drilled holes on wall and floor surface.

See Figure 7 for details.

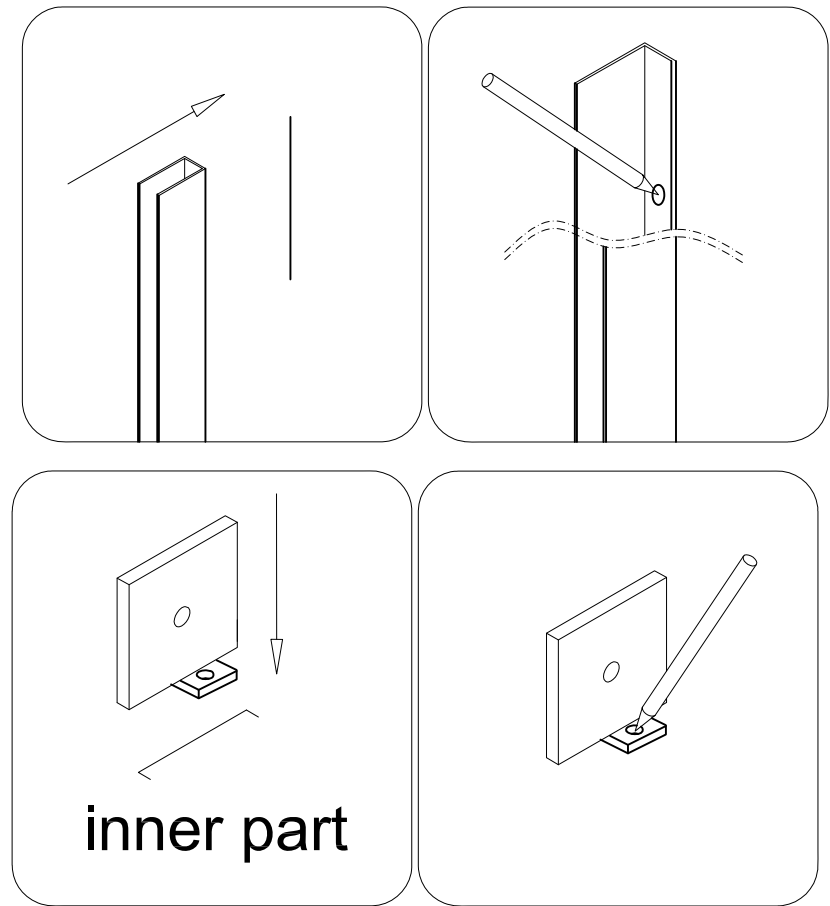


Figure 5

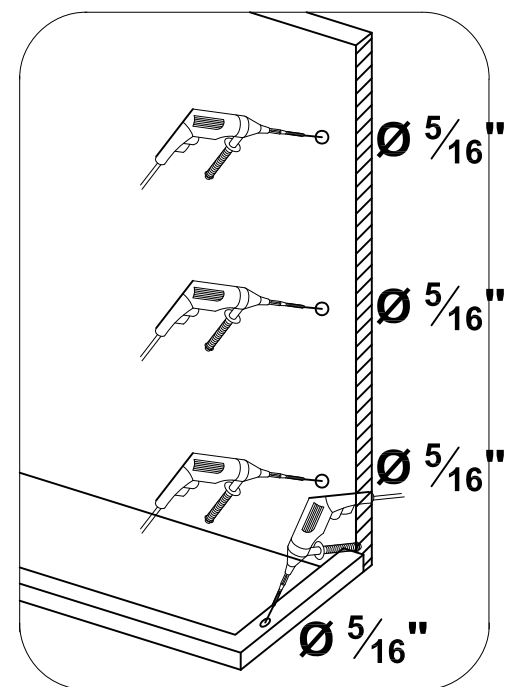


Figure 6

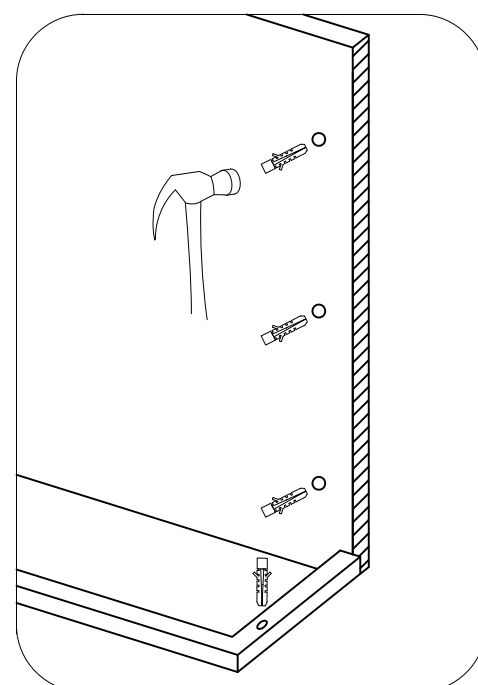


Figure 7

8. Install the Wall channel (16) to shower wall using M4x60 screws.

Install the Glass clamp (13) to shower base using M4x60 screws.

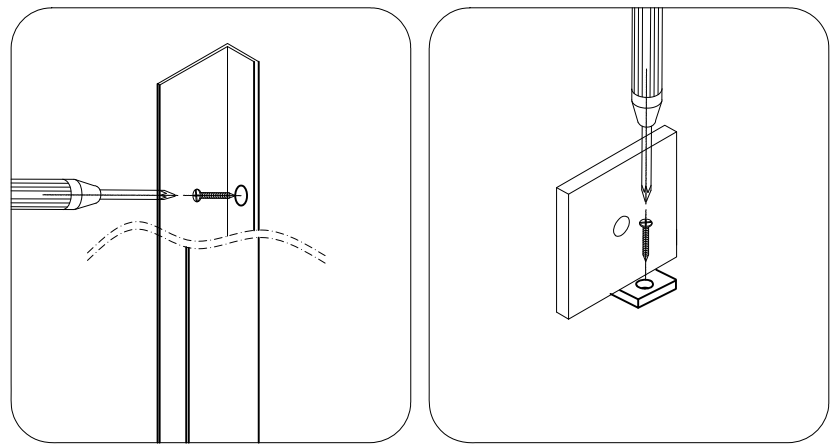


Figure 8

See Figure 8 for details.

9. Place the Return glass panel (18) into the Wall channel (16) and install glass clamp (13) to Return glass panel (18).

See Figure 9 for details.

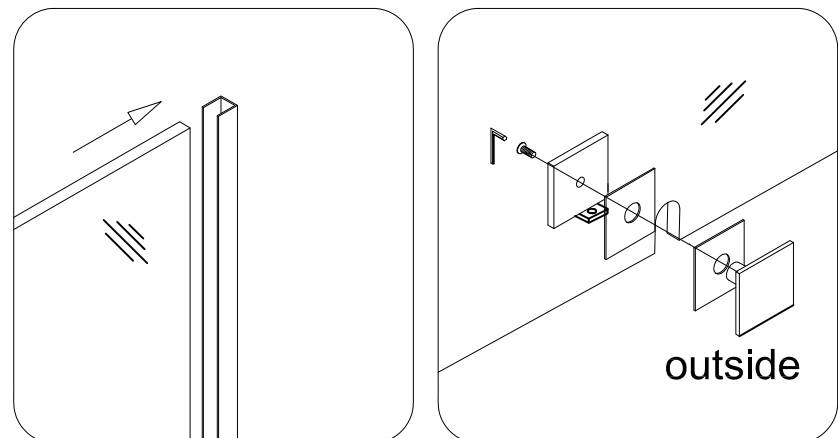


Figure 9

10. Install Wall channel seal (17) to Return glass panel (18).

Spray soapy water on the glass near the Wall channel (10). Then insert the Wall channel seal (21) on the outside of Return glass panel as shown in figure (18). Start from the bottom of Wall channel and work your way up, any extra Wall channel seal remaining at top of Wall channel can be cut off with scissors. Taping the wall channel seal to the top of wall channel can be helpful during this process.

See Figure 10 for details.

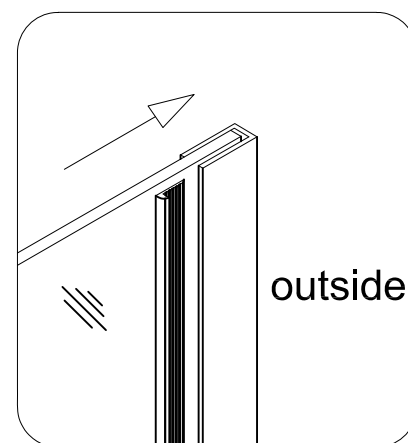


Figure 10

Stationary glass panel Assembly and Installation

This model is treated with Aston's STARCAST/Enduro Shield Glass technology. The Return glass panel and the Stationary glass panel for this product is treated on both sides of glass to allow this product to be installed for Left or Right hand door installations.

11. Remove pre-installed screws from pre-assembled Glass clamps (13).

Align the Glass Clamps (13) with notches in the Stationary glass panel (9) and install Glass clamps (08) to Stationary glass pane (9).

Note: If your model has stationary glass from 6" to 14" the Stationary glass panel only requires one glass clamp.

See Figure 11 for details.

12. Carefully position the Stationary glass (9) with the marked measurement line W2 on shower threshold. With the Stationary glass in position, align with Return glass panel (18).

See Figure 12 for details.

13. Mark the position of the Glass clamp (13) on shower base.

See Figure 13 for details.

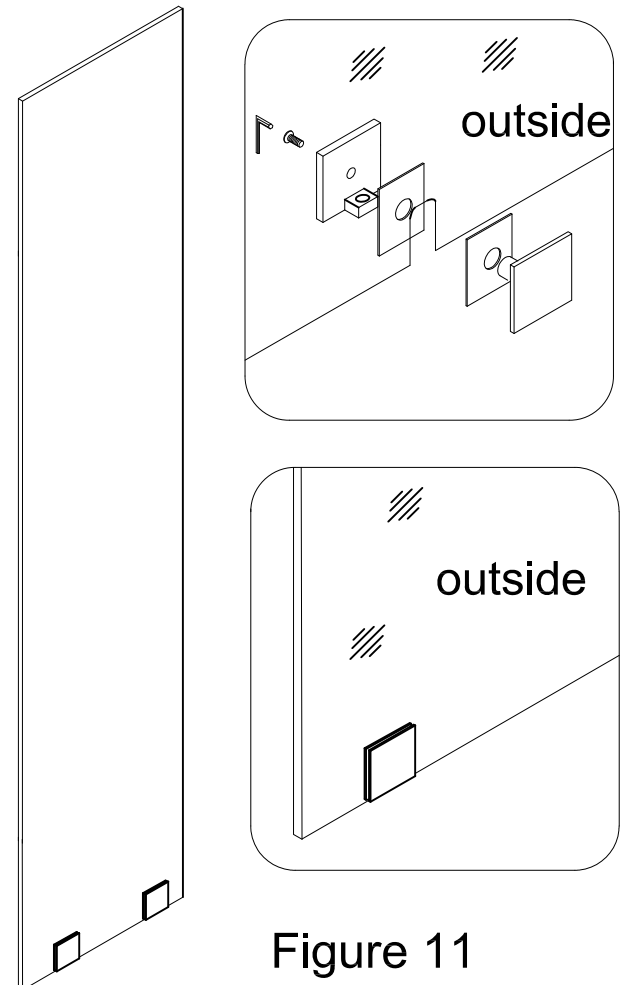


Figure 11

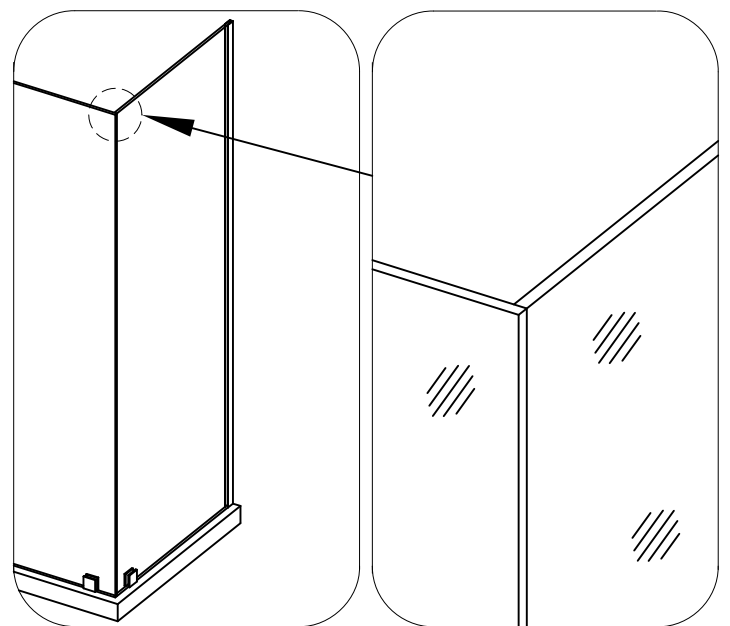


Figure 12

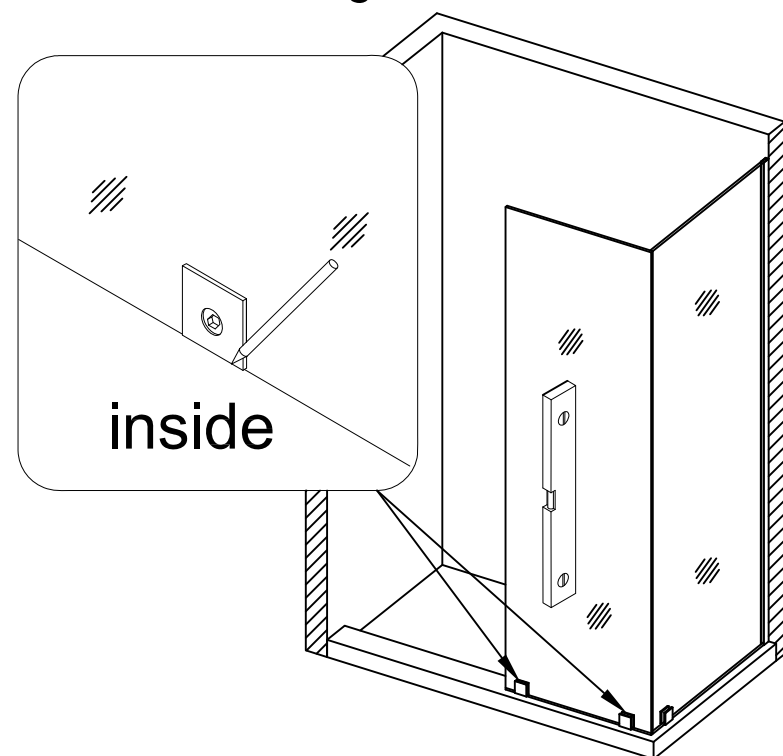


Figure 13

14. Carefully place the Stationary glass(9) aside.

NOTE:

Never set your glass down directly onto a tile or concrete floor. Always use a piece of wood or cardboard and leave the corner pads on the glass until it becomes necessary to remove them to protect the bottom edge and the corners of the glass from breakage.

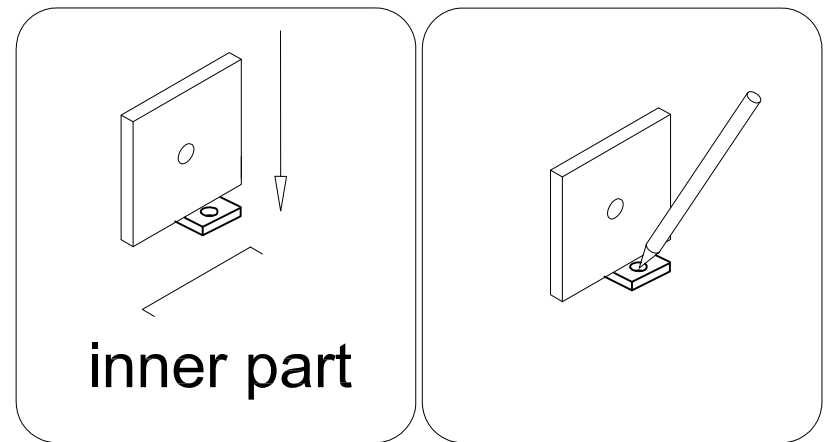


Figure 14

Remove the Glass clamp (13) from the Stationary glass(9). Next position the Glass Clamp (13) with marked location on shower base and mark the hole locations for attaching Glass clamp (13) to shower base.

See Figure 14 for details

15. Using the appropriate drill bit for your floor surface drill hole location with a 5/16" diameter drill bit.

See Figure 15 for details.

NOTE: If your surface is prone to cracking or chipping then it is recommended that you pilot drill first using a smaller drill bit, and then step up to the final size.

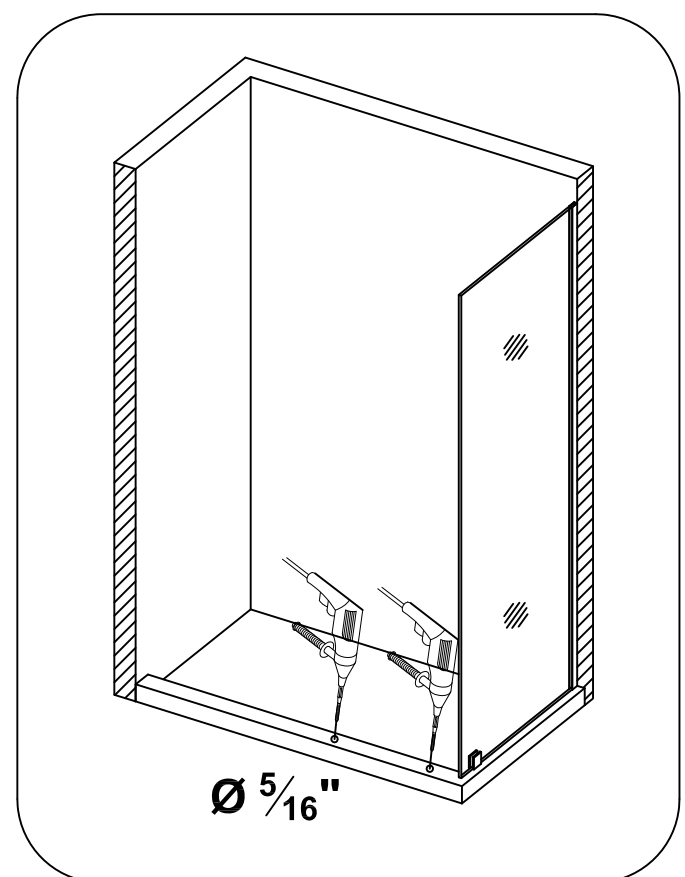


Figure 15

16. Install the plastic Wall anchors (11) provided into the drilled holes on floor surface.

See Figure 16 for details.

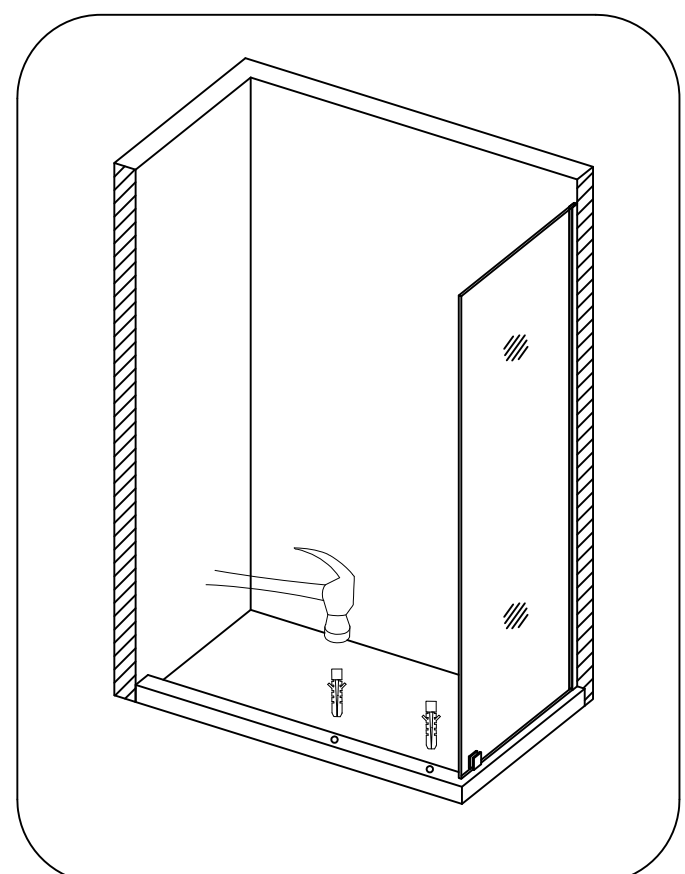


Figure 16

17. Install the Glass clamps (13) to shower base using M4x60 screws.

See Figure 17 for details.

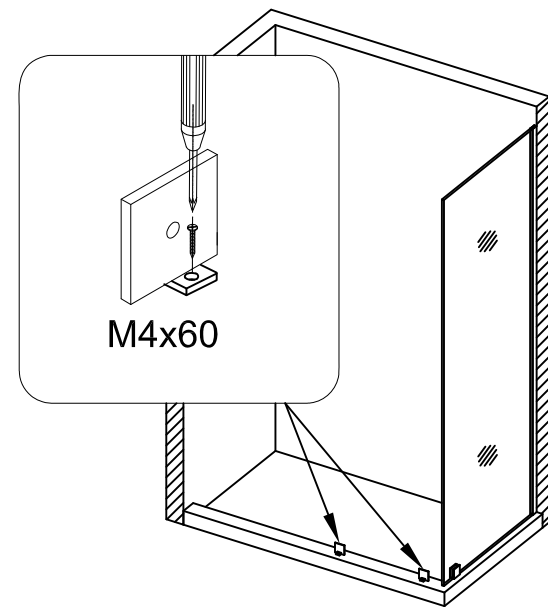


Figure 17

18. Install glass clamps (13) to Stationary glass(9).

See Figure 18 for details.

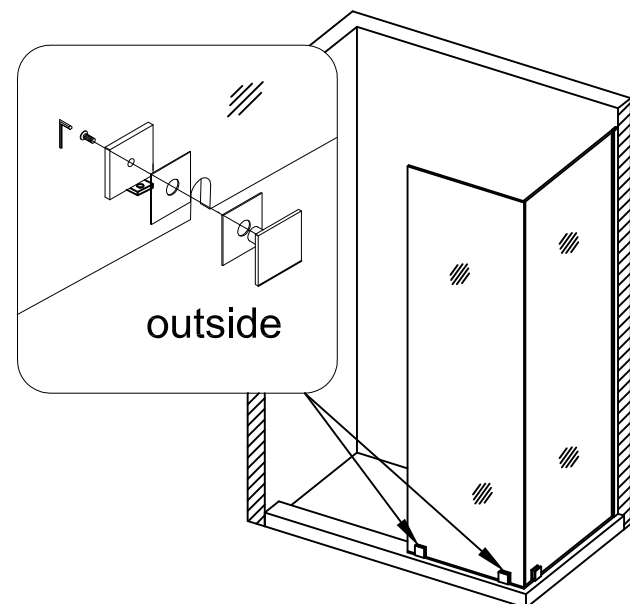


Figure 18

19. Loosen set screws in L glass clamp (15) and connect corner joint of Stationary glass panel (9) and Return glass panel (18). Tighten into place to secure.

See Figure 19 for details.

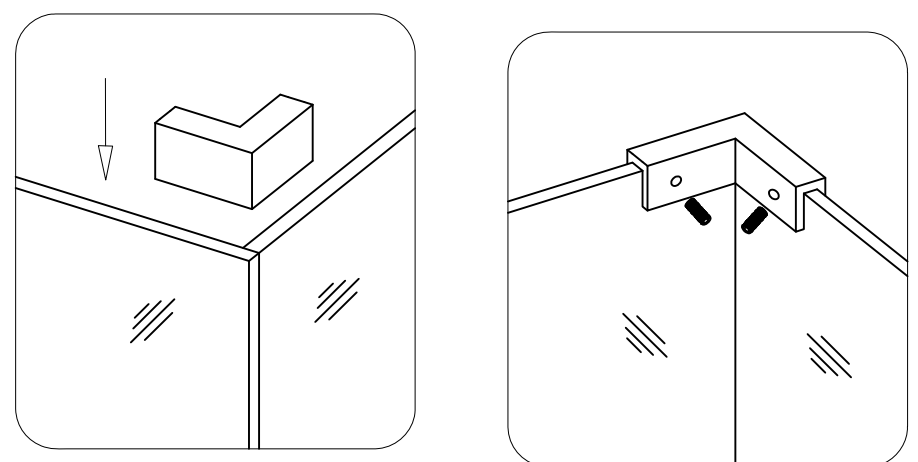


Figure 19

20. Install the Anti-water strip seal(14) onto the vertical edge of the Stationary glass nearest glass clamp.

See Figure 20 for details.

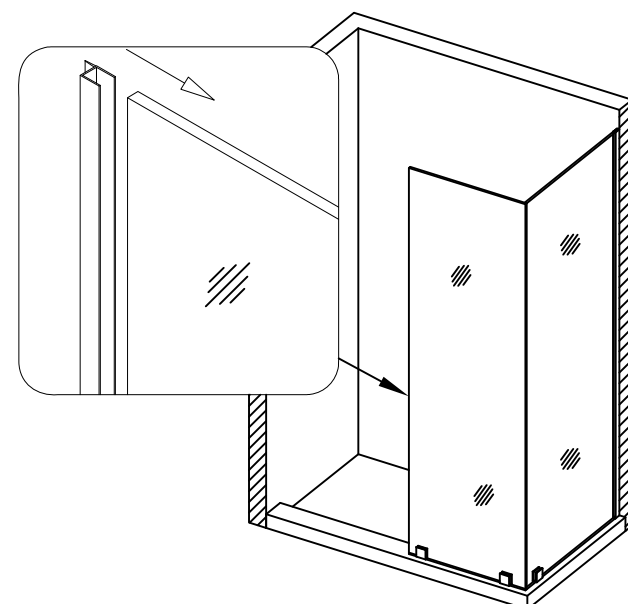


Figure 20

This model is treated with Aston's STARCAST/Enduro Shield Glass technology. The Glass door should be installed so that the Enduro Shield label is to the outside of shower (coated glass surface to inside of shower.)

21. Attach the Hinges (05) to Glass door (01). The smooth flat surface of Hinge (05) should be installed on outside of glass door. See Figure 20 for details.

NOTE:

Never set your glass down directly onto a tile or concrete floor.

Always use a piece of wood or cardboard and leave the corner pads on the glass until it becomes necessary to remove them to protect the bottom edge and the corners of the glass from breakage.

22. Place a board (1/2" thick) on the threshold or the shower base. Remove the corner pads from the Glass door (01). Place the Glass door (01) on the 1/2" thick board. Carefully position the hinged side of shower door against the wall and check with level for plumb. While securely holding the the Glass door (1) in position, align with Stationary glass (9). If needed, adjust the position of the Glass door so that the Anti-Water strip seal makes tight contact to the Stationary glass from top to bottom.

See Figure 22 for details.

NOTE:

The top of Stationary glass (9) should be level with the top of Glass door (1), and the Stationary glass (9) and Glass door (1) should be in alignment so that the Anti-Water strip seal has tight contact to the Glass door from top to bottom.

Optional: If the gap is larger than 1/2" add the U-shaped strip to vertical edge of glass door (01).

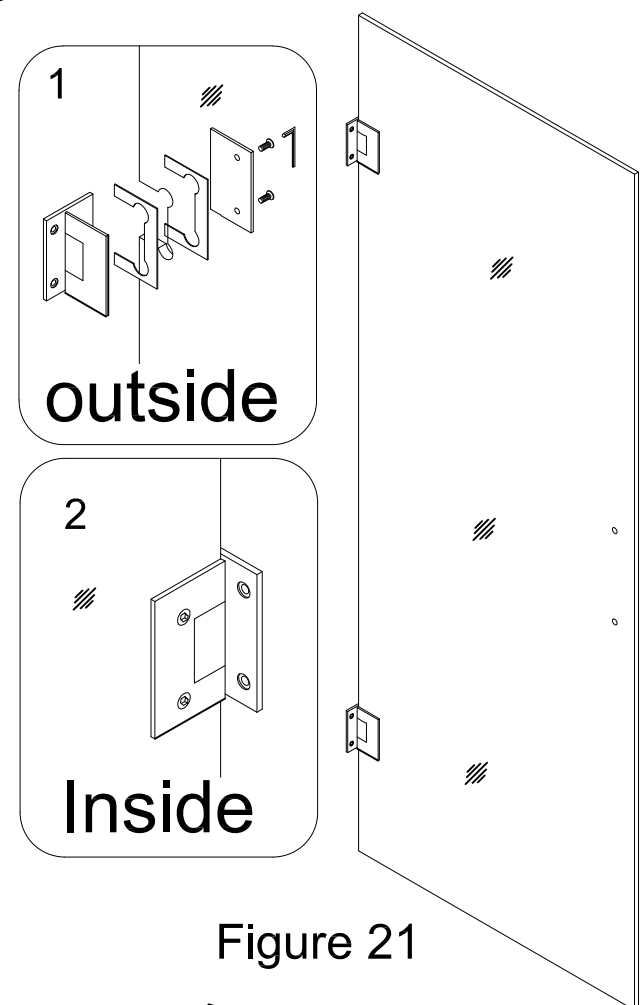


Figure 21

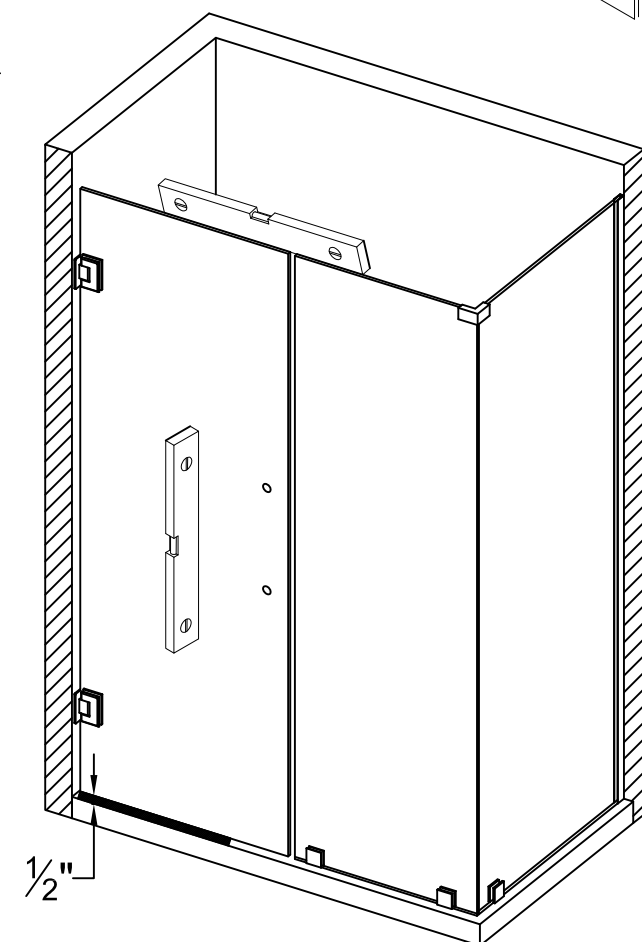
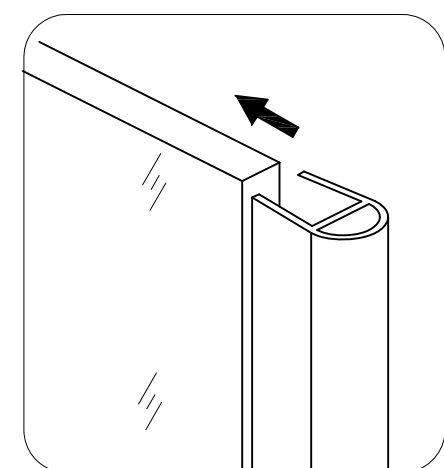


Figure 22



Optional

23. Holding the door in place mark the hole locations for attaching hinges (05) to shower wall.

Set the door aside and drill the holes in the wall using $\varnothing \frac{5}{16}$ " drill bit.

Install the wall anchors (03) into the drilled holes.

Position the Glass door (01) back on the 1/2" thick board and attach both hinges to the wall using M5X60 screws (04).

Note: Smooth flat surface of Hinge (05) should be installed on outside of glass door.

See Figure 23 for details.

ATTENTION:

This door is extremely heavy and the hinges on this door must be attached to the studs or to preinstalled 2X6 wood reinforcement behind the wall.

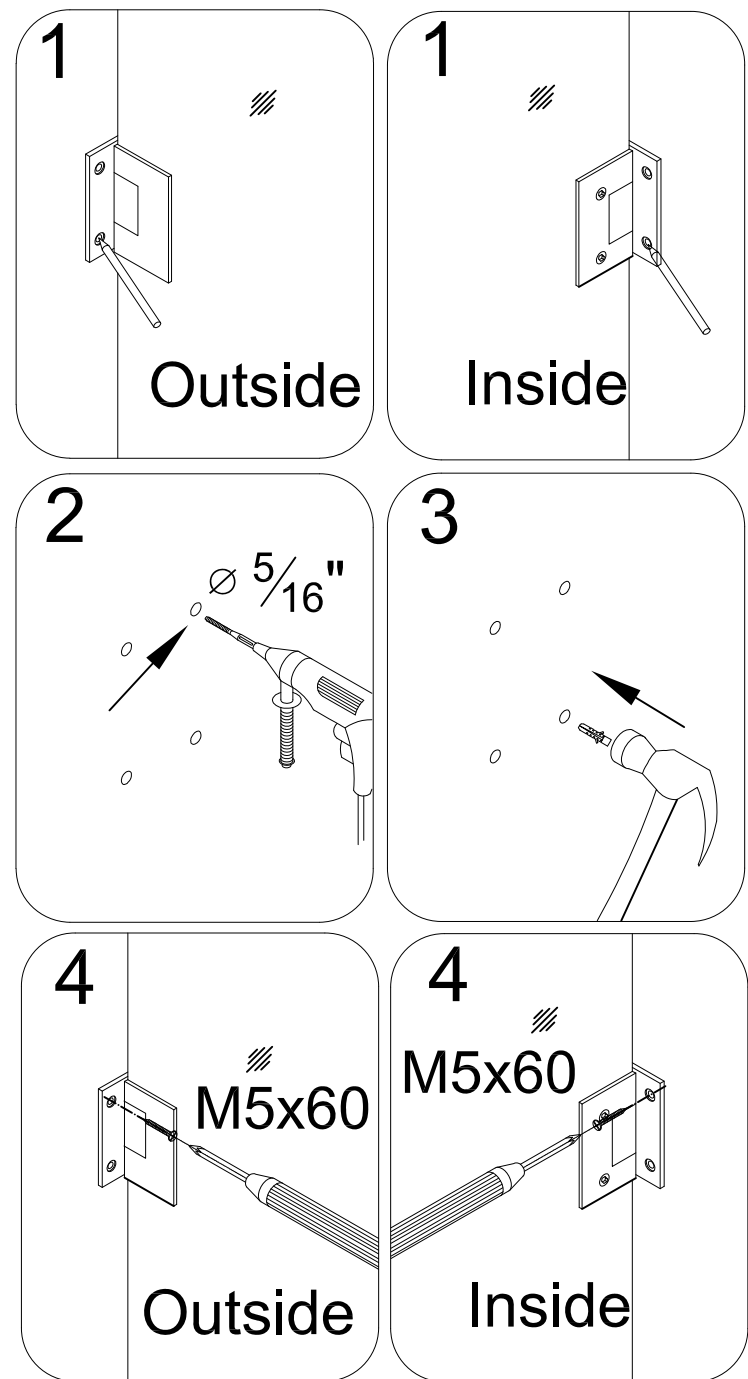


Figure 23

24. Install the Handle (05) to the Glass Door (01) using the hardware provided.

See Figure 24.

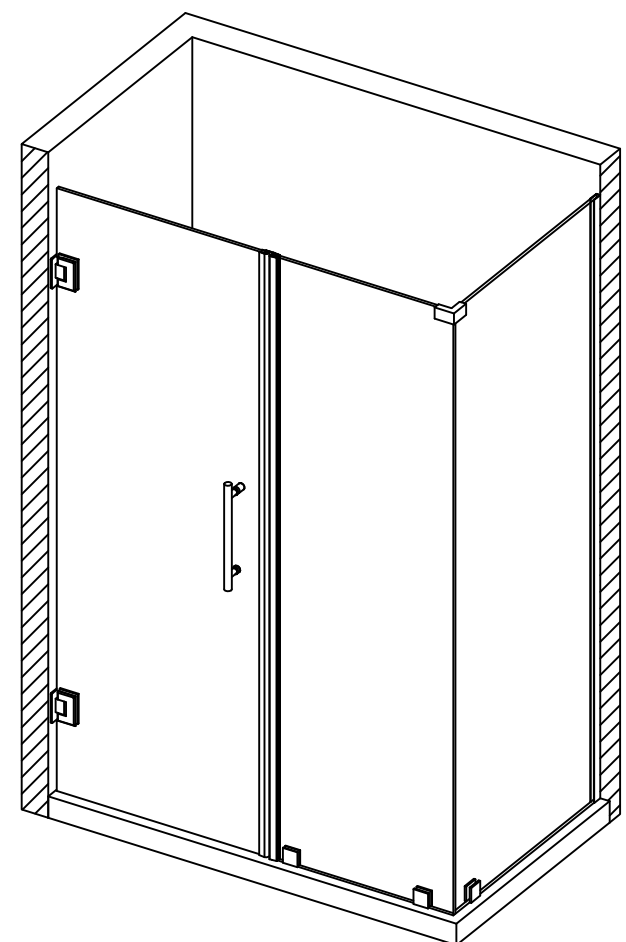
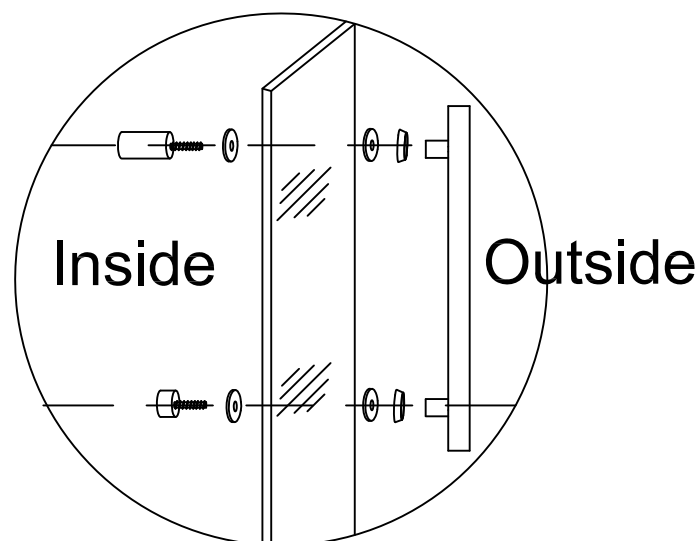


Figure 24

NOTE: DO NOT attach the handle to the door glass until instructed to install. DO NOT use the handle to lift the glass during installation. This may result in damage to the glass and/or serious injury.

25. Locate the Side Strip seal (06), measure and cut lengths at $8 \frac{1}{16}$ " , $48 \frac{3}{8}$ " and $8 \frac{1}{2}$ ".

- Install the $8 \frac{1}{16}$ " cut Side Strip seal to the top edge of glass door to the edge of the top hinge.
- Install the $48 \frac{3}{8}$ " cut Side Strip seal to the edge of glass door between the upper hinge and lower hinge.
- Install the $8 \frac{1}{2}$ " cut Side Strip seal to the edge of glass door below the lower hinge. After installation the Side Strip seal should be $\frac{1}{16}$ " above shower base threshold.

See Figure 25 for details.

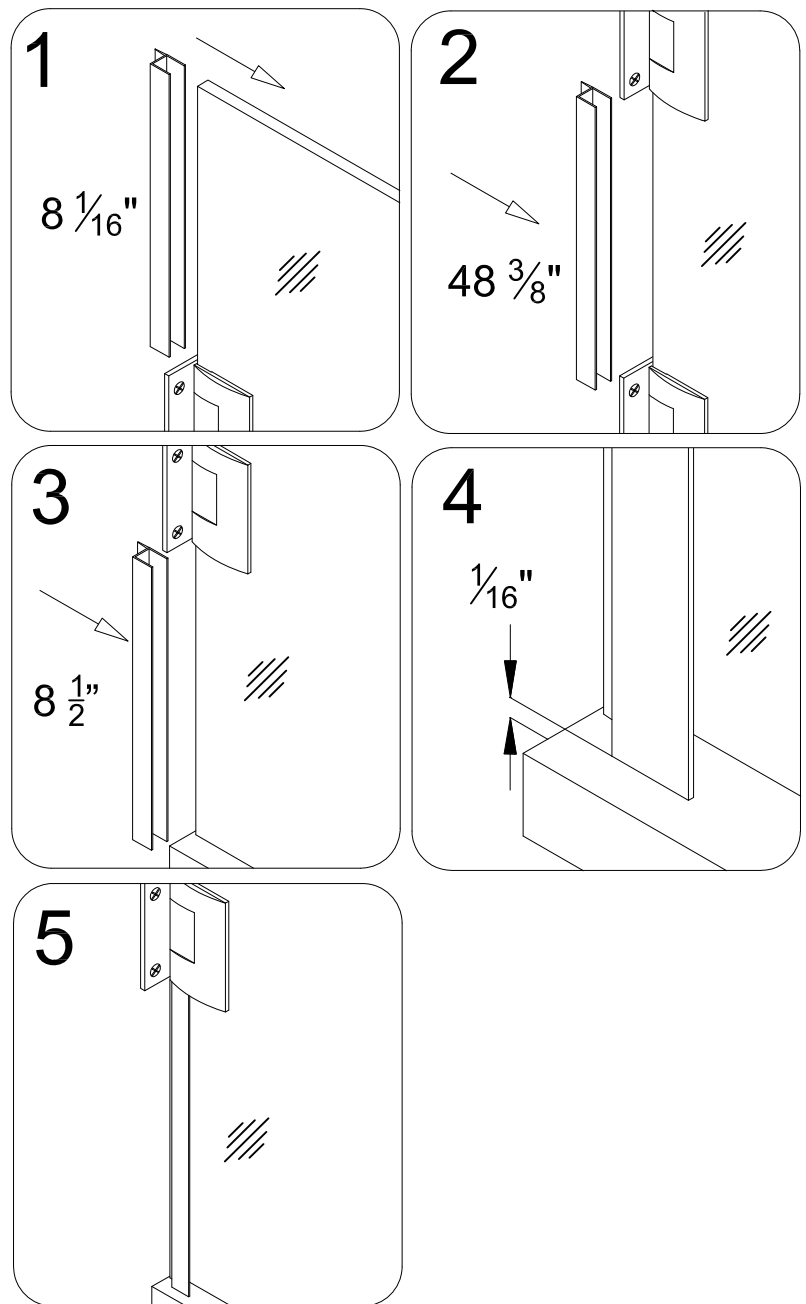


Figure 25

26. Measure the bottom of the Glass door (01) from the Side strip (06) to the vertical edge of glass door(01). (Handle side of Glass Door)

Cut the Bottom anti-water strip (07) to the size of your measurement and notch $\frac{3}{8}$ " of the inner side of the Bottom anti-water strip.

See Figure 6 for details.

ATTENTION:

Prior to next step, please be sure that the section of the wall of the wall for installation of the L-shaped strip (07) is clean, dry and free from soap, oil and any construction debris.

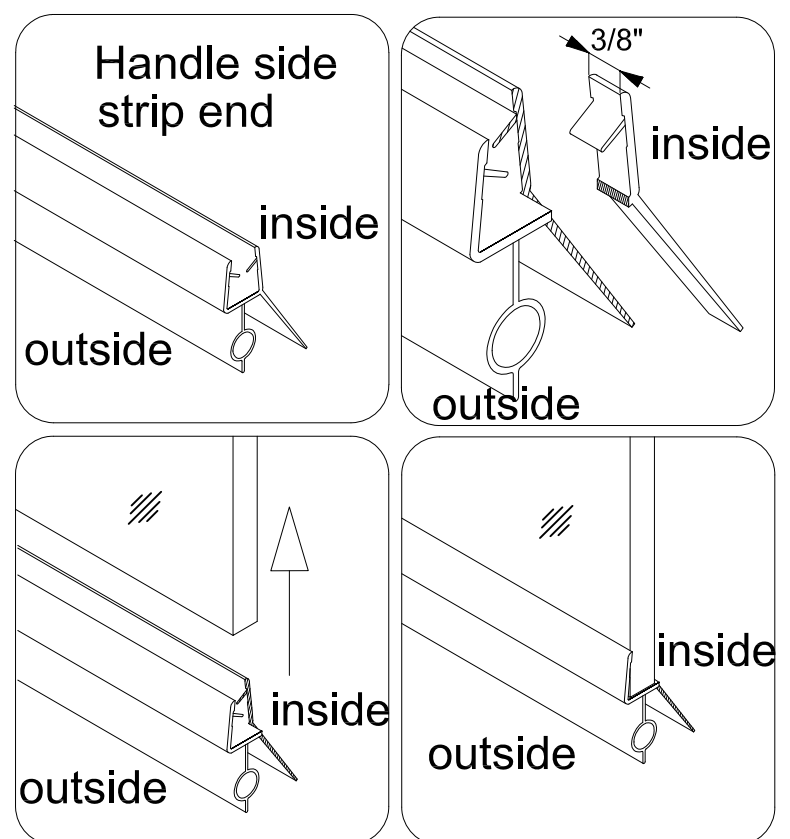


Figure 26

27. Apply silicone sealant to edge of Stationary glass panel and Return Glass panel. Apply silicone sealant to bottom edge of Stationary glass panel at threshold. Apply silicone sealant to bottom edge of Return glass panel and shower base.

See Figure 27 for details.

NOTE:

If the Stationary glass panel is 6" or 14" wide, the shower door installation is complete.

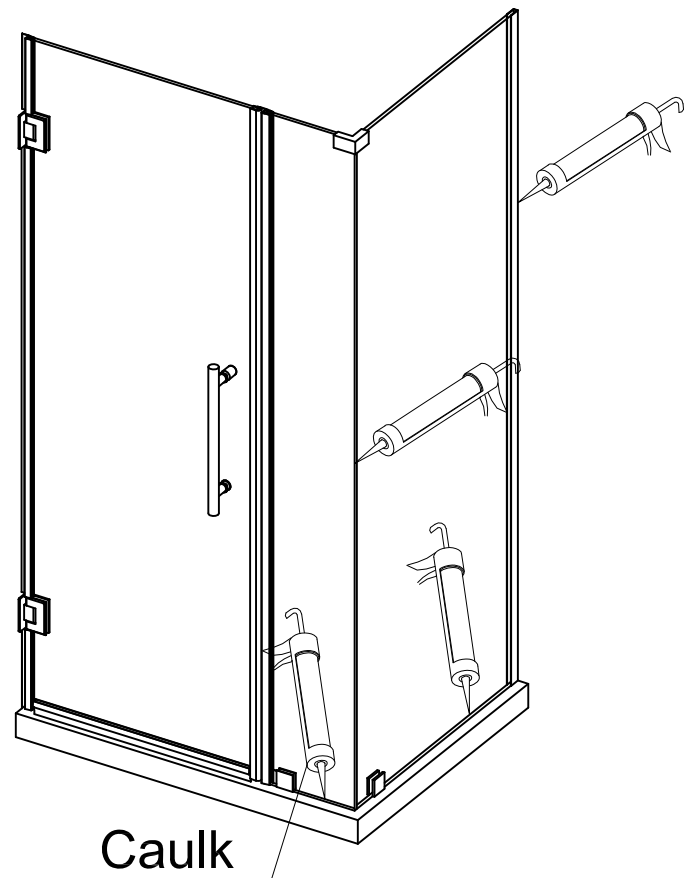


Figure 27

If the Stationary glass panel (9) is 22" wide or larger, please continue your installation:

Support Bar Assembly and Installation (Style A)

NOTE: Please use parts from Diagram "A" for the Support Bar assembly and installation.

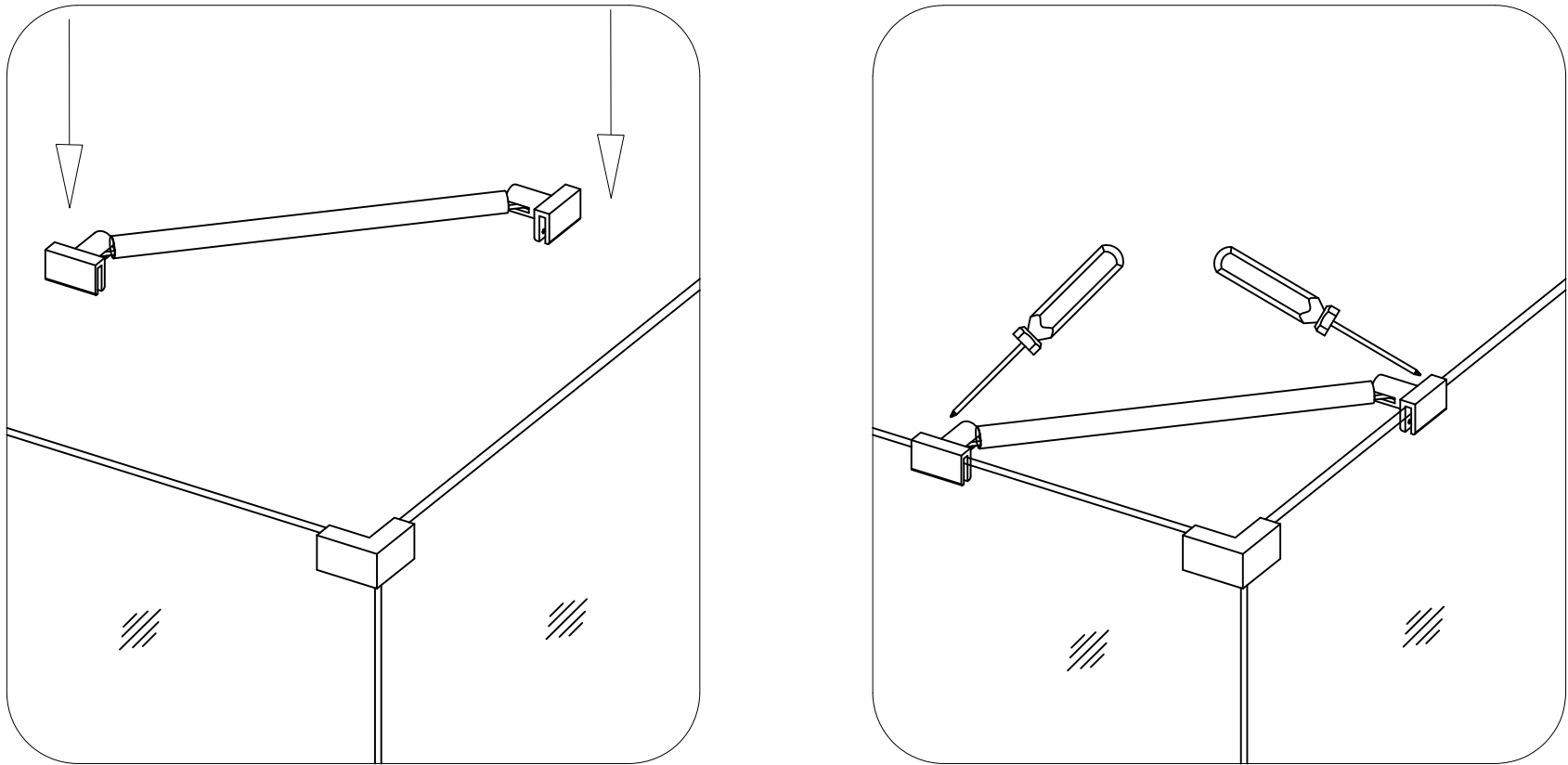
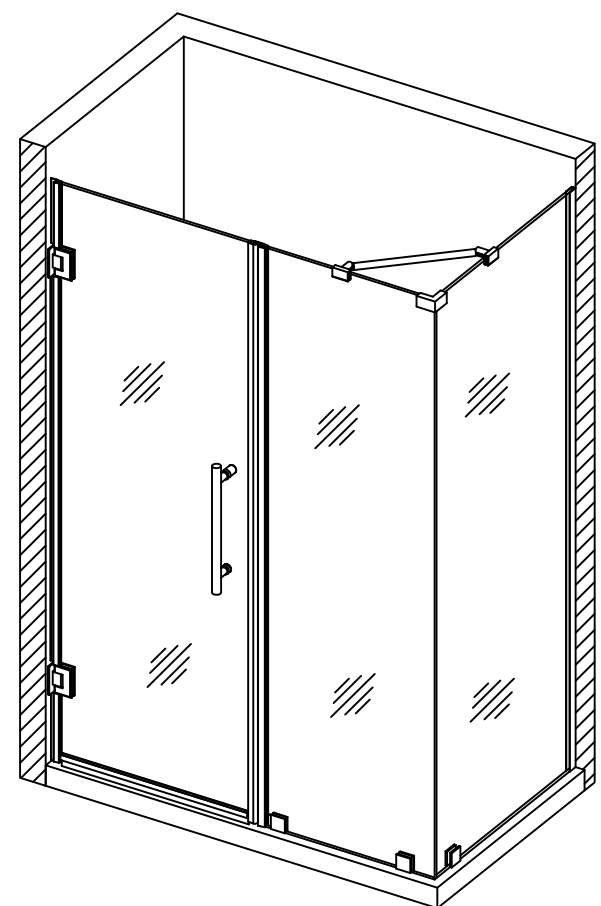


Figure 28

28. Loosen set screws in both ends of support bar and connect to Stationary glass panel (9) and Return glass panel (18) with vinyl sleeve in place in between the glass and support bar connectors. Tighten set screws to secure.



Glass Shelves Assembly and Installation (Style B)

NOTE: Please use parts from Diagram "B" for the Glass Shelves assembly and installation.

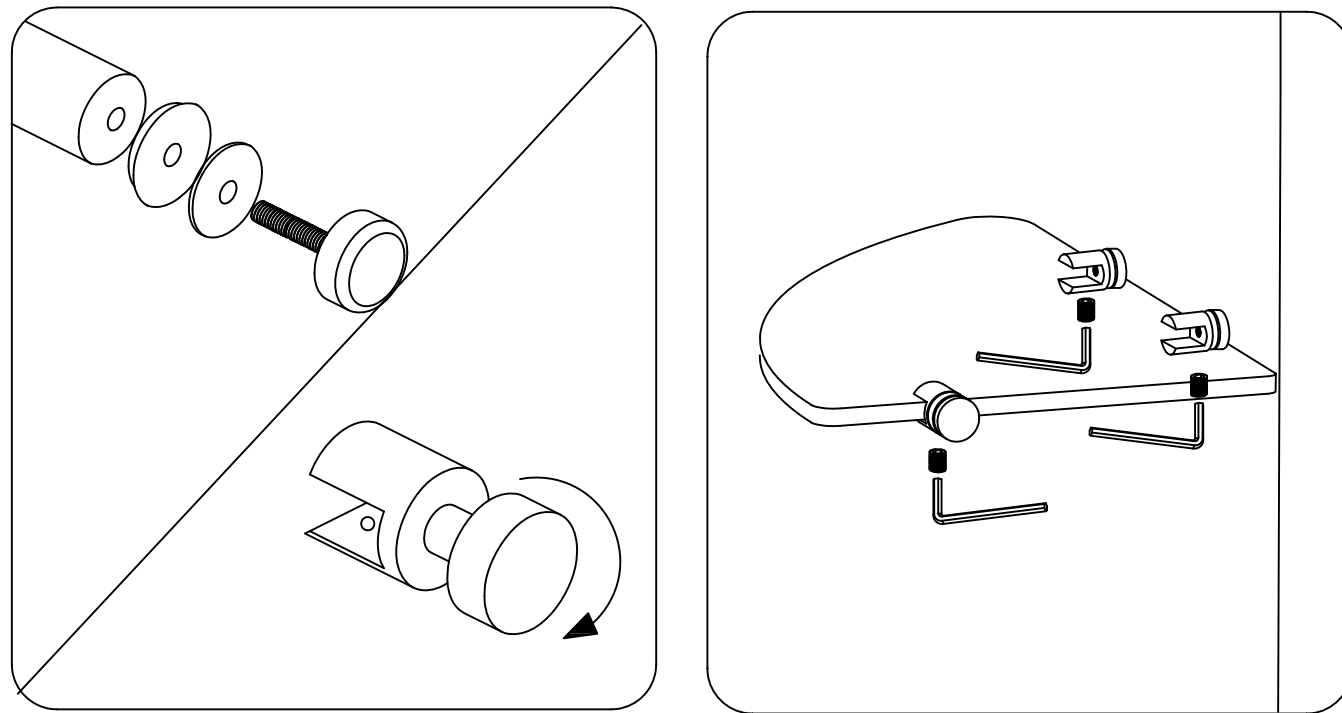
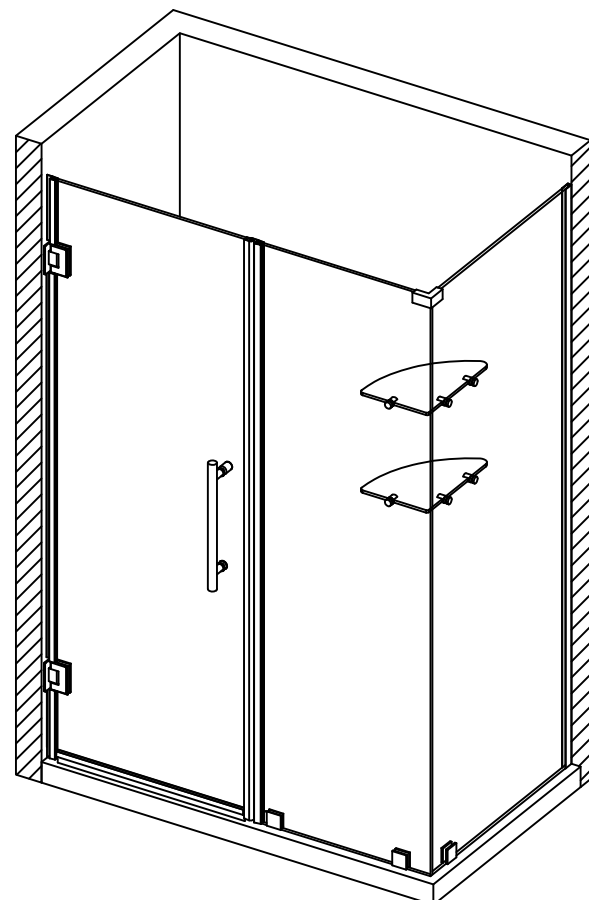


Figure 28

28. Attach the Shelf brackets (22) to the Stationary glass panel (9) and to the Return glass pane(18). Insert the Glass shelves into the Shelf brackets (22) and fasten the set screws at bottom of shelf brackets to secure.



Care and Maintenance

As with any other luxury item, maintenance and care are critical to the long lasting quality and enjoyment of your shower door and tray. The proper care and maintenance outlined in this section are necessary to ensure the longevity of the unit. Damage caused by not following the care and maintenance guidelines in this section is not covered under the manufacturer's warranty.

StarCast by EnduroShield makes your cleaning easier and less frequent; however it recommended that your continue to clean the surfaces regularly. Please see the Enduro Shield Care and Maintenance section for detailed maintenance requirements.

ASTON GLOBAL INC. – Limited Warranty

This warranty applies to products purchased from Aston Global Inc. after May 1, 2017.

Aston Global Inc., a Texas Corporation ("Aston"), provides the following warranty coverage for shower doors and enclosures, bathtubs, shower panels and related components (The Products). Aston warrants that The Products shall be free from defects in material and workmanship from the date of the original sale of the product by Aston (the "limited warranty period"), subject to the following conditions. This warranty extends to the original owner/end-user only, in its original place of installation and is not transferable to subsequent owners. Aston reserves the right to modify this warranty at any time; however, modifications will not change the warranty provisions in effect at the time of sale of the products in question. This warranty applies only to products sold by Aston and purchased from an Aston-authorized dealer. Proof of purchase / original sales receipt from the original consumer purchase must be provided with all warranty claims.

This limited warranty does not cover glass provided by others or outside fabrication provided by others, nor does it cover defects in material or workmanship caused by improper installation of the product; use of improper cleaning products or materials; or caused by accidents, owner or installer negligence, alterations, abuse or misuse. This limited warranty is limited to the repair and replacement of the defective product originally sold by Aston, or, at Aston's sole discretion, the payment to the original user of the original purchase price for the product paid to Aston. Aston is not responsible for the removal or reinstallation of a product requiring warranty service or the cost thereof. Shipping cost to replace product or parts covered by this warranty are the responsibility of the original user.

Aston disclaims liability for special, incidental or consequential damages. **ASTON'S LIABILITY SHALL NOT EXCEED THE PURCHASE PRICE OF THE UNIT IN QUESTION.**

In order to make a warranty claim, the original user shall notify the Aston Customer Service Department within thirty (30) days of discovering the defect and/or problem. The original user can provide notice by calling Aston's Technical Service Department at (877)-424-9699, or by sending written notice to: 2805 Market Street, Suite 187, Garland, TX 75041, Attention: Customer Service Department. The notification shall specify the date the product was originally sold by Aston, the registration code, and the nature of the defect in material and/or workmanship. Based on such notification, Aston may request additional information from the original user to verify the claim.

This warranty is extended to residential applications only. The warranty for commercial installations is one year.

Aston products must be installed in accordance with Aston's installation instructions by a fully insured, licensed and skilled professional. Installation of The Products by anyone other than a fully insured licensed professional shall void the warranty. Aston recommends that licensed and skilled professionals have experience installing bathroom products, specifically shower and tub doors. Installation by an unlicensed or inexperienced installer may result in damage and/or breakage to the Products and may cause personal injury.

PARTS ONLY WARRANTY

This warranty is extensive in that it covers replacement of all defects. LABOR CHARGES AND/OR DAMAGE INCURRED DURING INSTALLATION, REPAIR, OR REPLACEMENT, AS WELL AS ANY OTHER KIND OF ANCILLARY COST, LOSS OR DAMAGE ARE EXCLUDED.

COMMERCIAL USE AND OTHER EXCLUSIONS

This warranty excludes all industrial, commercial and business usage. The warranty period for products installed for commercial applications or used in commercial ventures, including but not limited to motels, hotels, casinos, student housing, condos, apartments, and fitness centers, is a one (1) year limited warranty from the date of purchase for shower doors, bathtub doors, shower enclosures, shower bases, and backwalls, with all other terms of this warranty applying except the duration of the warranty. Aston hereby disclaims all warranties for products sold as dealer or store displays.

WARRANTY TERMS

Aston will, at its election, repair or replace the product found by Aston in its sole judgment, to be defective within the warranty period under normal residential use and maintenance. The replacement of a product is limited to supplying a replacement product or part (same as existing or if not available, comparable product). Aston's warranty obligation shall be discharged upon tender of parts, replacement or repair of the product. Purchaser's refusal to accept the tender terminates all warranty obligations and VOIDS THE WARRANTY. Cost of freight for returning products to Aston for repairs or replacement under this limited warranty is the responsibility of the customer. Cost of freight associated with shipping of replacement product(s) or parts covered by this warranty is the responsibility of the original user. Any product replaced or repaired during the warranty period will be covered only for the remaining period of the original warranty. In no event will Aston be liable for costs of repair or replacement of any installation material, including but not limited to tile, marble, etc. **ASTON IS NOT RESPONSIBLE FOR INSTALLATION, REMOVAL OR REINSTALLATION COSTS OF ANY PRODUCT REQUIRING WARRANTY SERVICES.**

Any modification or alteration of any Aston products will void the warranty. Neither the authorized Aston dealer, nor any other person is permitted to make any affirmation, representation, or warranty other than those contained in this warranty. Any affirmation, representation, or warranty other than those contained in this warranty shall not be enforceable against Aston or any other person.

Aston product installations and repairs must be performed by either an Aston authorized agent or a licensed, insured and experienced professional contractor - installation or repairs performed by any other party shall void the warranty. This warranty shall not apply to breakage or damages caused by normal wear and tear, fault, carelessness, abuse, misuse, misapplication, improper maintenance, alteration or modification of the unit, as well as chemical or natural corrosion, accident, fire, flood, act of God or any other casualty. Improper care and cleaning will void the warranty. Use of cleaners containing abrasive cleansers, ammonia, bleach, acids, waxes, alcohol, solvents or other products not recommended for hardware finishes, glass or acrylic as they may damage the metal or glass finish of your shower door or shower enclosure and will void the warranty. For additional product maintenance instructions please refer to the product installation manual. Aston is not responsible for any issues arising in connection with errors or omissions in information provided on Aston or dealers' websites. This warranty does not extend to any non-Aston plumbing or components installed by installers, end users or by any party other than Aston.

THE FOREGOING WARRANTIES ARE IN LIEU OF ALL OTHER WARRANTIES, EXPRESSED OR IMPLIED, INCLUDING BUT NOT LIMITED TO THE IMPLIED WARRANTIES OF MERCHANTABILITY AND FITNESS FOR A PARTICULAR PURPOSE. ASTON DISCLAIMS ALL LIABILITY FOR SPECIAL, INCIDENTAL OR CONSEQUENTIAL DAMAGES. ASTON IS NOT LIABLE FOR PERSONAL INJURIES OR DEATH TO ANY PERSON OR FOR ANY DIRECT, SPECIAL, INCIDENTAL OR CONSEQUENTIAL DAMAGE, LOSS OF USE, LOSS OF TIME, LOSS OF PROFITS, INCONVENIENCE, INCIDENTAL EXPENSES, LABOR OR MATERIAL CHARGES, OR ANY OTHER COSTS RESULTING FROM THE USE OF ITS PRODUCTS OR PERTAINING TO THE APPLICATION OF THE PRESENT WARRANTY, OR RESULTING FROM THE REMOVAL OR REPLACEMENT OF ANY PRODUCT OR ELEMENT OR PART COVERED BY THIS WARRANTY.

PRODUCT WARRANTY PERIODS

The laws and regulations that govern the installation and use of shower or tub doors, shower enclosures and shower bases vary widely by region, state or municipality. Except as otherwise provided above, Aston makes no warranties, expressed or implied, including warranties of merchantability and fitness for a particular purpose or compliance with any code. Aston is not responsible for verifying building code restrictions on installation or use and any such compliance is excluded from this warranty. Aston reserves the right to modify this warranty at any time. Such warranty modifications will not alter the warranty applicable at the time of sale of the products in question.

The warranty terms for specific products are listed on the pages that follow.

RESIDENTIAL INSTALLATIONS

SHOWER DOORS and ENCLOSURES

GLASS: Limited Lifetime

Aston warrants the **glass** of shower doors, tub doors and shower enclosures to be free from defects in workmanship and materials under normal residential use for the life of the product.

StarCast Protective Coating by EnduroShield: Ten (10) Years, provided by PCT Global LLC.

For shower doors treated with StarCast protective coating, warranty coverage is provided by its maker, PCT Global LLC. Please register directly with EnduroShield online at

HARDWARE: Limited Lifetime

Aston warrants shower door, tub door and shower enclosure **hardware** (i.e. handles, rollers, hinges, profiles, clips, guides, brackets, towel and support bars) in Polished Chrome and Brushed Stainless Steel finishes to be free from defects in workmanship and materials under normal residential use for life of the product. The warranty for any part in Oil-rubbed Bronze finish shall be limited to one (1) year.

SHOWER BASES: Lifetime Limited

Aston warrants **shower bases** to be free from defects in workmanship and materials under normal residential use for the life of the product.

SEALS, SWEEPS, VINYL COMPONENTS: One (1) Year

Warranty for **plastic seal strips, sweeps** or any other **vinyl components** shall be limited to one (1) year.

* Aston does not warrant glass for scratches, chips, water spots, breaking or any other damage after installation.

FREESTANDING TUBS

TUB SHELL and FRAME: Ten Years

Aston warrants the **Tub Shell and Frame** to be free from defects in workmanship and materials under normal residential use for ten (10) years.

This warranty NOT does cover damage or failure caused by improper handling, modification of any type, improper installation, misuse, lack of proper routine maintenance, the use of improper cleaners or abrasives, accidents or acts of God, nor does it apply to the effects of normal wear and tear. Alteration, customization or modification of the tub, any accessory or any other part voids this warranty.

DRAIN, OVERFLOW AND ACCESSORIES: Limited Lifetime

Aston warrants the freestanding tub **Drain, Overflow and Accessories** in Polished Chrome and Brushed Stainless Steel finishes to be free from defects in workmanship and materials under normal residential use for two (2) years. The warranty for any part in Oil-rubbed Bronze finish shall be limited to one (1) year.

WALK IN TUBS

TUB SHELL: Three (3) Years

Aston warrants the Walk In Tub **Shell** to be free from defects in workmanship and materials under normal residential use for three (3) years.

This warranty does NOT cover damage or failure caused by improper handling, modification of any type, improper installation, misuse, lack of proper routine maintenance, the use of improper cleaners or abrasives, accidents or acts of God, nor does it apply to the effects of normal wear and tear. Alteration, customization or modification of the tub, any accessory or any other part voids this warranty.

DOOR SEAL: Three (3) Years

Aston warrants **Walk In Tub Door Seal** to be free from defects in workmanship and materials under normal residential use for three years.

COMPONENTS and PARTS: Three (3) Years

Aston warrants **Walk In Tub Components and Parts** to be free from defects in workmanship and materials under normal residential use for three (3) years.

Components means only the waste & overflow fittings, controls, faucets, plated finishes, jets, pumps, water lines and connectors supplied by Aston and do not include materials supplied by the dealer from whom you purchased the tub or from the installer of the tub.

SHOWER PANELS: One (1) Year

Aston warrants **shower panels** to be free from defects in workmanship and materials under normal residential use for a period of one (1) year from the initial date of purchase.

STEAM SHOWERS: Three (3) Years

Aston warrants **steam showers** panels to be free from defects in workmanship and materials under normal residential use for a period of three (3) years from the initial date of purchase.

COMMERCIAL INSTALLATIONS

SHOWER DOORS and ENCLOSURES

A: One (1) Year

Aston warrants the **glass** of shower doors, tub doors and shower enclosures to be free from defects in workmanship and materials under normal commercial use for one (1).

HARDWARE: One (1) Year

Aston warrants shower door, tub door and shower enclosure **hardware** (i.e. handles, rollers, hinges, profiles, clips, guides, brackets, towel and support bars) to be free from defects in workmanship and materials under normal commercial use for one (1) year.

SHOWER BASES: One (1) Year

Aston warrants **shower bases** to be free from defects in workmanship and materials under normal commercial use for one (1) year.

SEALS, SWEEPS, VINYL COMPONENTS: One (1) Year

Warranty for **plastic seal strips, sweeps** or any other **vinyl components** shall be limited to one (1) year.

* Aston does not warrant glass for scratches, chips, water spots, breaking or any other damage after installation.

FREESTANDING TUBS**TUB SHELL and FRAME: One (1) Year**

Aston warrants the **Tub Shell and Frame** to be free from defects in workmanship and materials under normal commercial use for the one (1) year.

This warranty does NOT cover damage or failure caused by improper handling, modification of any type, improper installation, misuse, lack of proper routine maintenance, the use of improper cleaners or abrasives, accidents or acts of God, nor does it apply to the effects of normal wear and tear. Alteration, customization or modification of the tub, any accessory or any other part voids this warranty.

DRAIN, OVERFLOW AND ACCESSORIES: One (1) Year

Aston warrants the freestanding tub **Drain, Overflow and Accessories** in Polished Chrome, Brushed Stainless Steel and Oil Rubbed Bronze finishes to be free from defects in workmanship and materials under normal commercial use for one (1) year.

WALK IN TUBS**TUB SHELL: One (1) Year**

Aston warrants the **Walk In Tub Shell** to be free from defects in workmanship and materials under normal commercial use for one (1) year.

DOOR SEAL: One (1) Year

Aston warrants **Walk In Tub Door Seal** to be free from defects in workmanship and materials under normal commercial use for one (1) year.

COMPONENTS and PARTS: One (1) Year

Aston warrants **Walk In Tub Components and Parts** to be free from defects in workmanship and materials under normal commercial use for one (1) year.

SHOWER PANELS: One (1) Year

Aston warrants **shower panels** to be free from defects in workmanship and materials under normal commercial use for a period of one (1) year from the initial date of purchase.

STEAM SHOWERS: One (1) Year

Aston warrants **steam showers** panels to be free from defects in workmanship and materials under normal commercial use for a period of one (1) year from the initial date of purchase.

STATE LAWS AND THIS WARRANTY

Laws and regulations governing the installation, design and installation the products in construction applications vary widely. Aston does not have any control over and disclaims all responsibility and liability for selection, configuration, installation and operation of the products. The obligation of Aston to provide coverage under this limited warranty is expressly subject to the condition that the original user activates the warranty within 30 days of purchase by registering on-line or calling 1 (877) 424-9699.

Some states do not allow limitations on how long an implied warranty lasts, so the above limitation may not apply to you. Some states do not allow the exclusion or limitation of incidental or consequential damages, so the above exclusion of incidental damages may not apply to you. This warranty gives you specific legal rights, and you may have other rights which vary from state to state.

SOLE REMEDY / LIMITATION OF DAMAGES: THE REMEDY PROVIDED ABOVE UNDER "SCOPE OF COVERAGE" IS CUSTOMER'S EXCLUSIVE REMEDY FOR ANY DEFECT OR MALFUNCTION OF THE PRODUCT. To the fullest extent allowed by law, SANIJET disclaims and excludes liability for consequential and incidental damages including, but not limited to, loss of use, lost rentals, lost profits, loss of business reputation, out of pocket expenses, damage to property other than the warranted product, mental anguish and punitive damages. Some states limit or do not allow the exclusion or limitation of incidental or consequential damages, so some or all of these limitations may not apply to you.

STATE LAW RIGHTS: This warranty gives you specific legal rights, and you may also have other rights which vary from state to state. THE DURATION OF ANY IMPLIED WARRANTIES UNDER STATE LAW, INCLUDING THE IMPLIED WARRANTIES OF MERCHANTABILITY AND FITNESS FOR A PARTICULAR PURPOSE, SHALL NOT EXTEND BEYOND THE WARRANTY PERIOD DESCRIBED ABOVE. Some states do not allow limitations on how long an implied warranty lasts, so this limitation may not apply to you.



**Customer Service
877-424-9699**

**Aston Global Inc
2805 Market Street, Suite 187
Garland, TX. 75041**

**If further assistance is needed, or you
have a question, please visit our web
site at:**

www.astonbath.com