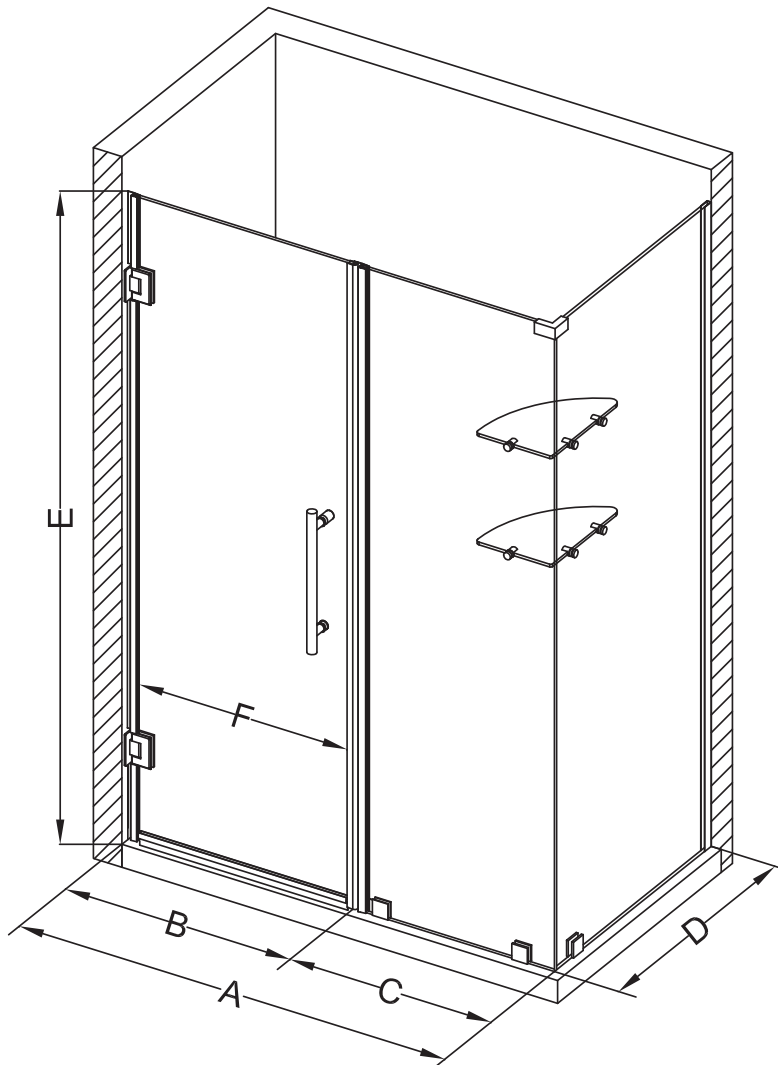
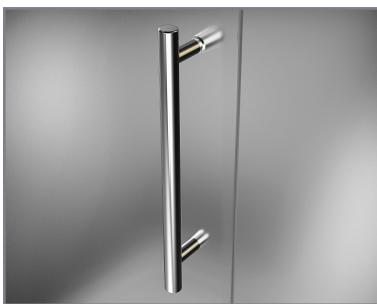


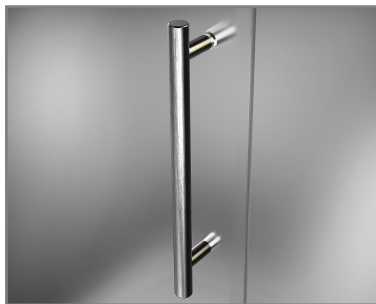
# Aston Bromley GS SEN962-5822



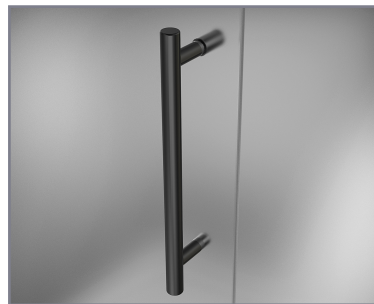
MODEL	WALL OPENING (A)	DOOR PANEL (B)	FIXED PANEL (C)	RETURN PANEL (D)	HEIGHT (E)	DOOR WALK THROUGH (F)
SEN962-582230-10	57 1/4"-58 1/4"	21 5/8"	35 5/8"	30"-30 3/8"	72"	19 5/8"-20 5/8"
SEN962-582232-10	57 1/4"-58 1/4"	21 5/8"	35 5/8"	32"-32 3/8"	72"	19 5/8"-20 5/8"
SEN962-582234-10	57 1/4"-58 1/4"	21 5/8"	35 5/8"	34"-34 3/8"	72"	19 5/8"-20 5/8"
SEN962-582236-10	57 1/4"-58 1/4"	21 5/8"	35 5/8"	36"-36 3/8"	72"	19 5/8"-20 5/8"
SEN962-582238-10	57 1/4"-58 1/4"	21 5/8"	35 5/8"	38"-38 3/8"	72"	19 5/8"-20 5/8"



POLISHED CHROME



STAINLESS STEEL



OIL RUBBED BRONZE



CLEAR GLASS



**CH** CHROME HARDWARE

**SS** STAINLESS STEEL HARDWARE

**ORB** OIL RUBBED BRONZE HARDWARE



ASTON  
**STARCAST**  
FROM  
EnduroShield

**ASTON**  
ESCAPE THE EVERYDAY