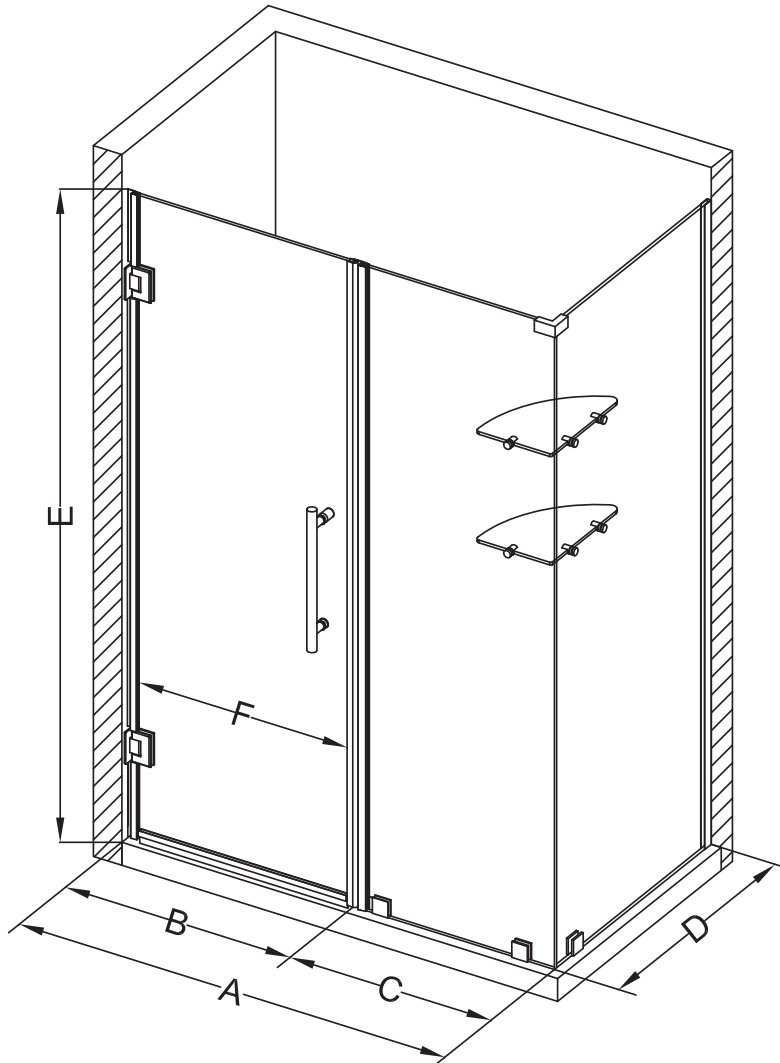
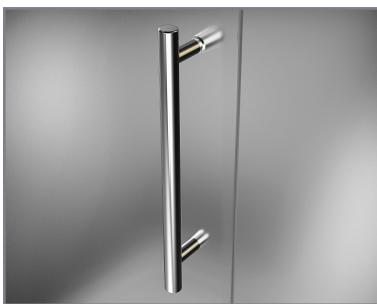


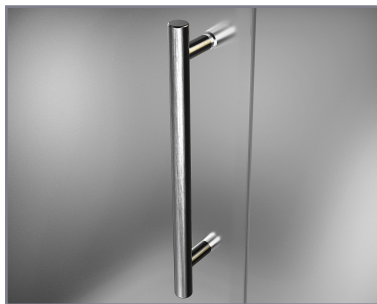
# Aston Bromley GS SEN962-5230



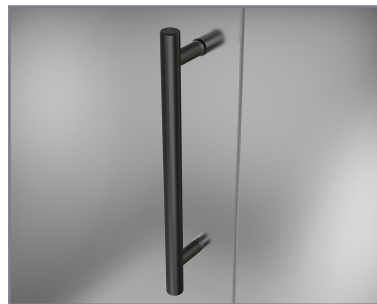
MODEL	WALL OPENING (A)	DOOR PANEL (B)	FIXED PANEL (C)	RETURN PANEL (D)	HEIGHT (E)	DOOR WALK THROUGH (F)
SEN962-523030-10	51 1/4"-52 1/4"	29 5/8"	21 5/8"	30"-30 3/8"	72"	27 5/8"-28 5/8"
SEN962-523032-10	51 1/4"-52 1/4"	29 5/8"	21 5/8"	32"-32 3/8"	72"	27 5/8"-28 5/8"
SEN962-523034-10	51 1/4"-52 1/4"	29 5/8"	21 5/8"	34"-34 3/8"	72"	27 5/8"-28 5/8"
SEN962-523036-10	51 1/4"-52 1/4"	29 5/8"	21 5/8"	36"-36 3/8"	72"	27 5/8"-28 5/8"
SEN962-523038-10	51 1/4"-52 1/4"	29 5/8"	21 5/8"	38"-38 3/8"	72"	27 5/8"-28 5/8"



POLISHED CHROME



STAINLESS STEEL



OIL RUBBED BRONZE



CLEAR GLASS



**CH** CHROME HARDWARE

**SS** STAINLESS STEEL HARDWARE

**ORB** OIL RUBBED BRONZE HARDWARE



REVERSIBLE DOOR

ASTON  
**STARCAST**  
FROM EnduroShield

**ASTON**  
ESCAPE THE EVERYDAY