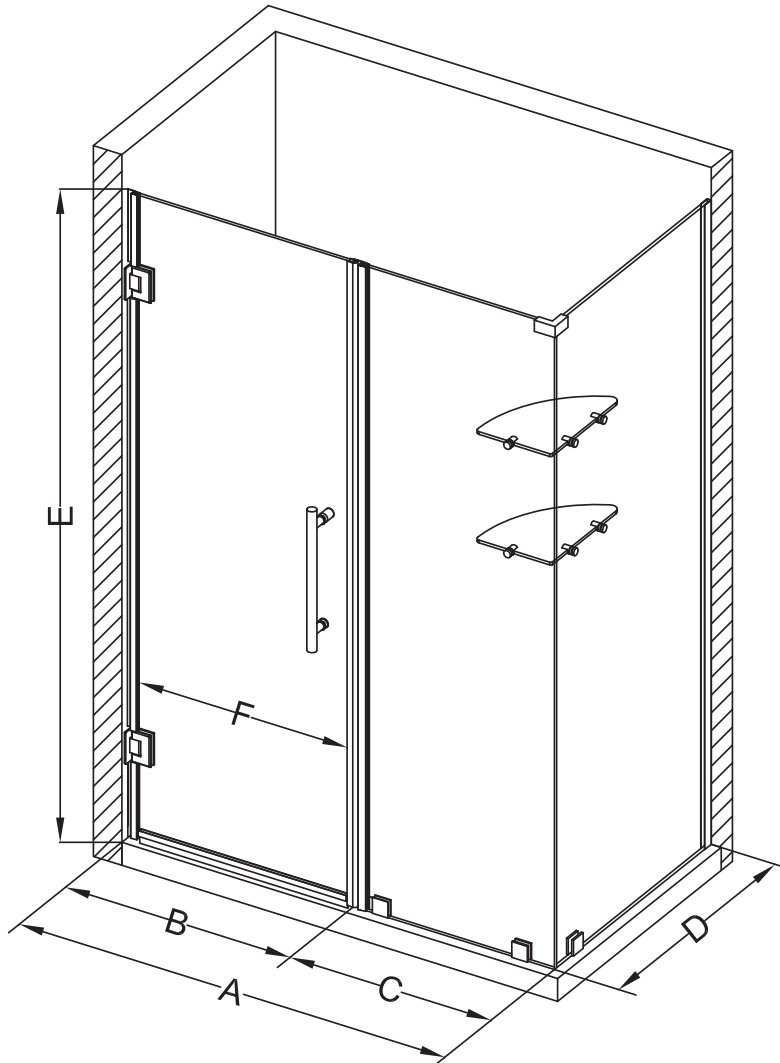
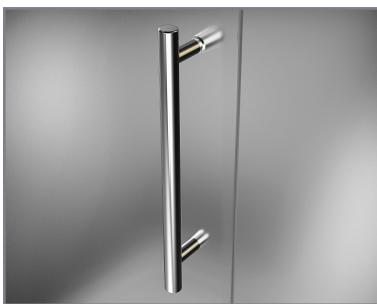


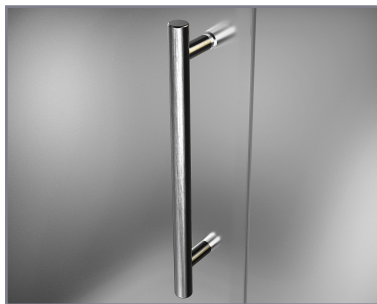
# Aston Bromley GS SEN962-4927



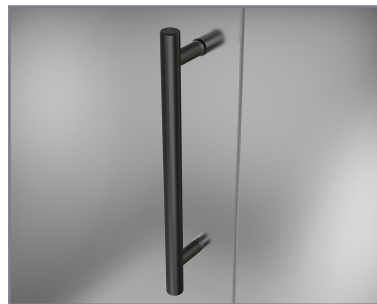
MODEL	WALL OPENING (A)	DOOR PANEL (B)	FIXED PANEL (C)	RETURN PANEL (D)	HEIGHT (E)	DOOR WALK THROUGH (F)
SEN962-492730-10	48 1/4"-49 1/4"	26 5/8"	21 5/8"	30"-30 3/8"	72"	24 5/8"-25 5/8"
SEN962-492732-10	48 1/4"-49 1/4"	26 5/8"	21 5/8"	32"-32 3/8"	72"	24 5/8"-25 5/8"
SEN962-492734-10	48 1/4"-49 1/4"	26 5/8"	21 5/8"	34"-34 3/8"	72"	24 5/8"-25 5/8"
SEN962-492736-10	48 1/4"-49 1/4"	26 5/8"	21 5/8"	36"-36 3/8"	72"	24 5/8"-25 5/8"
SEN962-492738-10	48 1/4"-49 1/4"	26 5/8"	21 5/8"	38"-38 3/8"	72"	24 5/8"-25 5/8"



POLISHED CHROME



STAINLESS STEEL



OIL RUBBED BRONZE



CLEAR GLASS



**CH** CHROME HARDWARE

**SS** STAINLESS STEEL HARDWARE

**ORB** OIL RUBBED BRONZE HARDWARE



REVERSIBLE DOOR

ASTON  
**STARCAST**  
FROM **EnduroShield**

**ASTON**  
ESCAPE THE EVERYDAY