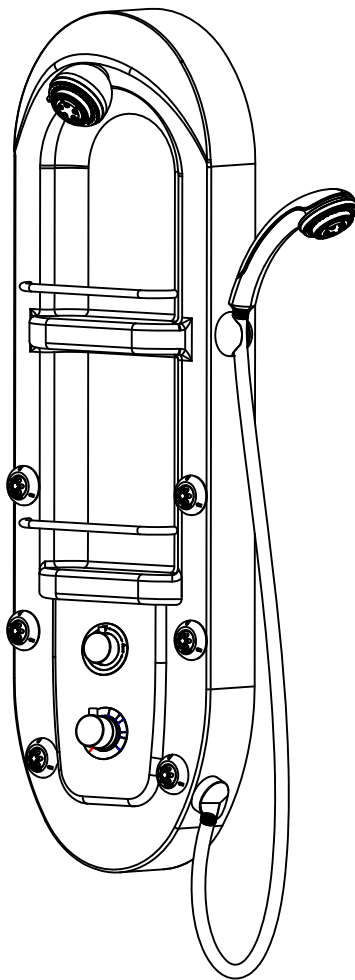


## INSTALLATION AND OWNER'S MANUAL



Shower Panel Model Number: **SPAP120**

Please carefully read these instructions before you begin to install the products.

6/13 Rev D  
P/N:100014-02

## TABLE OF CONTENTS

Before Use.....	2
Safety Instructions.....	3
Installation Instructions.....	4-11
Operation.....	12-13
Troubleshooting.....	14
Care and Maintenance.....	15
Warranty.....	16-18

## Before Use

---

Thank for purchasing an Aston shower panel. We hope that this unit provides you with years of satisfying service.

This instruction manual explains the benefits of using a shower panel and provides installation, operation, and care instructions for your new Aston shower panel.

Please read this manual carefully because it contains information and instructions about the safe installation and operation of the shower panel. If you do not follow certain conditions of installation and maintenance, your warranty may be affected.

The Aston Shower Panel can convert any shower into a spa experience right in your own home. The unit is designed to work with your current plumbing supply lines with standard line pressure and flow rates. Modification to your current shower setup can have you enjoying within just a short time the overhead rain shower, the shower wand, or the soothing body spray jets.

**IMPORTANT: This unit is intended for replacement of your current mixing valve setup. If you plan to use your existing setup then consider using one of Aston's retrofit shower panels.**

Aston shower panels come equipped with many enhanced features as standard equipment, thus eliminating the need to make costly upgrades.

- Overhead rain shower
- Handheld shower wand
- Thermostatic valve
- Body jets
- Multi-position diverter valve
- Two stainless steel braided flexible connection hoses

## Safety Instructions

---

Please read and follow all safety Instructions:

1. **WARNING:** Read and follow all instructions.
2. **WARNING:** Use this unit only for the intended purpose described in this manual; do not use attachments not recommended by the manufacturer.
3. **WARNING:** Never drop or insert any objects into any opening.
4. **WARNING:** Observe reasonable time limits when using this product. Long exposures at high temperatures can cause high body temperatures. Symptoms may include dizziness, nausea, fainting, drowsiness, and reduced awareness. These effects could possibly lead to drowning.
5. **WARNING:** The water jets produce a stream of water with relatively high pressure. Prolonged exposure of high-pressure water to a localized area of the body may cause bruising.

### Certifications:

All Aston Shower panels are 3rd party tested to meet the following US, Canadian and International Standards:

- ASME A112.18.1-2011 / ASME A112.1016-2011
- CSA B125.1-11 / CSA B45 / CSA B125.16-11
- IGC 154-2009

If you require a certification for inspection you can down load one at: [www.pld.iapmo.org](http://www.pld.iapmo.org) and search the word "Aston" or contact our office using the information on the back so one can be emailed.

## Installation Instructions

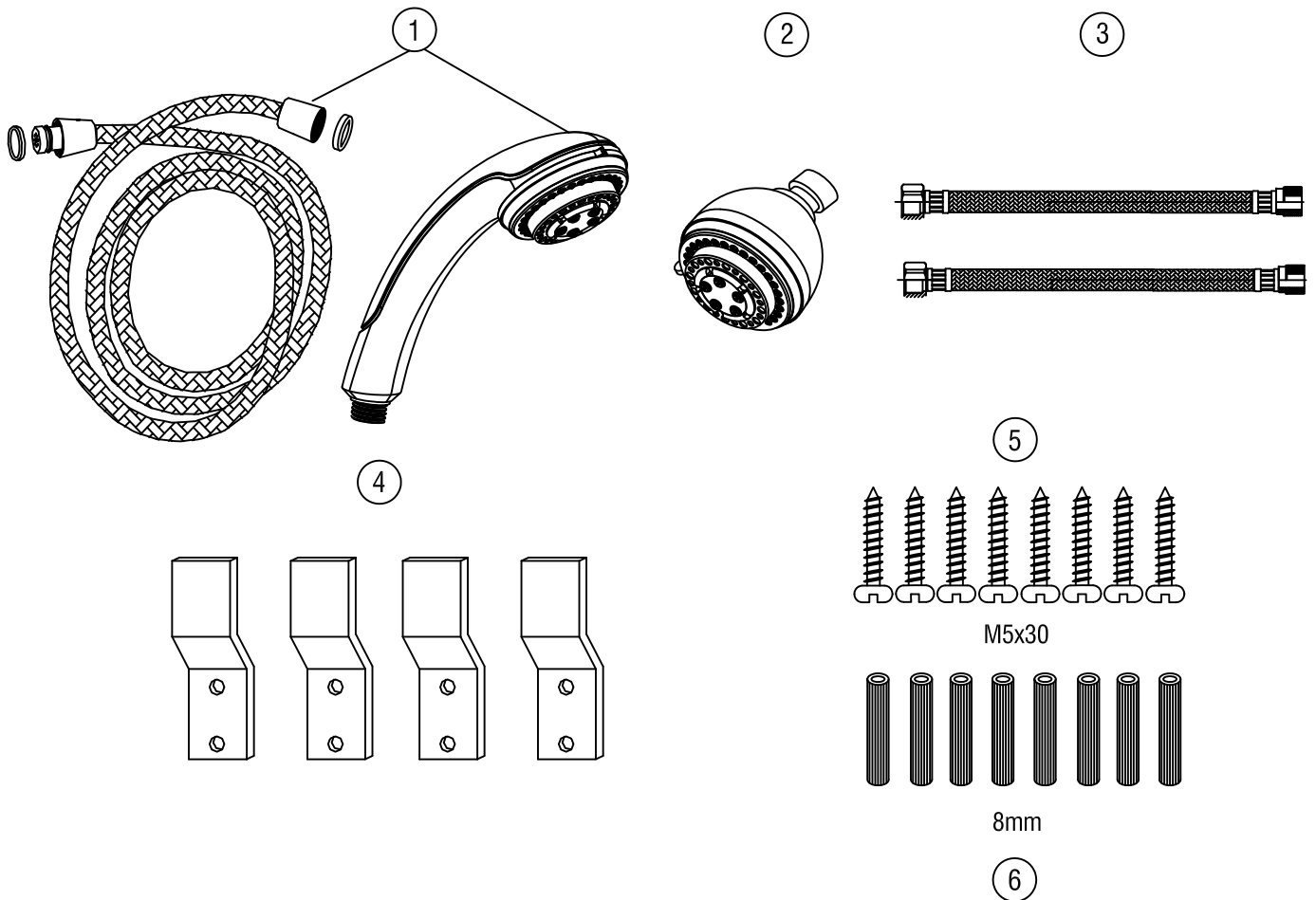
Please read and follow the installation instructions and guidelines in this section. Failure to follow the recommended instructions and installation techniques may lead to possible damage to the unit or the surrounding area and can affect warranty claims.

**ATTENTION:** The installation does require some understanding of simple plumbing techniques. If you are unfamiliar or have question please contact your dealer or a qualified plumber.

You will need to consider several factors when planning for your installation location. While all installations are unique, the following are general guidelines:

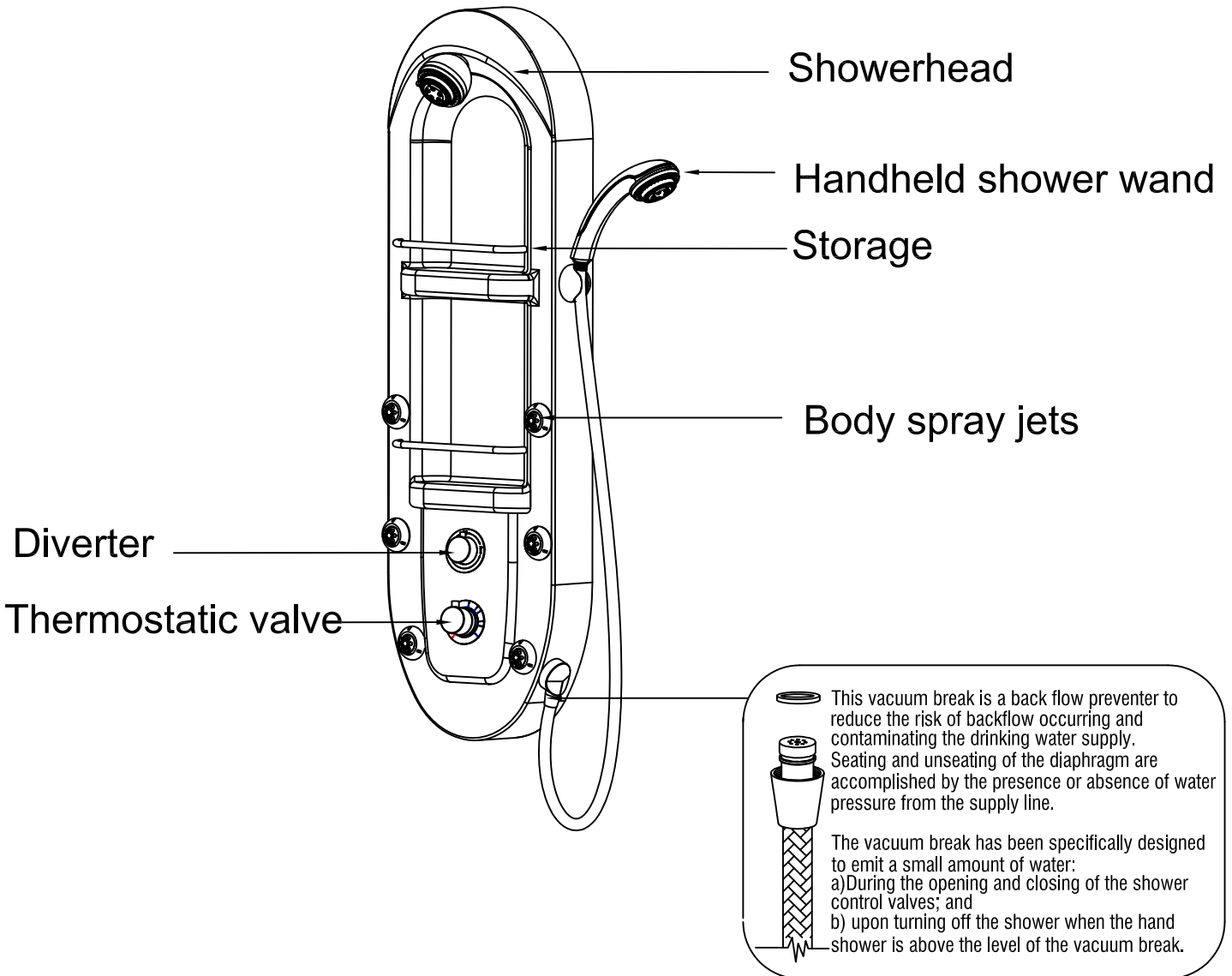
1. The unit is designed for indoor use ONLY.
2. Flexible supply hoses are provided. We recommend that you consider installing individual cut off valves for the hot and cold water supplies.

Before starting the installation, please ensure that you have inspected all components of the unit and check for broken or damaged sections. If you find damage, please contact your dealer or the manufacturer.

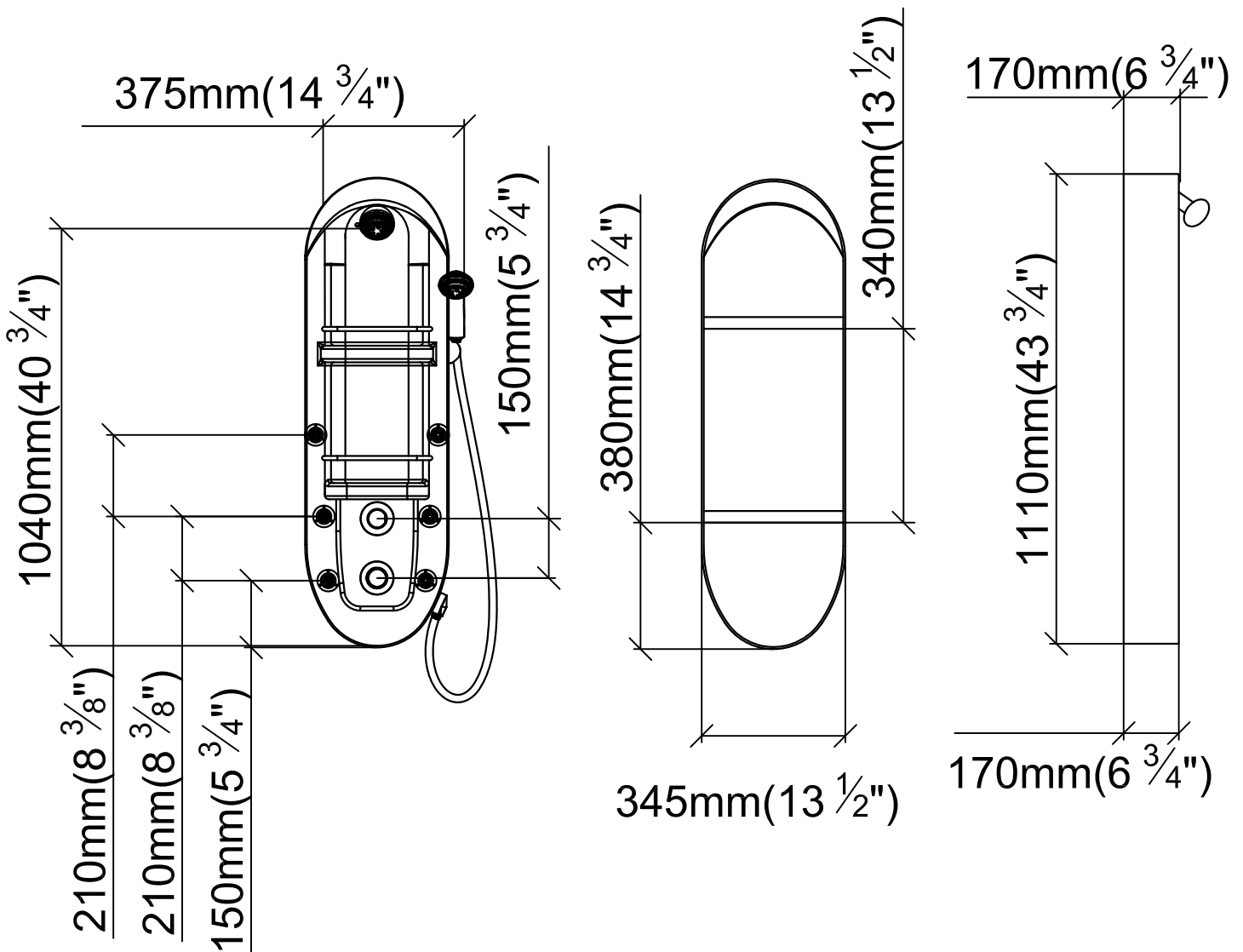


# Installation Instructions

Part #	Description	Quantity
1	Handheld shower & 1 flex. hose with 2 rubber gaskets	1
2	Showerhead	1
3	Water supply flex. hose (F1/2"X3/8" comp.)	2
4	Brackets	4
5	Screw (M5x30mm)	8
6	Anchors (8 mm)	8



## Installation Instructions



### Plumbing requirements:

- Water Pressure: 40-60 psi for both hot and cold supply the higher is better with a max pressure of 80 psi
- Flow rate: 2.5 gpm (gallons/minute) max flow rate per ASME A112.18.1

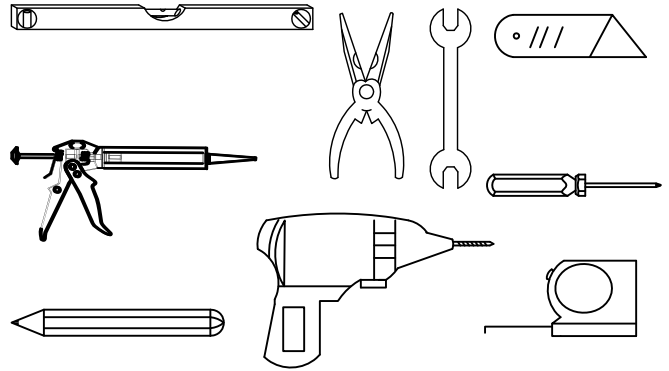
If your water supply is not capable of supplying these minimum requirements please consult a plumber to investigate the addition of a booster pump or enlarging the supply lines.

## Installation Instructions

---

The following basic tools are required for installation:

- Drill with screwdriver attachments
- Masonry or tile drill bits
- Caulk gun
- 3 foot level
- Tape measure
- Phillips head screw driver
- Bathroom rated silicone sealant
- Adjustable wrench
- Pipe cutter
- Teflon Tape



### Items required but not supplied

- Supply line connection fittings standard male 3/8" compression threads
- Optional supply line cut off valves with standard male 3/8" compression threads
- 5/16" diameter drill bit appropriate for your wall surface
- 1/4" diameter drill bit appropriate for your wall surface

**IMPORTANT:** The approach to this installation assumes that you are remodeling your bathroom. The Aston shower panel will replace any existing mixing valve setup. The only items needed for operations are separate hot and cold water supply lines.

If you are considering using your existing mixing valve setup, you need to consider using one of Aston's retrofit units designed for this purpose.

### Rough Plumbing

The location for the rough plumbing is based on the height you want the shower panel installed and the model to be installed.

The location needs to be within the panel and not wider spacing than the width of the panel.

Based on the location of the shower panel you may want to consider adding blocking or sister studs to provide a place to anchor the mounting brackets.

### Supply Line Connections

**WARNING:** Turn off the hot and cold water supply to the shower or bathroom where the installation of the shower panel is to take place



## Installation Instructions

---

The connection between the shower panel and the supply lines is made with the use of two flexible hoses supplied with the unit. The connection to the hot and cold supply lines is not supplied.

The connection between the shower panel and the supply lines is made with the use of two flexible hoses supplied with the unit. The connection to the hot and cold supply lines is not supplied.

The hoses use standard 3/8" female compression threads with appropriate washers for connections.

Based on your installation, purchase the appropriate fitting and valves that will provide 3/8" male compression threads to attach to the flexible hoses.

You must complete the supply connections before continuing installation of the shower panel.

### Mounting the shower panel brackets

When placing the shower panel onto the wall, consider the following:

Consider the relationship of the height of the overhead rain shower to body jets for all persons using the shower.

We recommended that you set the shower panel at a height that will allow persons of various heights to enjoy both the overhead shower and the body jets.

Remember you will also need to consider covering up the connection points for the hot and cold water supplies with the shower panel.

**IMPORTANT: If you are installing a premade Acrylic/ABS shower stall with walls you MUST add extra support to the locations where the shower panel wall brackets will be mounted**

To locate the shower panel use the following steps:

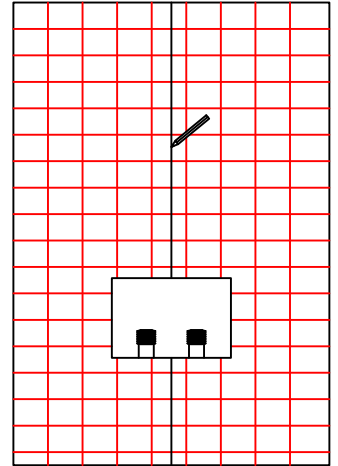
You will need a tape measure and pencil or other marking device.

**NOTE: You may need a second person to help you up hold the unit while you make the measurements used for installation.**

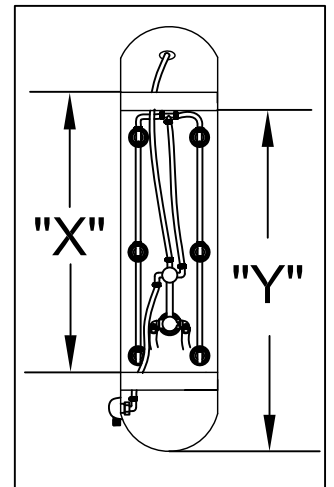
1. Locate the hardware package containing the mounting brackets, wall anchors, and screws, as you will need these items for the next steps.

## Installation Instructions

2. Draw a center line on the wall indicating where the center of the shower panel will be placed. Typically, this will be at the center of the plumbing supply lines.
3. While holding the shower panel at your desired height and location on the center line, make a small mark on the wall at the bottom and center of the shower panel. This will give you the bottom of the shower panel and is the reference point for making all other measurements for locating the mounting brackets.
4. Lay the unit on the ground with the back of the unit facing up and locate the two hanging straps built into the unit.



5. Use the following instructions to locate the mounting brackets:
  - a. Units with two single bar straps will use four mounting brackets - two on the top strap and two on the bottom strap.
  - b. Measure the distance between the top and bottom strap and note this measurement as measurement (X). Measure from top to top or bottom to bottom of the straps.
  - c. Measure the most outside measurement from the bottom of the top strap to the bottom of the shower panel and note this reading as measurement (Y).
  - d. Measuring up from the reference mark made earlier when the shower panel was on the wall, measure up the distance (Y) which was the distance from the bottom of the top strap to the bottom outside of the shower panel, and make a mark at this location.
  - e. Make a second mark at the same height you just measured a few inches to one side of the first mark. Using a level, make a horizontal line through the two marks.
  - f. Because this unit requires two mounting brackets on each strap determine a distance about the centerline to install the two mounting brackets so that each bracket is equally spaced about the centerline. A good rule of thumb is to take the width of the shower panel and divide by two then use this number as the distance between the two brackets. For example, say the width of the shower panel is 12 inches divided by 2 equals 6 inches, which is the width between centers of the brackets. Then divide the center of the two brackets by 2 to get the distance from the center line on the wall for locating each bracket. In this example, divide 6 inches the center distance between the two brackets by two, which equals 3 inches therefore measure 3 inches from either side of the center line to locate the brackets.



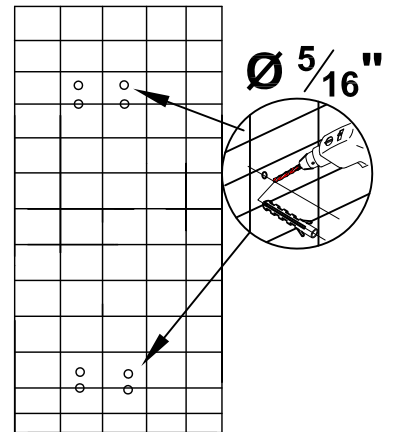
$$\frac{\text{Width of Shower Panel}}{2} = \text{Center between the Mounting Brackets}$$

Measure and mark the distance about the center line for the two mounting brackets.

- g. Take one of the mounting brackets and center the mounting holes over one of the lines indicating the bracket's location. The bracket must be flat against the wall with the mounting holes pointing toward the bottom of the shower.

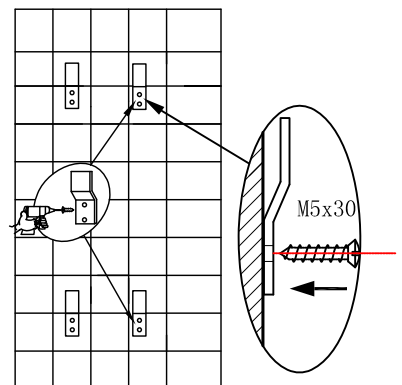
## Installation Instructions

- h. Next line up the same mounting bracket so that the bend in the bracket is on the horizontal line drawn earlier while ensuring that the mounting holes are still centered about the bracket's locating line.
- i. Mark both holes in the mounting bracket.
- j. Repeat locating and marking for the other bracket.  
You now should have the mounting locations for the two top brackets.
- k. Choose one of the top mounting locations as reference for the next step. Measure from the top mounting hole straight down the distance (X) you measured earlier which is the measurement between the two mounting straps. Mark this location.
- l. Repeat the same measurement for the other mounting bracket.
- m. Take one of the remaining brackets and center the top mounting hole within one of the marks you just made, ensuring that it is vertical then mark both holes.
- n. Repeat this process with the last bracket.  
You now have all four mounting location marked.
- o. Using the appropriate drill bit for your wall surface drill each hole location with a 5/16" diameter drill bit.



**NOTE: If your surface is prone to cracking or chipping then it is recommended that you pilot drill first using a smaller drill bit, and then step up to the final size.**

- p. Install the plastic wall anchors provided into the drilled holes.
- q. Attach the mounting brackets to the wall using the screws provided with either a Phillips screwdriver or a drill with a Phillips bit.



## Mounting the showerhead

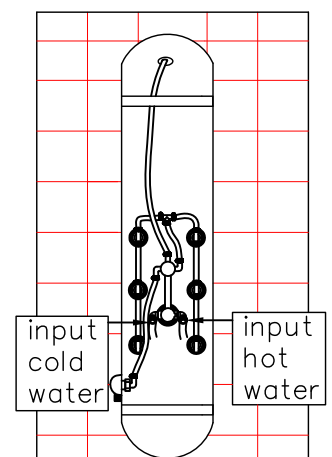
Install the rubber washer onto the showerhead and install onto the shower arm.



## Connecting the water supply to the shower panel

Now that you have all of the mounting brackets installed, you can make the final water connections to the shower panel.

1. Located on the back of the thermostatic valve on the shower panel are the input hot and cold water connections. The connections are marked with colored dots blue indicating cold and red indicating hot.



## Installation Instructions

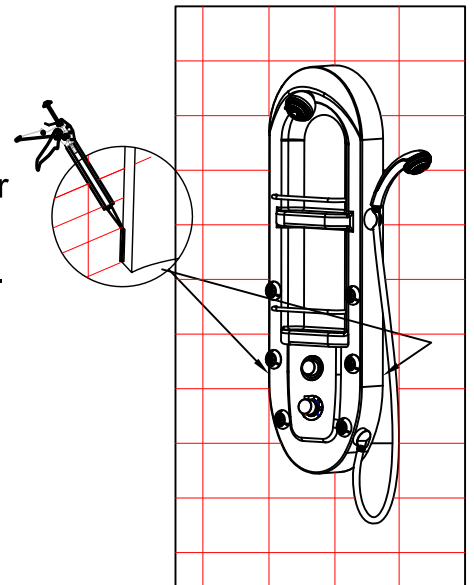
2. Using the flexible hoses provided, connect each hose to the thermostatic valve and then to the corresponding hot and cold water supplies and secure.
3. If no leaks are present, move on to next step.

### Hanging the shower panel

After you have completed your leak check, hang your shower panel on the mounting brackets.

Use the following steps to hang the shower panel:

1. Place the shower panel on the wall so that the mounting straps are above the corresponding mounting brackets. Ensure that the flexible supply lines are within the shower panel enclosure.
2. Slide the unit down until it rests on the mounting brackets.
3. Next seat the shower panel onto the mounting brackets by pulling down on the shower panel until it is seated on the brackets. You will feel a slight movement downward, and then the unit stops moving, you will have properly seated the unit on the mounting brackets.
4. Using bathroom rated caulk or sealant and a caulk gun, run a bead of sealant all the around the unit where it is in contact with the shower wall.
5. Wipe away any excess, using the excess to fill any cracks or voids in the joint.



### Installing the shower wand and hose

**IMPORTANT: The shower wand hose has a one way check valve installed to prevent backflow if water is not flowing from the shower wand reverse the connections**

1. The shower wand hose has two tapered ends. One end has an O-ring around the outside. Install this end onto the shower wand. Install the rubber gasket provided before screwing the wand and the hose together.
2. The remaining hose end goes onto the outlet spout for the shower wand. Install the rubber gasket provided between the hose the outlet spout.
3. Place the shower wand into the wand holder.

## Operation

---

Before operating this unit ensure you have read and understand all of the warnings and safety statements in this manual.. If you do not understand any of these warnings or statements, please contact your dealer or the manufacturer for an explanation.

**IMPORTANT:** Based on typical residential water pressure and flow rates all components within the shower will not work at the same time, e.g., overhead shower and body jets together; therefore, the diverter will only operate one device at a time.

### Diverter valve

The diverter valve is used to control the flow of water to the following devices:

- The overhead shower
- The body jets
- The shower wand
- ON/OFF position

To operate the diverter valve rotate to the device you wish to use you will feel a click for each location.

**IMPORTANT:** Based on typical residential water pressure and flow rates and current water conservation requirements all components within the shower panel will not work at the same time, e.g., overhead shower and body jets together; therefore, the diverter will only operate one device at a time.

### Thermostatic faucet

The unit is equipped with a thermostatic faucet for setting the mix between hot and cold water. The temperature markings are for reference only as the unit does not elevate the water temperature beyond the temperature of your hot water heater.

Set the thermostatic faucet to your preferred temperature and your unit will operate at this same temperature with each use unless you change the setting.

To operate the faucet, press the “release” button and turn it in the direction of your desired temperature.

### Showerhead

1. Rotate the diverter valve to the showerhead position. Water will begin to flow.
2. Set the thermostatic valve.
3. When finished, rotate the diverter valve back to the “off” position.

## Operation

---

### Body jets

1. Rotate the diverter valve to the body spray jet position. Water will begin to flow.
2. Set the thermostatic valve.
3. When finished, rotate the diverter valve back to the “off” position.

### Shower wand

1. Rotate the diverter valve to the shower wand position. Water will begin to flow.
2. Set the thermostatic valve.
3. When finished, rotate the diverter valve back to the “off” position.

## Troubleshooting

Symptoms	Cause	Solution
No warm water or either hot or cold water only	<ul style="list-style-type: none"> <li>A. Verify that you have connected the hot and cold supply to the correct location on the Thermostatic valve. A colored dot on the valve indicates the hot and cold connection, red hot, blue cold.</li> <li>B. Disconnect the supply lines from the Thermostatic valve and look at the check valves to see for any obstruction or stuck valve.</li> <li>C. If you are using shut off valves for the supply lines verify they are fully open.</li> </ul>	<ul style="list-style-type: none"> <li>A. Connect the hot and cold supply lines to the correct location on the Thermostatic valve.</li> <li>B. If the check valves are sticking or stuck attempt to free up if not possible contact mfg.</li> <li>C. Open fully all shut off valves. Possible issue with the thermostatic valve contact the mfg.</li> </ul>
Not enough pressure for body jets, showerhead or shower wand	<ul style="list-style-type: none"> <li>A. Verify your line pressure is 60-80 psi if not consult a plumber about the possible addition of a booster pump.</li> <li>B. Verify the diverter is in the proper position not half way in between 2 locations</li> <li>C. Clogged or dirty flow restrictor</li> <li>D. Clogged or dirty jets, showerhead or shower wand</li> </ul>	<ul style="list-style-type: none"> <li>A. Low water pressure consult a plumber about the possible use of a booster pump.</li> <li>B. Turn the diverter valve to the correct location you will feel a click for each location.</li> <li>C. Remove and clean the flow restrictor and replace.</li> <li>D. Clean dirty body jets, showerhead or shower wand with mild vinegar and water solution.</li> </ul>
Leaks	<ul style="list-style-type: none"> <li>A. Loose jet faces</li> <li>B. Loose hose clamps</li> <li>C. Loose supply connection</li> </ul>	<ul style="list-style-type: none"> <li>A. Remove and reinstall jet face</li> <li>B. Tighten loose hose clamps</li> <li>C. Tighten loose connection fittings.</li> <li>D. If leaks persist contact mfg.</li> </ul>
Shower wand leaking from hose	<ul style="list-style-type: none"> <li>A. Hose installed wrong</li> </ul>	<ul style="list-style-type: none"> <li>A. Reverse shower wand hose connections, switch</li> </ul>

## Care and Maintenance

---

As with any other luxury item, maintenance and care are critical to the long lasting quality and enjoyment of your shower panel. The proper care and maintenance outlined in this section are necessary to ensure the longevity of the unit. Damage caused by not following the care and maintenance guidelines in this section is not covered under the manufacturer's warranty.

The unit is constructed from high quality acrylic and with proper care, the unit will maintain its nice look and finish.

**IMPORTANT:** Never use an abrasive cleaner such as Comet or Ajax to clean the acrylic surface. These cleaners will scratch the surface and dull the finish. In addition, do not use any of the following products to clean the acrylic surface:

- Acetone
- MEK
- Mineral spirits
- any other solvent based cleaner

You can clean the acrylic surface with a mild non-abrasive cleaner such as Soft Scrub or other cleaning products formulated for acrylic surfaces.

You can buff and polish the acrylic surface using any good polishing compound such as Maguire's #10 Mirror glaze, toothpaste, or automotive polishing paste. Using these types of products will help maintain the shine and luster of the acrylic surface.

If you happen to discover any small minor surface scratches in the acrylic, you can use 600# grit wet sand paper to lightly buff out any scratches, and then use a surface polish to restore the shine and luster.

For deep scratches or chips where material has been removed, purchase an acrylic repair kit, which is available through hardware stores and home centers. Read and follow all of the instruction contained in the kit.

### **Showerhead and body jets**

Based on your water chemistry it may become necessary to clean the showerhead or body jets due to hard water buildup of calcium, lime, or rust.

To clean showerhead or body jets:

Unscrew the affected jet or showerhead and clean or soak it with a mild solution of vinegar and water (50/50) or commercially available hard water cleaner such as CLR



## Warranty

---

**PLEASE READ THESE WARRANTY TERMS AND CONDITIONS CAREFULLY BEFORE USING YOUR ASTON GLOBAL BATHROOM PRODUCT. BY USING THE PRODUCT, YOU ARE CONSENTING TO BE BOUND BY THE FOLLOWING WARRANTY TERMS AND CONDITIONS.**

### **Aston Global Inc. Limited Lifetime Warranty Shower Panels**

Aston Global Inc. (“Aston Global”) extends the following non-transferable limited warranty (the “Warranty”) for its bathroom products (“Product” or “Products”) solely to the original purchaser (the “Owner” or “Customer”) of the Product from Aston Global or an authorized reseller. Proof of purchase is required to exercise this Warranty. The Warranty begins on the date of purchase either from the Aston Global warehouse location or an authorized reseller's location.

Limited lifetime warranty for shower panel structure and base only. This limited lifetime warranty only applies to the structural support and surfaces of the shower panel against failure due to materials or workmanship for the life of the product. The Limited lifetime warranty does not apply to jets, fittings, tubing, clamps, thermostatic valve, diverter valve, shower wand, showerhead, shower wand hose, typical wear items due to daily use such as o-rings, washers and gaskets.

2 year limited parts-only warranty. This warranty applies to all plumbing components, including jets, tubing, fittings, shower head, shower wand, shower wand hose and supplied connection hoses. Only the plumbing fixture components such as faucets, diverter valves and Thermostatic valves will be replaced, not the entire fixture items. Included are valve cartridge, check valves and knobs. Aston Global warrants the listed items to be free from manufacturing and material defects for the period of the warranty stated. Typical wear items due to daily use such as o-rings, washers and gaskets are not covered by this 2 year limited parts warranty.

If a part is determined to be covered by the above Warranty, Aston Global will ship the replacement part to Customer by either ground shipping or US postal service. Increased costs for expedited delivery, if requested by Customer, are the responsibility of Customer.

Parts not currently in stock may require up to a 6 week delivery time after placement of order.

### **Limitations, Exceptions and Disclaimers**

All Products are for indoor use only; installation outdoors or any other non-standard bathroom location will void the Warranty.

## Warranty

---

All Products are intended for single-family residential use only. Use of a Product or Products in any non-residential, non single-family setting, including but not limited to Rental, Commercial or Institutional Properties (as defined below) will void the Warranty:

- Rental Property: any property rented for profit.
- Commercial Property: hotel/motel units, apartment buildings, multi-family dwellings, health clubs/fitness centers, nail salons, beauty/spa centers, time shares, bed and breakfast inns, private clubs or lodges, and the like.
- Institutional Properties: hospitals, nursing homes, assisted living centers or communities, and the like.

The Warranty does not cover neglect, misuse or abuse, non-authorized modification, poor installation, accidents, normal wear and tear, Acts of God, excessive heat or other causes beyond the control of Aston Global.

The Warranty does not cover reimbursement of any labor costs incurred in the removal, disassembly, reassembly, or installation of the Product(s), including replacement Products issued under the Warranty.

Aston Global will not be liable for any injuries to any person sustained during the delivery, installation or repair of its Products.

Aston Global will not be liable for and will not reimburse any damages to property resulting from improper installation or use of the Products, including but not limited to flooring, subfloor, tile, walls, sheet rock, concrete board, paint, plumbing fixtures and ceilings.

The Customer accepts any and all responsibility for repair or replacement of any component on the Product.

### **Limitations**

**THIS LIMITED WARRANTY TAKES THE PLACE OF ALL OTHER WARRANTIES, EXPRESS OR IMPLIED, IN FACT OR AT LAW, INCLUDING BUT NOT LIMITED TO IMPLIED WARRANTIES OF MERCHANTABILITY AND FITNESS FOR A PARTICULAR PURPOSE. NO DEALER, DISTRIBUTOR, SERVICE COMPANY OR OTHER PARTY IS AUTHORIZED TO CHANGE, MODIFY OR EXTEND THE TERMS OF THIS WARRANTY IN ANY MANNER WHATSOEVER.**

### **Disclaimers**

Aston Global and its representatives shall not be liable for any injury, loss, cost or other

## Warranty

---

damages, whether incidental or consequential, arising out of any defect covered by this Limited Warranty including and without limitation, loss of use of the Product and cost for removal of defective Product, even if Aston Global has been advised of the possibility of such damage. The liability of Aston Global under this Warranty, if any, shall not exceed the original amount paid for the Product covered by the Warranty. Coverage under this Warranty shall commence as of the original date of purchase and the duration of such coverage shall not extend for any reason whatsoever beyond the stated time period. The Customer is required to provide adequate access the Product for any repair or inspection. Aston Global shall not be liable for expenses or damage which may include but are limited to water damage, removal of any and all common building product such as tile, flooring, wood, sheet rock, plumbing fixtures, concrete board, vanities, bathtubs and toilets or any other custom items.

### Legal

This Warranty gives you specific legal rights. You may also have other rights which vary from state to state. Some states do not allow limitations of implied warranties, so some limitations may not apply to you.

**Aston Global offers free phone support for the life of the Product to the original Owner.**

**The Warranty applies only to Products manufactured on or after January 1, 2012.**

**This Warranty may not be combined with any other warranty offered by Aston Global.**



**Customer Service  
877-424-9699**

**Aston Global Inc  
1501 10th St Suite 150  
PLANO, TX 75074**

If further assistance is needed, or you have a question, please visit our web site at:

**[www.astonglobalinc.com](http://www.astonglobalinc.com)**