

# D5654XXLHS/TH Tubular handle

Product: Dishwasher  
Size: XXL  
Mode of installation: Built-in

## Programs

Heavy wash  
Mixed  
Time  
Delicate wash  
Quick wash  
Super quick  
Eco wash  
Rinse & Dry  
Rinse and hold

## Options

Delayed start: 24 h  
High temperature  
Long dry

## Cleaning systems

Self cleaning filters  
AquaLevel™ Sensor

## Drying system

Turbo Drying™

## Comfort/Easy of use

Fault indication  
Interior light  
Rinse-aid indication  
Time remaining indicator

## Safety

AquaSafe™  
SteamSafe™  
KidLock™ - lock the door

## Baskets

Upper: Exclusive height adjustable  
Lower: Exclusive

## General

Display type: LED display  
Number of programs: 13  
Noise level: 46 dB(A)  
Number of baskets: 3  
Max loading height upper basket: 9 1/16 (230 mm)  
Max loading height lower basket: 11 7/16 (290 mm)



## Dimensions and installation

Height: 34 3/8 (873 mm)  
Width: 24 (610 mm)  
Depth: 22 7/8 (581 mm)  
Length inlet hose: 66 1/8 (1680 mm)  
Length outlet hose: 41 3/4 (1060 mm)  
Cord length: 46 7/16 (1180 mm)  
Adjustable front legs: Adjustable front legs  
Weight net: 110 lbs  
Weight gross: 115 lbs

## Technical information

Connection rating: 1300 W  
Current: 15 A  
Voltage: 120 V

## Consumption

Wash performance: A  
Estimated yearly energy consumption: 218 kWh  
Energy consumption/cycle: 1,01 kWh

# D5654XXLHS/TH Tubular handle

## XXL DISHWASHERS

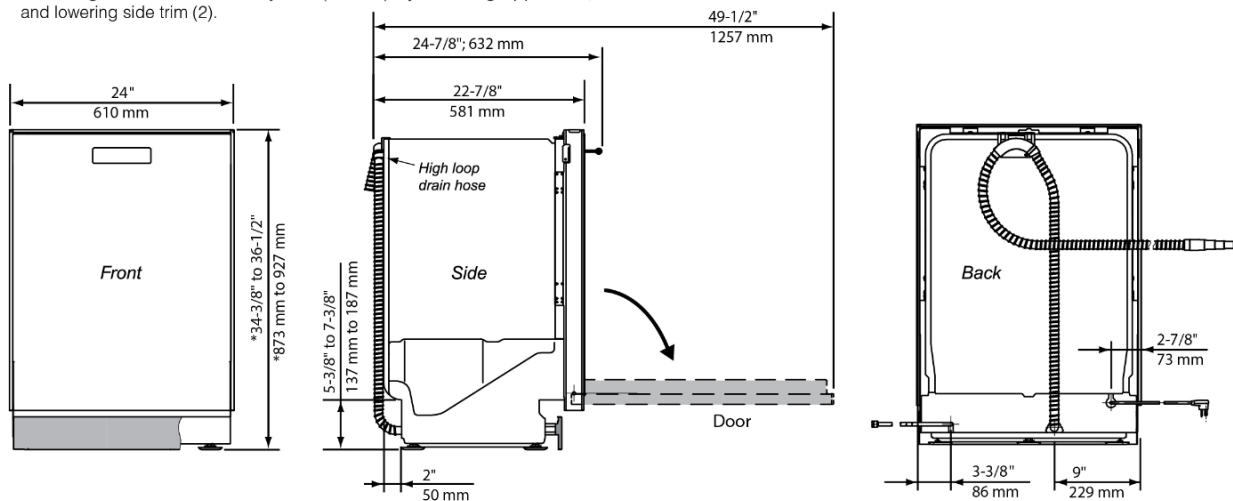
### UNIT DIMENSIONS

	U.S.	Metric
Height (Adjustable)*	34-3/8" to 36-1/2"	873 mm to 927 mm
Width	24"	610 mm
Depth (Includes high loop)	22-7/8"	581 mm
Depth w/Handle	24-7/8"	632 mm
Depth w/Door Open	49-1/2"	1257 mm
Weight	110 lb	50 kg

\* Total height can be reduced by 1/2" (13 mm) by removing upper trim, and lowering side trim (2).

### TECHNICAL DATA

Electricity	120V, 60Hz, 15 amp
Water pressure	4.2 - 140 psi, 0.03-1.0 MPa, 0.3-10 Bar
Heating element	1200 watt
Max loading	1300 watt



## PREPARING THE LOCATION

### PREPARING THE LOCATION

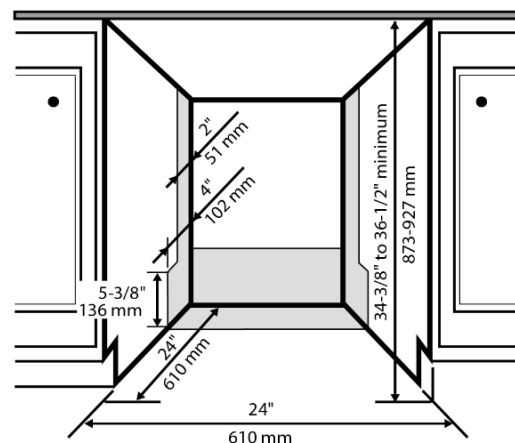
	U.S.	Metric
Height*	34-3/8" to 36-1/2"	873 to 927 mm
Width	24"	610 mm
Depth	24"	610 mm

The best place for your dishwasher is in the kitchen near the sink. This makes it easier to connect the water and drain supply lines.

A built-in dishwasher must be enclosed on the top, both sides and the back.

The power-supply receptacle for the appliance shall be installed in a cabinet or on a wall adjacent to the undercounter space in which the appliance is to be installed.

The electrical and water supplies should enter through the area indicated by the shading on the illustration at right. Preferably, they should come through the right side of the machine. The access hole must be round and smooth and no bigger than 1-1/2" (38 mm) in diameter. If the partition is metal, it needs to be covered with an edge protector. Use caution when the appliance is installed or removed, to reduce the likelihood of damage to the power-supply cord.



\* Total height can be reduced by 1/2" (13 mm) by removing upper trim, and lowering side trim (2).