

INSTALLATION AND CONNECTION

DRYER PLACEMENT

The dryer can be either freestanding or installed on top of a washing machine.

The dryer emits heat. Therefore, do not place it in a very small room, as the drying process may be longer due to limited amount of ambient air.

💡 Do not place the dryer in a room where temperature can drop below 0 °C, as the machine may not operate correctly at such low temperatures or may freeze, which can result in damage to the machine.

For optimum dryer operation, install it in a room with adequate ventilation and a temperature between 10 °C and 25 °C.

⚠ Do not place the dryer behind lockable or sliding doors, or doors with a hinge on the opposite side of the dryer door hinge. Install the dryer in such way that the door can always be freely opened.

💡 Never block the air vents.

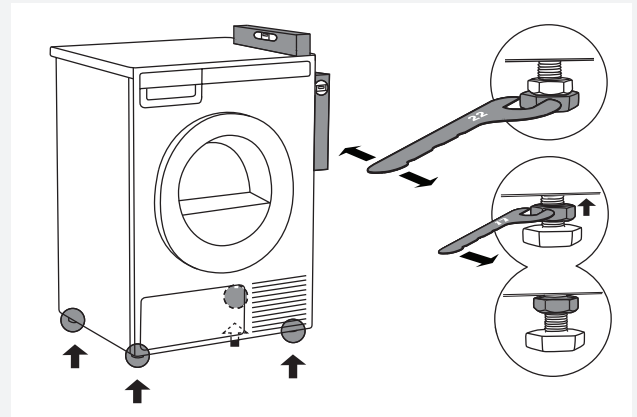
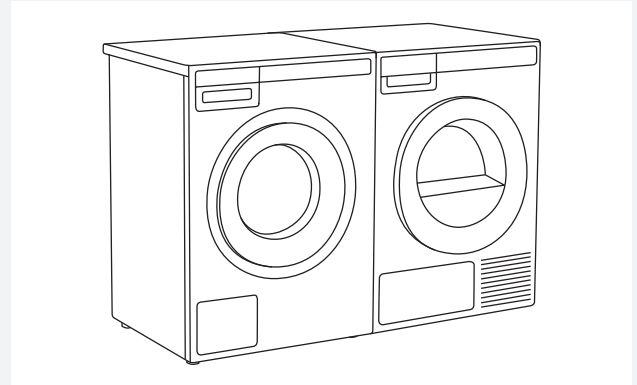
💡 At least two persons are required to install the tumble dryer on top of a washing machine.

⚠ Do not place the dryer on a carpet with long fibres as this may impede air circulation.

Freestanding appliance

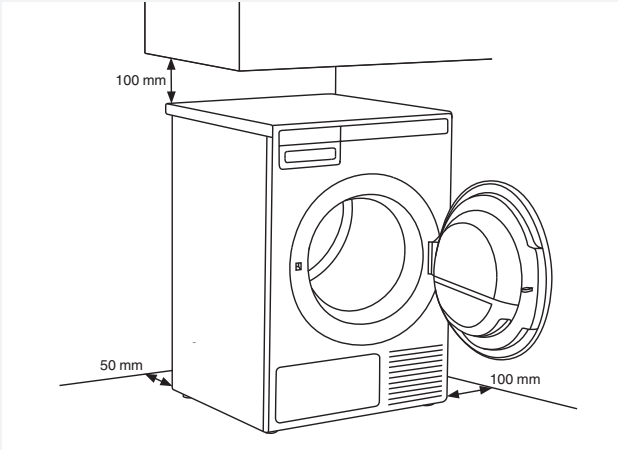
The dryer may be placed adjacent to a washing machine.

If the friction between the dryer feet and the floor is not sufficient, the dryer may move during operation. To prevent sliding, use a non-slide mat or install the supplied vacuum feet onto both front feet.



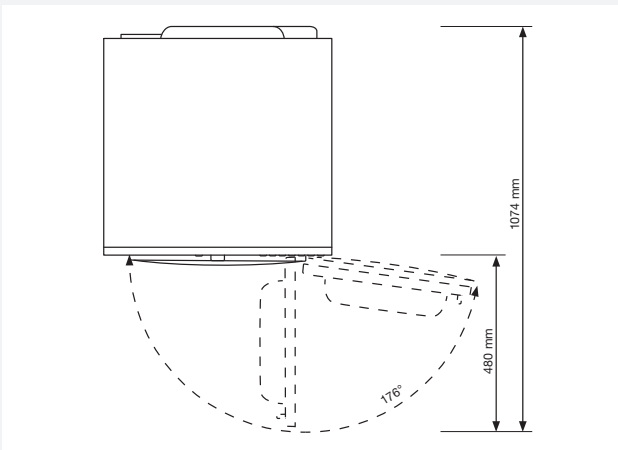
Place the dryer so that it is stable. Use a spirit level to level the dryer horizontally and vertically by rotating the adjustable feet using a No. 22 spanner (max. 15 mm). Then, firmly tighten the jam nuts (counter nuts) by rotating them towards the appliance bottom using a No. 17 spanner ↑.

Clearance around the dryer for optimum operation



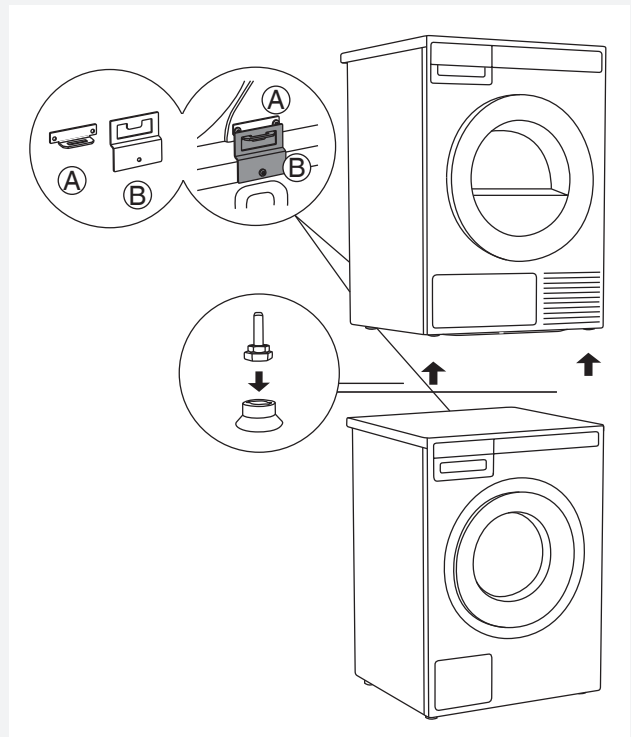
💡 The appliance may not be in contact with a wall or adjacent furniture. For optimum dryer operation, observe the clearance from the wall as shown in the figure.

Opening the dryer door (top view)



Stacking on top of a washing machine

To stack the dryer on top of a washing machine, use the extra vacuum feet and the tipping guard (A+B), supplied in the cardboard box in the dryer drum. Tipping guard part B is designed to fit on ASKO washing machines and it may be hard or impossible to mount on appliances of other brands. If the washing machine and dryer are not of matching dimensions or if you have installed a hidden helper between the two appliances, then binding plates are available as optional accessories at the service unit (available only for HH (accessory Hidden Helpers) and TD75 stacked on top of WM80 or WM85; not intended for any other combinations).

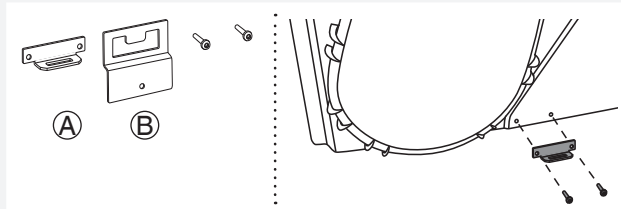


All ASKO washing machines can bear the weight of the dryer.

💡 Washing machine on which you wish to install the dryer must be able to bear the weight of the dryer (see washing machine's rating plate or technical information).

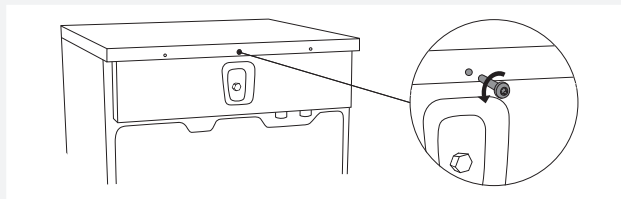
How to stack a dryer onto the washing machine (ASKO):

There is a cardboard box in the dryer drum, containing the vacuum feet and the tipping guard.

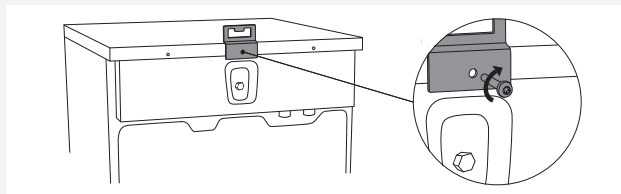


1 The tipping guard consists of two metal parts (A + B).

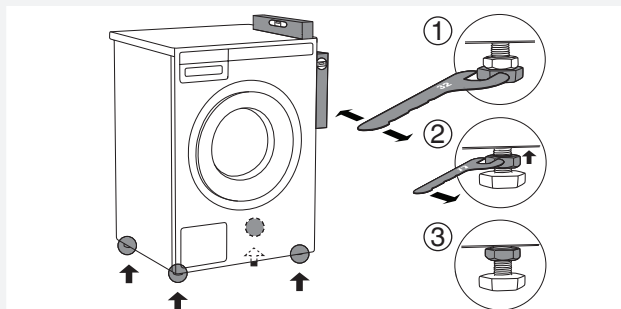
Use two screws to attach the A part to the back of the dryer.



2 Undo the screw on the back side of the washing machine.

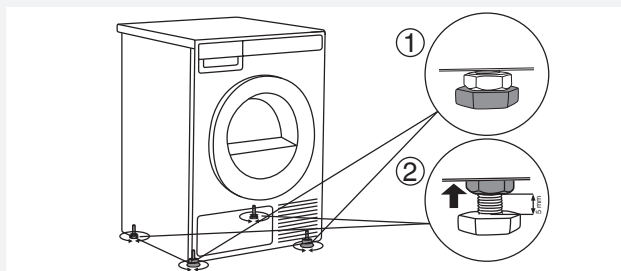


3 Use the screw to attach the tipping guard (B part) to the back of the washing machine.



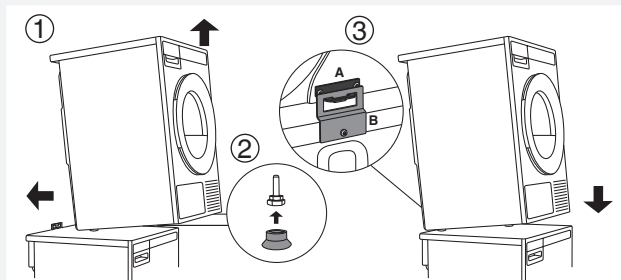
4 Level the washing machine so that it is stable.

1. Level the washing machine by rotating the adjustable feet using a No. 32 spanner. The feet allow levelling by +/- 1 cm.
2. After adjusting the height of the feet, firmly tighten the jam nuts using a spanner No 17, by turning them towards the bottom of the washing machine ↑.
3. Tighten the jam nuts.



5 Set the dryer feet:

1. Tighten the front two feet all the way in.
2. Undo the back feet by 3.5 turns or 5 mm; then, fasten the jam nuts towards the bottom of the appliance ↑.



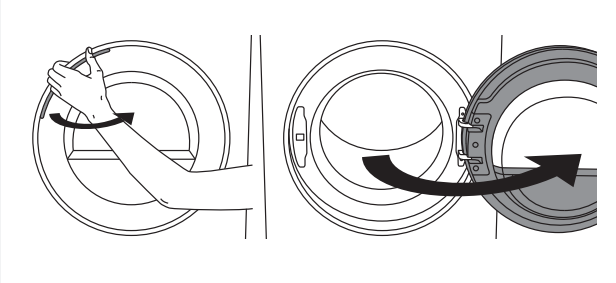
6 Place the dryer onto the washing machine:

1. Lift the front part of the dryer by 5 to 10 cm.
2. Attach the vacuum feet onto the front feet of the dryer.
3. Push the dryer into the tipping guard (so that the B part is inserted into the A part) and release it (See figure on previous page).

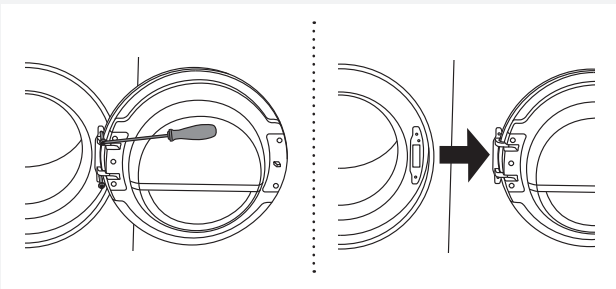
💡 Make sure the tipping guard is "locked"!

CHANGING THE DOOR OPENING DIRECTION

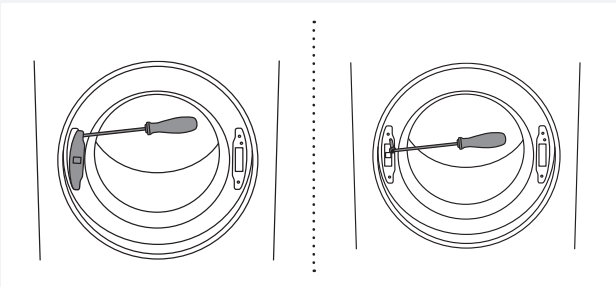
To change the direction of door opening, proceed as follows.



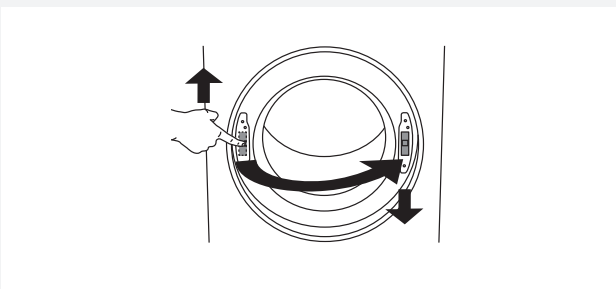
1 Open the door fully.



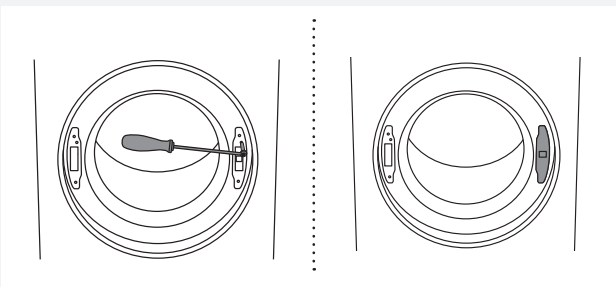
2 Undo the screws and remove the door.



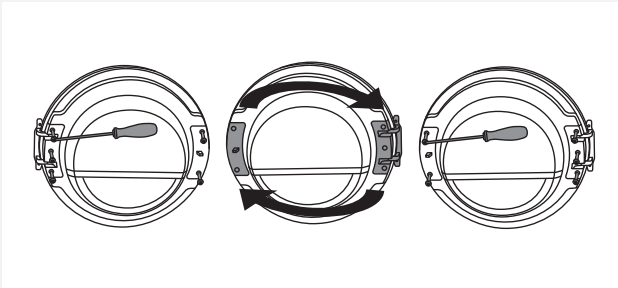
3 Use the screwdriver to remove the door lock cover and undo the screw on the door lock.




4 Push the door lock upwards and remove it. Move it to the other side and push it downwards.

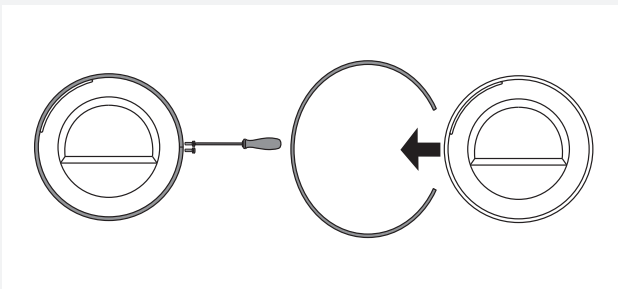


5 Fasten the screw on the door lock. Replace the door lock cover.

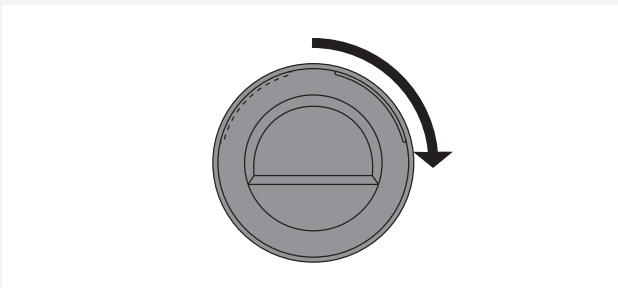


6 Undo the door hinge assembly (left) and the door latch assembly (right), switch their positions, and replace the screws (door hinge assembly to the right-hand side, door latch assembly to the left-hand side).

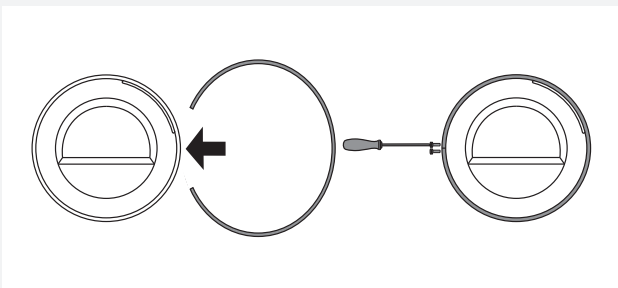
 Use the screwdriver to remove the plastic part more easily.



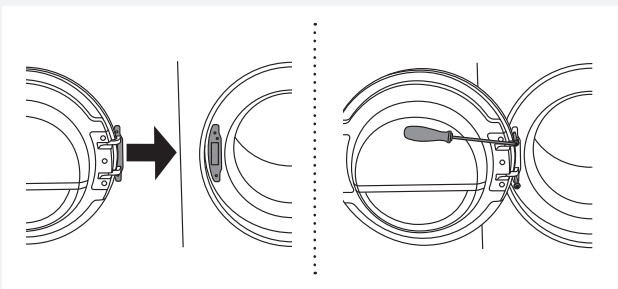
7 Undo the door ring and remove it temporarily.



8 Rotate the door glass cover by 90° so that the sign indicating the opening of the door is on the other side.



9 Rotate the door ring by 180°, install it onto the door, and fasten it with screws.

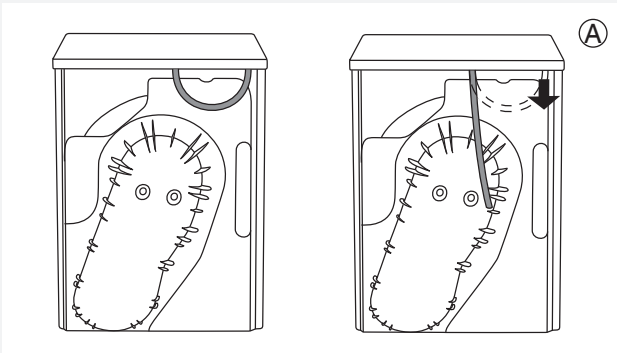


10 Replace the door on the door hinge and fasten the screws.

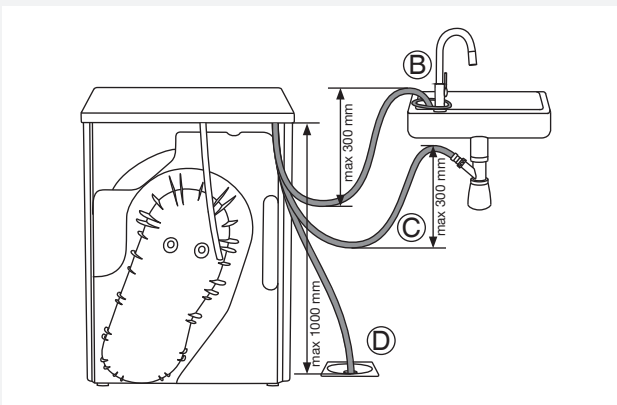
DRAINING THE CONDENSATE

The moisture from the laundry is extracted in the condenser unit and accumulated in the condensate tank. Condensate tank has to be emptied regularly (see chapter "CLEANING AND MAINTENANCE").

Interruption of the drying cycle due to full condensate tank can be avoided by running the condensate discharge hose found at the back of the appliance directly into a drain (see chapter "SYSTEM SETTINGS/ Condensed water").





- 1** Remove the small short hose from the attachment (A).





- 2** Connect the supplied drain hose to the same attachment (A).


Run the condensate drain hose into a drain. Tie the hose onto a tap (B) so that it cannot slip during use. The drain hose can also be fed into the washbasin siphon (C) or directly into the floor drain (D). Then, the water is pumped directly into a washbasin, a siphon, or a floor drain.

 Do not pull the drain hose, and make sure it is not under tension, clamped, or bent.


 If you decide to run the condensate drain hose into a drain, siphon, or washbasin, make sure the hose is securely fastened. This will prevent any water spillage that could result in unexpected damage.

 Always use hoses that are supplied with the appliance.


 If the dryer is connected to an air exhaust system already used for another appliance, a non-return valve must be installed. Return flow into the dryer could damage the appliance and the non-return valve prevents such flow.


 See the separate installation instructions included in the set of documents.

CONNECTING TO THE POWER MAINS



 After installation, the dryer should stand still for two hours before it is connected to the power mains.

Connect the appliance to a grounded power outlet. After installation, the wall outlet should be freely accessible. The outlet should be fitted with a ground contact (in compliance with the relevant regulations).

 The receptacle on the rear of the machine is designed to accommodate ASKO washers ONLY (rated 208–240 V.) To use this receptacle, you must use the ready-fitted plug supplied with the washing machine or an equivalent. ASKO washers rated 208–240 V have two internal fuses of 15 A each. The machine should only be connected to a grounded wall socket.


 This appliance must be properly grounded. Refer to the “Important Safety Instructions” for grounding instructions. The power supply cord must be grounded. If the machine is to be used in a wet area, the supply must be protected by a residual current device. Connection to a permanently wired supply point must be made only by a qualified electrician.


Connection upon delivery


	TYPE: TDXX.XXXXXX	MODEL: XXXXXX.X
	Art.No.: XXXXXX/XX	Ser.No.: XXXXXXXX
XXX V ~ XXXX W \Rightarrow XXA ^{X kg}		
IPX4 XX Hz		

Information about your dryer is indicated on the rating (type) plate.

Use the type A differential current protection switch.

 The dryer may not be connected to the power mains using an extension cord.

 Do not connect the tumble dryer to an electrical outlet intended for an electric shaver or hair dryer.

 Any repair and maintenance pertaining to safety or performance should be done by trained experts.