



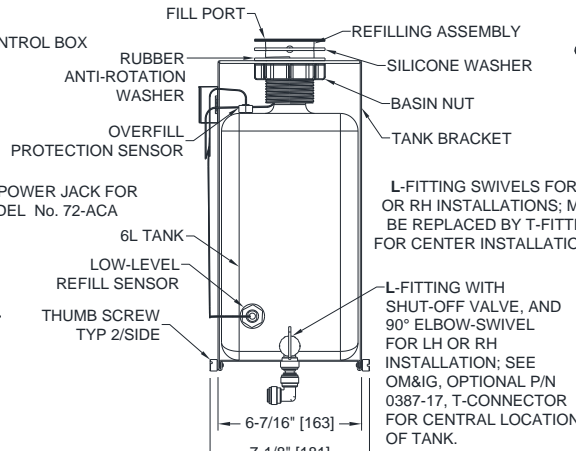
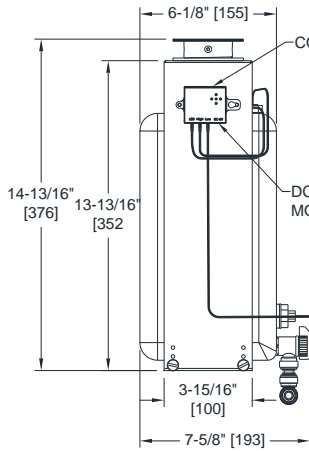
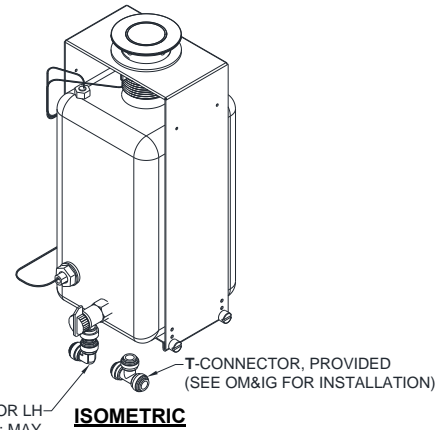
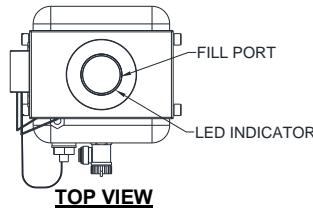
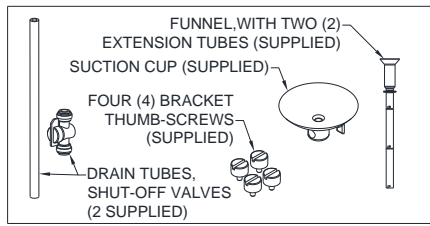
AMERICAN SPECIALTIES, INC.
 441 Saw Mill River Road, Yonkers, NY 10701
 (914) 476.9000 • (914) 476.0688
 www.americanspecialties.com

MODEL №: 0387

ISSUED: 9 SEP 2020

REVISED: 15 DEC 2021

VANITY MOUNTED TOP-FILL PORT WITH TANK FOR VANITY MOUNTED AUTOMATIC SOAP DISPENSING SYSTEM



ISOMETRIC

NOTE

ALL DIM'S INCH [MM]

ILLUSTRATION FOR REF ONLY AND NTS

SIDE VIEW

FRONT VIEW

SPECIFICATION

Vanity Mounted Top-Fill Port with Tank for Vanity Mounted Automatic Soap Dispensing System shall hold 1.6 gal (6 L) of foam or liquid soap of correct viscosity and without abrasive or particulate content to supply individual or chain of multi-unit installation. Supply tank shall be translucent leak-proof seamless molded plastic to continuously provide soap level indication. Unit is powered by AC Adapter (Model № 72-ACA, provided) and is equipped with sensors and LED to indicate low soap level, overfill protection or battery conditions (when powered by Model № 0385-BP available separately). Top-Fill Port shall mount on vanity of max thickness 2" [51] through 2-1/4" Dia. [Ø57] hole and tank shall be held in place by mounting bracket. Tank supplies control module (order Model № 0385 or Model № 0386 separately) through supply tube (provided with control module) connected to L-Fitting (or T-Fitting, provided) swivel on tank shutoff making possible a supply chain of soap distribution when additional control modules are added (supplied separately) either in LH or RH order (or central split) to end of vanity. Optional T-Connector is provided for central location of tank. Drain tubing and shut-off valves are provided for run end(s) termination. Additional Soap Dispensers (supplied separately) are installed to draw soap from each additional control module. An Owner's Manual and Installation Guide (OM & IG) shall be provided with unit in carton.

Vanity Mounted Top-Fill Port with Tank for Vanity Mounted Automatic Soap Dispensing System shall be Model № 0387 of American Specialties, Inc., 441 Saw Mill River Road, Yonkers, NY 10701-4913

INSTALLATION

Mount Top-Fill Port to vanity with hardware (supplied) through 2-1/4" Dia. [Ø57] mounting hole in deck of max thickness 2" [51] (provided by others). Remove bottom bracket by unscrewing four (4) thumb-screws located in the bottom portion of tank bracket and retain them for re-installation, mount the top bracket and basin nut (provided) to hold the tank bracket in place. Engage the tank neck with gasket onto Top-Fill Port tailpiece and re-install the bottom bracket using four (4) previously retained thumb-screws. Connect the low level sensor, overfill protection sensor and LED wires to the control box according to the marked color codes and identification legends. Power unit by connecting the power adapter (Model № 72-ACA, provided; or optional Model № 0385-BP) to DC power jack located on control box. Connect soap supply tube from control module T-Fitting (order Model № 0385 or Model № 0386-separately) to swivel L-Fitting (or T-Connector, optionally installed) on tank shutoff valve. Install drain tube(s) to end(s) of run(s) with shut-off valve(s) to terminate supply lines. See OM&IG for complete installation guide.

OPERATION

System shall allow filling soap reservoir from top of vanity without requiring removal of tank under vanity. Individual control modules will draw soap as required to operate until supply is depleted if shutoff valve L-Fitting (or T-Connector, optionally installed) is in FLOW-ON position. Diagnostic steady or flashing green or red LED indicates battery and/or soap condition (see OM for full description). Tank supply is replenished manually on a cycle determined by maintenance needs by removing anti-vandalism snap-in fill port cover with tool provided and using fill funnel (provided) and then replacing cover. When filling the tank, the top level sensor will sound the buzzer when maximum soap level is reached, to advise service tech to stop filling so as to avoid overfilling. See OM for complete maintenance and refilling instructions.