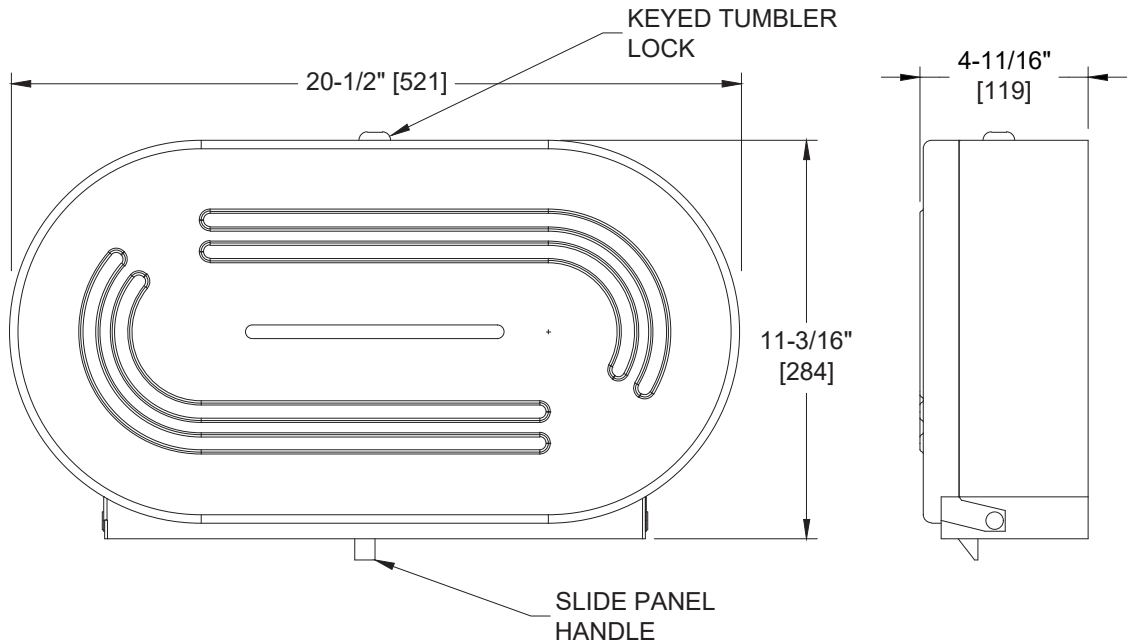


**Low Profile 9" Jumbo Roll Toilet Tissue Dispenser – Surface Mounted**

Toilet Tissue Dispensers

MasterFormat Section 10 28 13



Scan for Information



**SUSTAINABILITY/LEED**

MR 4.1 (1) MR 6 (1) EQ 4.2 (1)  
MR 4.2 (1) EQ 4.1 (1) EQ 4.4 (1)

**NOTE:**  
ALL DIM'S INCH [MM]  
ILLUSTRATION FOR REF ONLY AND NTS

**PRODUCT OVERVIEW**

Holds two 9" diameter [Ø229] rolls of 2-1/4" Dia. [Ø57] or 3" Dia. [Ø76] diameter core. When one roll is depleted, slide panel to expose other roll. Door cabinet and mounting plate fabricated of 18 gauge type 304 stainless steel with a satin finish. Door is hung on heavy-duty stainless steel pivot hinges. Equipped with tumbler lock.

**KEY FEATURES & SPECIFICATIONS**

- Low Profile - Twin Jumbo Roll Dispenser
- Holds two 9" Dia. [Ø229] rolls
- Type 304 Stainless Steel - Satin Finish
- Surface Mounted

**OPERATION & MAINTENANCE**

Two (2) 9" [Ø229] outside diameter jumbo rolls of toilet tissue are mounted over 3" [Ø76] inside diameter (ID) core adapters. Two (2) 2-1/4" [Ø57] ID core rolls may be used by removing the core adapters. Whenever one roll of toilet tissue is depleted, the other roll is selected by shifting over the lever at the bottom of the unit. Viewing slot continuously reveals tissue level. Key and locked door prevents unauthorized access or removal. Tissue supply is replenished on a cycle determined by maintenance needs.

**TECHNICAL INFORMATION / PRODUCT PROPERTIES**

Property	Value
Dimensions	20-1/2" [521] W x 11-3/16" [284] x 4-11/16" [119] D
Construction	Type 304 Stainless Steel - Satin Finish
Mounting	Surface Mounted
Capacity	Holds two 9" Dia. [Ø229] rolls

**INSTALLATION**

Surface mount unit for general utility within 12" [305] of front of toilet from centerline and 31" [787] above finished floor (AFF) from bottom of unit with five (5) screws (by others) through mounting holes provided. Install unit for compliance with 2010 ADA Accessibility Standards so that centerline of nearest roll is # farther than 7" to 9" [178 to 229] from front of commode and centerline of rolls is 19" [483] minimum AFF to 44" [1118] max AFF.

**OPTIONS**

**WARRANTY**

One (1) Year from date of Invoice