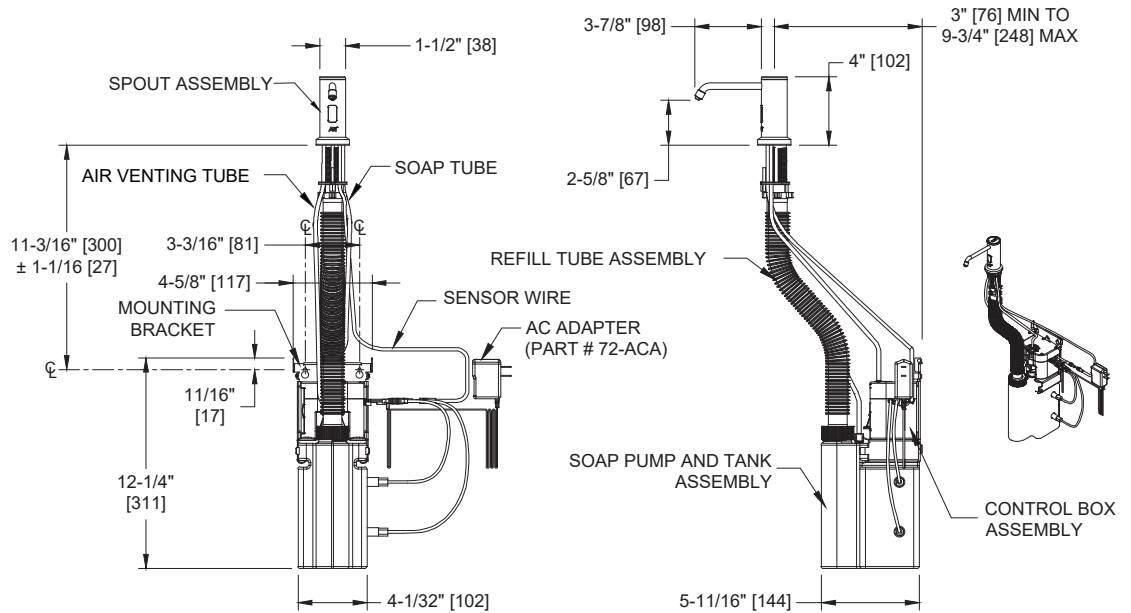


Automatic TOP FILL Liquid Soap Dispenser

Soap Dispensers

MasterFormat Section 10 28 13



Scan for Information



SUSTAINABILITY/LEED

MR 4.1 (1) MR 6 (1) EQ 4.2 (1)
MR 4.2 (1) EQ 4.1 (1) EQ 4.4 (1)

NOTE:
ALL DIM'S INCH [MM]
ILLUSTRATION FOR REF ONLY AND NTS
SEE SOAP DISPENSER CARE & MAINTENANCE
DOCUMENT ONLINE FOR CLEANING

PRODUCT OVERVIEW

Anti-theft top opens with funnel that has built in key for neat and easy maintenance. LED ring indicates low liquid soap levels and incorrect soap. Smart Sensor prevents messy overfilling by beeping and flashing LED ring. AC powered.

KEY FEATURES & SPECIFICATIONS

- Anti-theft top opens using a built in key on the funnel (supplied)
- Smart Sensor prevents messy overfilling by beeping and flashing LED ring. LED ring indicates low soap levels and incorrect soap.
- Type 316 Stainless Steel - Bright Polished Finish
- LED ring indicates low soap levels and incorrect soap
- Vanity Mounted - Top Fill - No need to go under the sink to fill
- Automatic - AC Operated - "No Touch"
- Liquid Soap - 50.7 oz. (1.5 L) Capacity

OPERATION & MAINTENANCE

Liquid soap is automatically dispensed when hands are placed in sensor zone. LED indicator flashes once to indicate detection of object in sensor zone. An indicator LED shall provide status notification soap level and condition, and user sensor detection (see OM for full description). Soap dispenser will continue to feed properly until empty. Tank supply is replenished manually on a cycle determined by maintenance needs. When filling the tank, the top level sensor will sound the buzzer when maximum soap level is reached, to advise service tech to stop filling so as to avoid overfilling. See OM for complete maintenance and refilling instructions.

TECHNICAL INFORMATION / PRODUCT PROPERTIES

Property	Value
Dimensions	1-1/2" x 5-3/8" [38 x 137] Spout Projection: 3-7/8" [98]
Construction	Type 316 Stainless Steel - Bright Polished Finish
Mounting	Vanity/Counter Mount
Options	N/A

INSTALLATION

Mount unit to counter top with washers and basin nut (supplied) through 1-1/2" diameter [38 dia.] hole in counter top to suit site conditions within Min-Max thickness range. Install pump control module with supply tank under vanity as per mounting template provided. Maximum deck thickness for spout installation is 2-1/4" [57] and minimum is 3/32" [2,4] for metal construction. Installation and Operation Instructions (OM #1905270332) and Mounting Template (MT #1902271650) are provided with unit in carton.

WARRANTY

One (1) Year from date of invoice