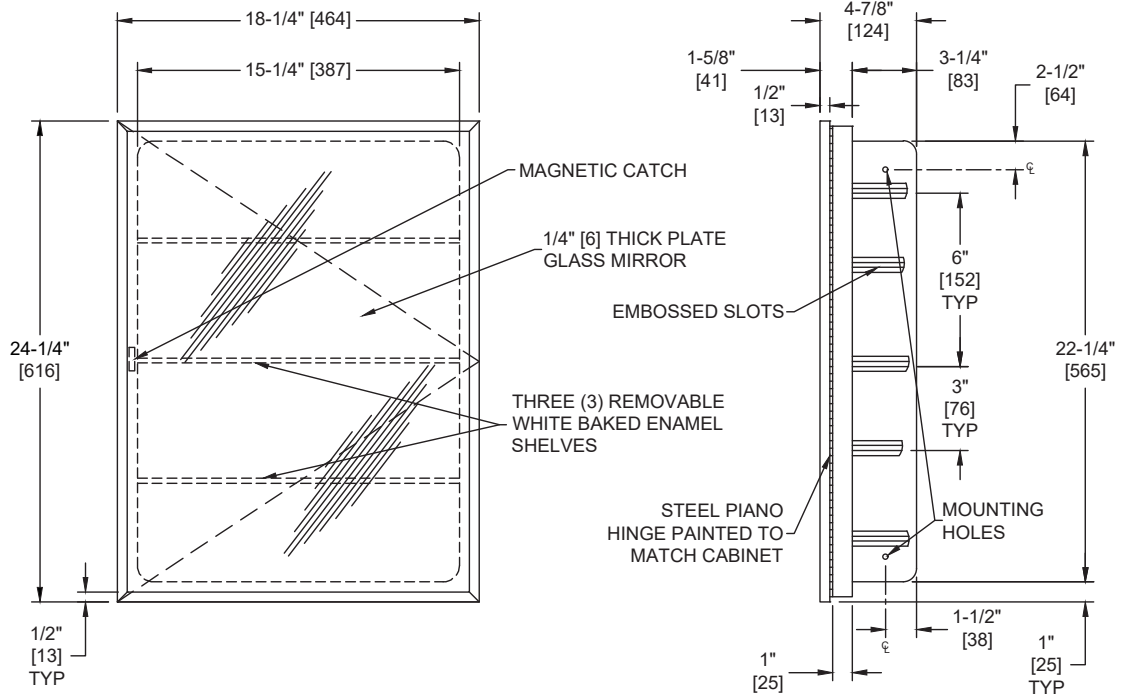


Medicine Cabinet – Recessed, Enameled Steel – 18-1/4" [460] w x 24-1/4" [615] h

Shower/Tub Accessories

MasterFormat Section 10 28 13



Scan for Information



SUSTAINABILITY/LEED

NOTE:
ALL DIM'S INCH [MM]
ILLUSTRATION FOR REF ONLY AND NTS

PRODUCT OVERVIEW

One-piece, drawn cold rolled steel with white powder coated steel finish. Stainless steel channel framed mirrored door with 1/4" [6] thick plate glass, has continuous piano hinge and magnetic catch. Three removable white enamel steel shelves.

KEY FEATURES & SPECIFICATIONS

- Channel framed mirrored door with a Continuous Piano Hinge
- Comes with 3 removable shelves
- Enamel Coated Steel
- 1/4" [6] thick plate glass
- Recessed

OPERATION & MAINTENANCE

Pull the door to access contents and manually pushes door to engage magnetic catch that holds door shut. Shelf spacing may be adjusted by removing shelves and inserting in any of five (5) internally embossed tracks on each side of cabinet interior.

TECHNICAL INFORMATION / PRODUCT PROPERTIES

| Property | Value |
|--------------|--|
| Dimensions | 18-1/4" [465] W x 24-1/4" [615] H x 4-7/8" [120] D |
| Construction | Enamel Coated Steel 1/4" [6] thick plate glass |
| Mounting | Recessed |
| Materials | <u>Cold Rolled Steel With a Neutral Baked Enamel Finish.</u> |

INSTALLATION

Unit is mounted in wall recess using four (4) #10 pan head self-threading screws (by others) through concealed mounting holes provided in cabinet sides. For general utility mount unit 46" [1168] above finish floor (AFF) to bottom of unit or 12" [305] above wash basin. For compliance with 2010 ADA Accessibility Standards install unit so that bottom edge of mirror is 40" [1016] MAX AFF. Note that bottom edge of reflecting surface is 3/4" [19] below rough wall opening (RWO). Rough Wall Opening (RWO) required is 16" [406] W x 22-3/4" [578] H x 3-1/2" [89] D minimum

ADDITIONAL INFORMATION
WARRANTY

One (1) Year from date of Invoice