



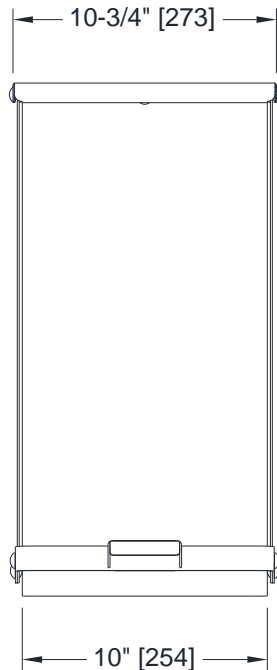
**AMERICAN SPECIALTIES, INC.**  
441 Saw Mill River Road, Yonkers, NY 10701  
(914) 476.9000 • (914) 476.0688  
www.americanspecialties.com

**MODEL №:** 0815

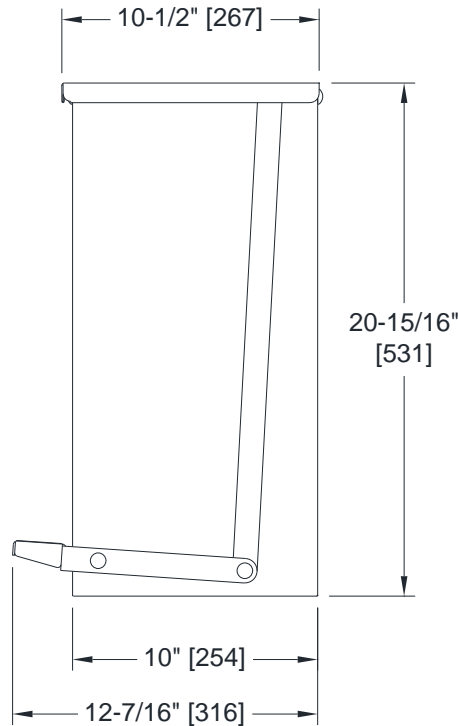
**ISSUED:** 06/2017

**REVISED:** 29 OCT 2020

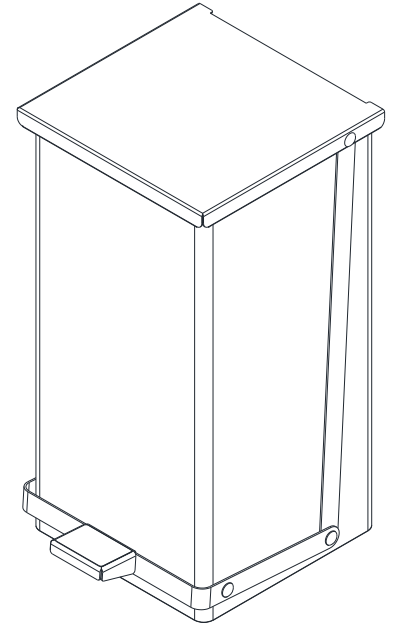
## FLOOR STANDING FOOT OPERATED WASTE RECEPTACLE



**FRONT VIEW**



**SIDE VIEW**



**ISOMETRIC**

**NOTE**

ALL DIM'S INCH [MM]

ILLUSTRATION FOR REF ONLY AND NTS

### **SPECIFICATION**

Floor Standing Foot Operated Waste Receptacle shall hold 8 Gal. (30.7 L) of waste material. Waste receptacle body shall be 22 gage type 304 stainless steel alloy 18-8 and top shall be 18 gage. Top shall be attached to body with a stainless steel multi-staked piano hinge. Foot pedal & straps shall be 14 gage. Waste receptacle shall have hemmed edges for safety and shall have pull clamps for hanging a disposable trash bag (by others). Structural assembly of all components shall be of welded construction. All exposed surfaces shall be satin finish and be protected during shipment with PVC film easily removable after installation.

**Floor Standing Foot Operated Waste Receptacle shall be Model № 0815 as manufactured by American Specialties, Inc., 441 Saw Mill River Road, Yonkers, New York 10701-4913**

### **INSTALLATION**

Waste receptacle is free standing and should be placed in appropriate position on finished floor.

### **OPERATION**

Owner provides disposable trash bags to hang on hinged pull clamps. Waste material is deposited into receptacle disposable liner bag (by others) through top opening while user is pressing down on foot pedal. Waste receptacle is emptied manually on cycle determined by maintenance requirements.