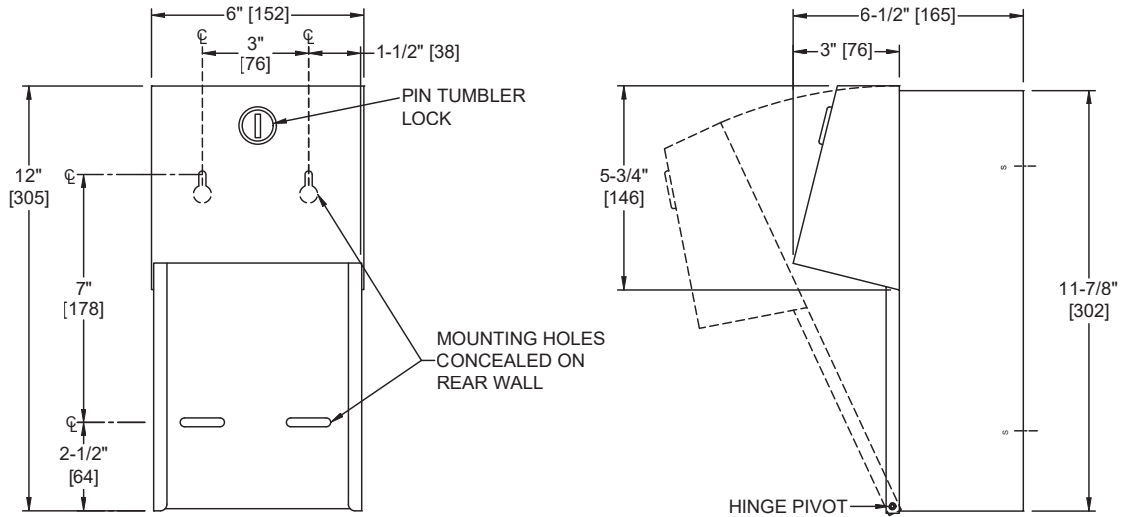


**Toilet Tissue Dispenser, Twin Hide-A-Roll – Surface Mounted**

Toilet Tissue Dispensers

MasterFormat Section 10 28 13



Scan for Information



**SUSTAINABILITY/LEED**

MR 4.1 (1) MR 6 (1) EQ 4.2 (1)  
MR 4.2 (1) EQ 4.1 (1) EQ 4.4 (1)

**NOTE:**  
ALL DIM'S INCH [MM]  
ILLUSTRATION FOR REF ONLY AND NTS

**PRODUCT OVERVIEW**

Holds two rolls up to 5-1/4" diameter [Ø133] (1800 sheets). Top roll automatically drops in place when bottom roll is used up. 18 gauge [1,3] type 304 stainless steel alloy 18-8 door, cabinet body and dispensing mechanism shall be 22 gauge [0,8] same grade. Theft resistant spindles and tumbler lock keyed alike to other ASI washroom equipment.

**KEY FEATURES & SPECIFICATIONS**

- "Hide-A-Roll" Dispenser holds Two Rolls
- Type 304 Stainless Steel - Satin Finish
- Surface Mounted

**OPERATION & MAINTENANCE**

Reloading instructions are printed on graphic label inside door. Bottom roll is depleted prior to top roll automatically dropping into lower position for use. Empty rollers cannot be removed without key unlocking door.

**TECHNICAL INFORMATION / PRODUCT PROPERTIES**

Property	Value
Dimensions	6" [152] W x 12" [305] H x 6-1/2" [165] D
Construction	Type 304 Stainless Steel - Satin Finish
Mounting	Surface Mounted
Capacity	Holds two 5 1/4" Dia. [Ø133] rolls

**INSTALLATION**

Unit is surface mounted on wall or partition using four (4) 1/4" x 1" [M6 x 25] Philips pan-head self-threading screws (by others) through slots on rear wall into suitable wall preparation (by others). Top two (2) mounting holes through back are "keyhole" slots for ease in hanging unit on pre-installed screws. Bottom two (2) mounting holes are horizontal slots for ease of adjustment. For compliance with 2010 ADA Accessibility Standards and 2015 ABA Standards install unit with axis of bottom roller 15" [381] min AFF (Above Finished Floor) to 48" [1219] max AFF and centerline of dispenser shall be 7" [178] min to 9" [229] max.

**OPTIONS**
**WARRANTY**

One (1) Year from date of Invoice