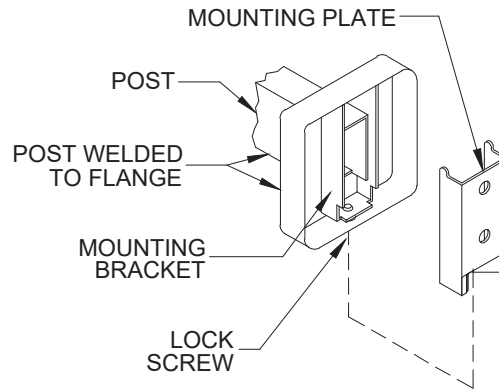
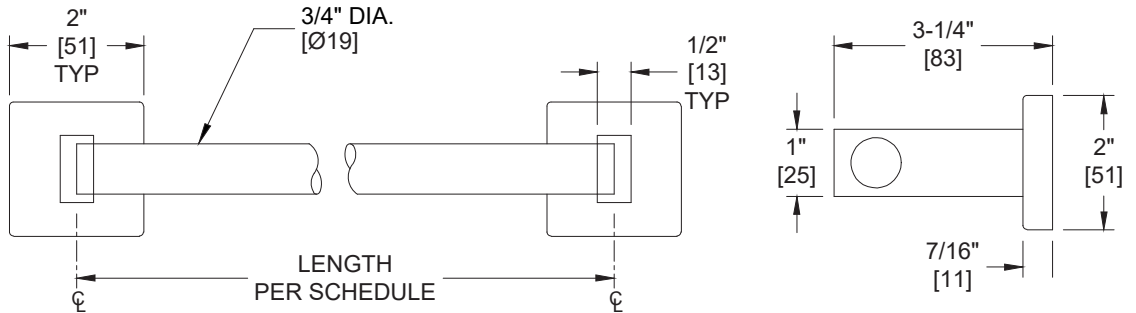


**Towel Bar (Round) – Surface Mounted, Satin Finish**

Specialty Accessories

MasterFormat Section 10 28 13



Scan for Information



**SUSTAINABILITY/LEED**

MR 4.1 (1) MR 6 (1) EQ 4.2 (1)  
MR 4.2 (1) EQ 4.1 (1) EQ 4.4 (1)

**NOTE:**  
ALL DIM'S INCH [MM]  
ILLUSTRATION FOR REF ONLY AND NTS

**PRODUCT OVERVIEW**

3/4" [Ø19] diameter stainless steel towel bar and stainless steel mounting bracket. Extends 3-1/4" [83] from wall. Model Option Notes: -B is Bright finish -S is Satin finish Available in 18" [457], 24" [610] and 30" [762] lengths. 7355-18B – Bright finish, 18" [457] length 7355-24B – Bright finish, 24" [610] length 7355-30B – Bright finish, 30" [762] length 7355-18S – Satin finish, 18" [457] length 7355-24S – Satin finish, 24" [610] length 7355-30S – Satin finish, 30" [762] length

**KEY FEATURES & SPECIFICATIONS**

- Round Towel Rod
- Type 304 Stainless Steel - Satin Finish
- Surface Mounted

**OPERATION & MAINTENANCE**

Hook is suitable for a robe or clothing and small carry bags.

**TECHNICAL INFORMATION / PRODUCT PROPERTIES**

Property	Value
Dimensions	2" [51] x 3-1/4" [83] D - Lengths available from 18" [457] - 30" [762]
Construction	Type 304 Stainless Steel - Satin Finish
Mounting	Surface Mounted
Capacity	

**INSTALLATION**

Surface mount unit on wall using #10 self-threading screws (by others) through holes provided in mounting plates into suitable prepared mountings (by others) or other suitable mounting hardware (by others) to suit wall conditions. Hang post and flange assemblies on mounting plates with bar captured and tighten setscrews to lock unit to plates. For compliance with ICC/ANSI A-117.1-2003 and 2010 ADA Accessibility Standards, install unit with top of towel rod 48" [1219] maximum Above Finished Floor (AFF) if clear floor forward reach or if clear floor side reach access only is provided or 46" [1168] max AFF if side reach access over an obstruction (e.g. vanity) with reach depth greater than 10" [254] and less than 25" [635] is only provided or 44" [1118] max AFF if forward reach over an obstruction (e.g. commode) with reach depth greater than 20" [508] and less than 25"[635] is only provided. For general utility, install towel rod with centerline of mounting plates at 55" [1397] AFF.

**ADDITIONAL INFORMATION**

N/A

**WARRANTY**

One (1) Year from date of Invoice