



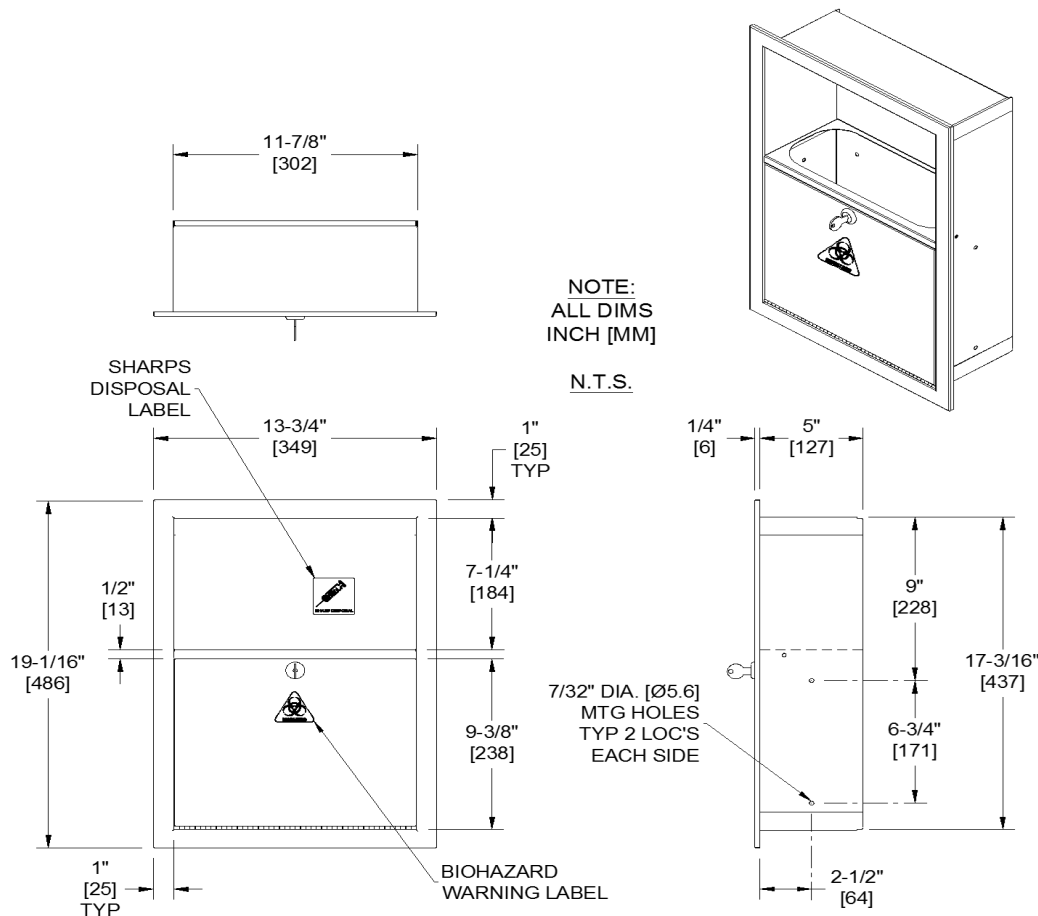
AMERICAN SPECIALTIES, INC.
 441 Saw Mill River Road, Yonkers, NY 10701
 (914) 476.9000 • (914) 476.0688
 www.americanspecialties.com

MODEL №: 0548

ISSUED: 12/2016

REVISED: 14 FEB 2017

RECESSED SHARPS DISPOSAL CABINET



SPECIFICATION

Recessed Sharps Disposal Cabinet and door shall be 18 gauge [1.2] type 304 stainless steel alloy 18-8 and shall accommodate one (1) Becton, Dickinson and Company (BD) Brand Sharps Collector model № 305443 (by others). Structural assembly of all cabinet components shall be of welded construction. Fixed trim shall be 1" [25] wide formed from one piece 18 gauge type 304 stainless steel with no miters, welding or open seams and have 1/4" [6] square returns to wall or partition. Door shall be attached to the cabinet at bottom with a full-length 3/16" diameter [Ø4.8] stainless steel multi-staked piano hinge and shall be held closed with a tumbler lock keyed alike to other ASI washroom equipment. Door shall be prominently marked with graphic label indicating Biohazard. All exposed surfaces shall be satin finish and shall be protected during shipment with PVC film easily removable after installation.

Recessed Sharps Disposal Cabinet shall be Model № 0548 as manufactured by American Specialties, Inc., 441 Saw Mill River Road, Yonkers, New York 10701-4913

INSTALLATION

Unit is mounted in wall recess using four (4) № 10 screws (by others) through mounting holes provided in cabinet sides. For compliance with 2010 ADA Accessibility Standards, install unit so that bottom of rough wall opening (RWO) is 35-3/4" [908] maximum above finished floor (MAX AFF). Note that bottom of RWO is 9/32" [7] below bottom of cabinet. For general utility, install unit with bottom of RWO at 38" [965] MAX AFF.

RWO required: 12-1/8" W x 17-3/4" H x 5" D [308 x 451 x 127] minimum

OPERATION

Sharps (by others) are deposited through top of Sharps Collector (BD model № 305443, by others) as per instructions supplied with the specified model. Sharps Collector is replaced manually on cycle determined by maintenance needs. Locked cabinet prevents unauthorized removal.