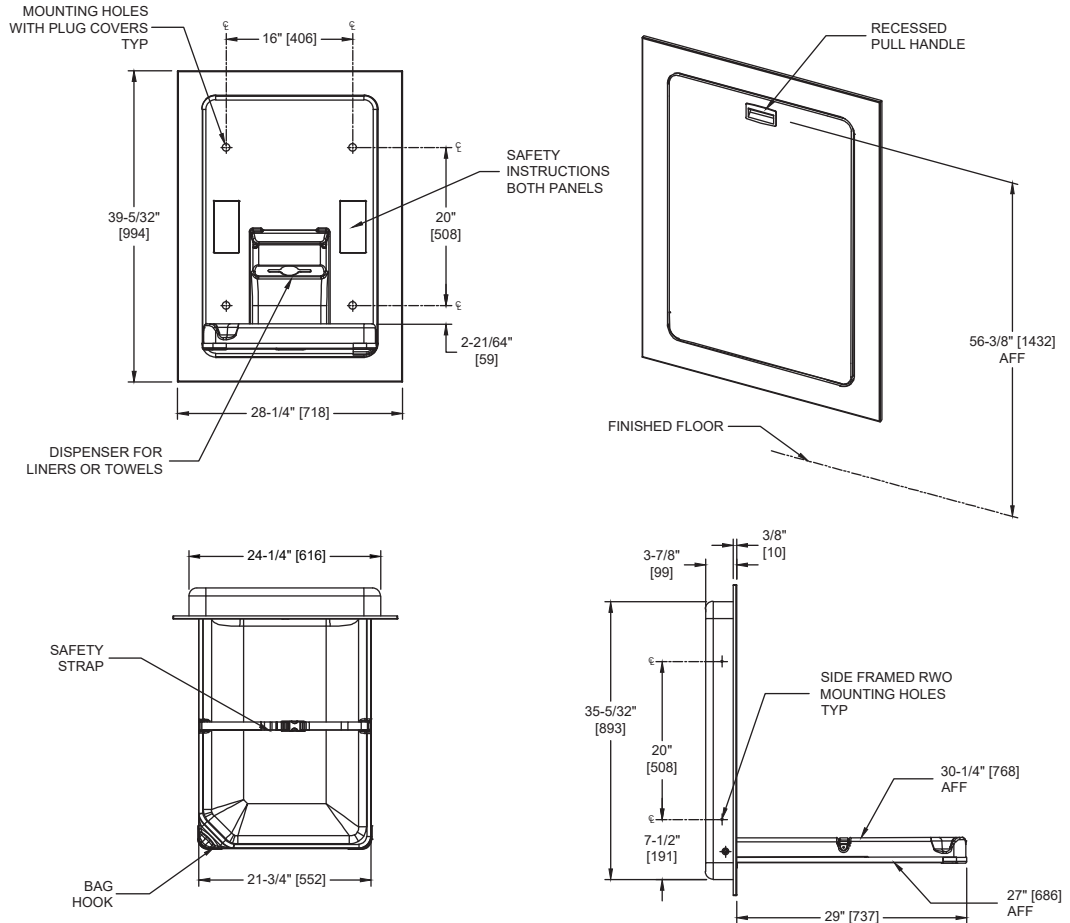


**BABY CHANGING STATION, VERTICAL – STAINLESS STEEL, RECESSED**

Baby Changing Stations

MasterFormat Section 10 28 13



Scan for Information



**SUSTAINABILITY/LEED**

MR 4.1 (1) MR 6 (1) EQ 4.2 (1)  
MR 4.2 (1) EQ 4.1 (1) EQ 4.4 (1)

**NOTE:**  
ALL DIM'S INCH [MM]  
ILLUSTRATION FOR REF ONLY AND NTS

**PRODUCT OVERVIEW**

This vertical station has a door facing and collar made from 20 gauge 304 stainless steel. Fabricated of FDA-approved fungus and bacteria-resistant plastic. Unit supports an infant up to 3 ½ years old and a weight up to 50 lbs (23 kg). Unit platform is shaped to keep a child restrained from rolling out of the bed. Unit is easily opened and closed by user with one hand in any location and handle cavity is provided on door face for preferred use. Unit is operable with less than 5lb of force (22.2N) while not requiring any tight grasping, pinching or twisting of the wrist. Bed liner/towel dispenser presents liners or towels for user hygiene and convenience. Dispenser lid is provided for sanitary protection and ease of loading of wipes or liners. Safety strap is easily adjustable by user for baby size and Sure-Lock latch securely resists opening until released by opposing finger pressure by adult caretaker/parent.

**KEY FEATURES & SPECIFICATIONS**

- ASTM F-2285 & F-2388, G-21, G-22, ANSI Z535, ANSI 117.1, EN 1222-1, and EN 1221-2 (Including A1:2013) compliant. Damped gas spring aids one handed operation using less than 5lbs force (22.2N) - no tight grasping, pinching or twisting of the wrist.
- Vertical space-saver changing station is ideal for mounting in smaller spaces.
- Includes one integral bag hook and bed-liner dispenser (convertible to a multi-fold towel dispenser)
- Door facing and flange dress trim are made of 20 gauge Type 304 Stainless Steel - Satin Finish.
- Changing Surface is fabricated of FDA-approved fungus and bacteria-resistant HDPE.
- Recessed Mounting. Designed to support an infant up to 3 ½ years old and a weight up to 50 lbs (23 kg)
- The bed is designed to cradle a child's body. An adjustable two-part, vinyl-coated safety strap with a Sure-Lock latch aids in safety.

**OPERATION & MAINTENANCE**

Unit platform is shaped to keep a child restrained from rolling out of the bed. Unit is easily opened and closed by user with one hand in any location and handle cavity is provided on door face for preferred use. Unit is operable with less than 5 lbs (22.2N) while not requiring any tight grasping, pinching or twisting of the wrist. Bed liner/towel dispenser presents liners or towels for user hygiene and convenience. Dispenser lid is provided for sanitary protection and ease of loading of wipes or liners. Safety strap is easily adjustable by user for baby size and Sure-Lock latch securely resists opening until released by opposing finger pressure by adult caretaker/parent. Liners/towels are easily replenished by service personnel as required.

**TECHNICAL INFORMATION / PRODUCT PROPERTIES**

Property	Value
Dimensions	Closed: 28-1/4" x 39-5/32" x 3/8" [718 x 994 x 10] Open: 28-1/4" x 39-5/32" x 29-3/8" [718 x 994 x 746]
Construction	Type 304 Stainless Steel - Satin Finish FDA-approved fungus and bacteria-resistant plastic bed
Mounting	Surface Mounted
Capacity	Supports an infant up to 3 ½ years old and a weight up to 50 lbs (23 kg)

**INSTALLATION**

Installation instructions along with operation and maintenance manual are provided with each unit. Unit is recess mounted using hardware supplied through concealed mounting holes. Hardware kit supplied has fasteners suitable for metal or wood stud walls in dry locations and general hollow wall construction where adequate substrate strength is obtained. Fasteners and anchors for masonry walls are not provided. Wall reinforcement must be suitable to sustain transfer of maximum unit loading. Provide Rough Wall Opening (RWO) of required depth from face of finished wall. Mount unit in properly framed RWO using four (4) #10 x 1-1/2" [M5x38] self-threading pan head screws through side holes. For alternate rear holes mounting see installation instructions packed with unit. Alternate suggested mounting where wall depth and framing reinforcement permits is to use four (4) 3/8" x 2" [M10x51] lag screws (or other fasteners appropriate for wall conditions, not supplied) through mounting holes in rear wall of cabinet. Use washers and mounting hole plug covers provided to conceal fasteners after installation. If surface mounting this unit using optional dress collar use hardware provided if appropriate or other hardware suitable for site conditions (by others). Follow procedure in instructions provided.

Rough Wall Opening (RWO) required is 24-1/2" W x 35-1/2" H x 4" D minimum [622 x 902 x 102]

**WARRANTY**

Five (5) Years from date of Invoice