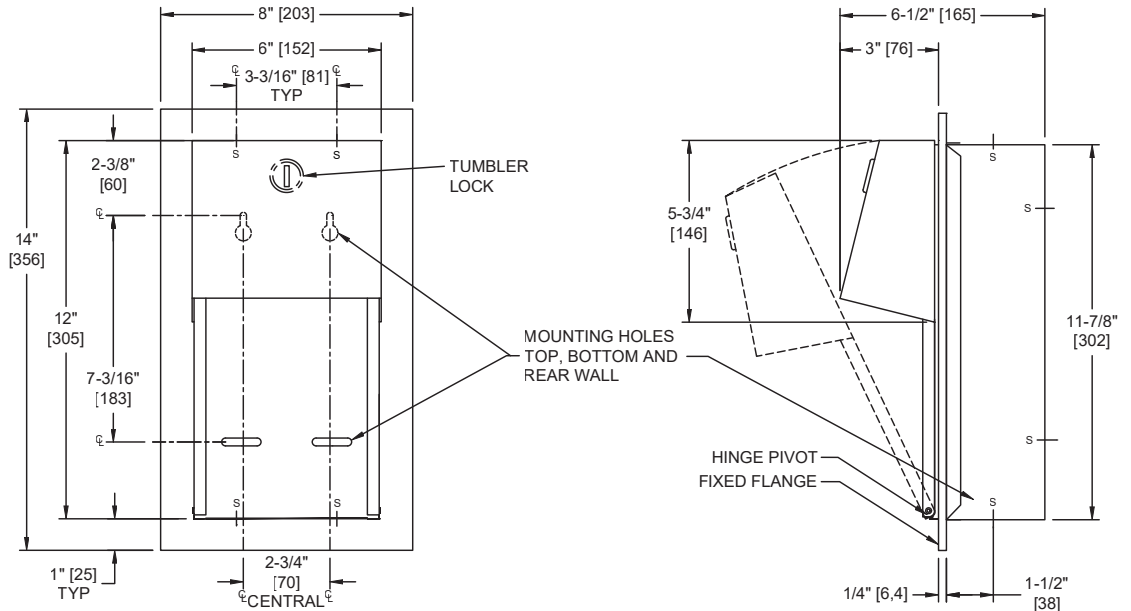
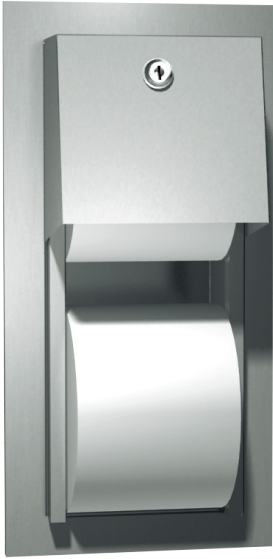


**Toilet Tissue Dispenser, Twin Hide-A-Roll – Recessed**

Toilet Tissue Dispensers

MasterFormat Section 10 28 13



Scan for Information



**SUSTAINABILITY/LEED**

MR 4.1 (1) MR 6 (1) EQ 4.2 (1)  
MR 4.2 (1) EQ 4.1 (1) EQ 4.4 (1)

**NOTE:**  
ALL DIM'S INCH [MM]  
ILLUSTRATION FOR REF ONLY AND NTS

**PRODUCT OVERVIEW**

Holds two rolls up to 5-1/4" diameter [Ø133] (1800 sheets). Top roll automatically drops in place when bottom roll is used up. 8 gauge [1,3] type 304 stainless steel alloy 18-8 door, cabinet body and dispensing mechanism shall be 22 gauge [0,8] same grade. Theft resistant spindles and tumbler lock keyed alike to other ASI washroom equipment. Provided with flange for recess mounting.

**KEY FEATURES & SPECIFICATIONS**

- "Hide-A-Roll" Dispenser holds Two Rolls
- Type 304 Stainless Steel - Satin Finish
- Recessed

**OPERATION & MAINTENANCE**

Reloading instructions are printed on graphic label inside door. Bottom roll is depleted prior to top roll automatically rapping into lower position for use. Empty rollers cannot be removed without key unlocking door.

**TECHNICAL INFORMATION / PRODUCT PROPERTIES**

Property	Value
Dimensions	8" [203] W x 14" [356] H x 6-1/2" [165] D
Construction	Type 304 Stainless Steel - Satin Finish
Mounting	Recessed
Capacity	Holds two 5 1/4" Dia. [Ø133] rolls

**INSTALLATION**

Unit is recessed mounted in wall using four (4) #10 self-threading screws (by others). Top two (2) mounting holes through back are "keyhole" slots for ease in hanging unit on pre-installed screws. Bottom two (2) mounting holes are horizontal slots for ease of adjustment. Alternate mounting holes are provided in top and bottom of unit for installation convenience. For compliance with 2010 ADA Accessibility Standards and 2015 ABA Standards install unit so that center line of dispenser is 7" [178] min to 9" [229] max in front of the toilet closet and axis of roll is 15" [381] min AFF (Above Finished Floor) to 48" [1219] max AFF.

Rough Wall Opening (RWO) required is 6-1/4" [159] W x 12-1/4" [311] H x 3-3/8" [86] D minimum

**OPTIONS**

**WARRANTY**

One (1) Year from date of Invoice