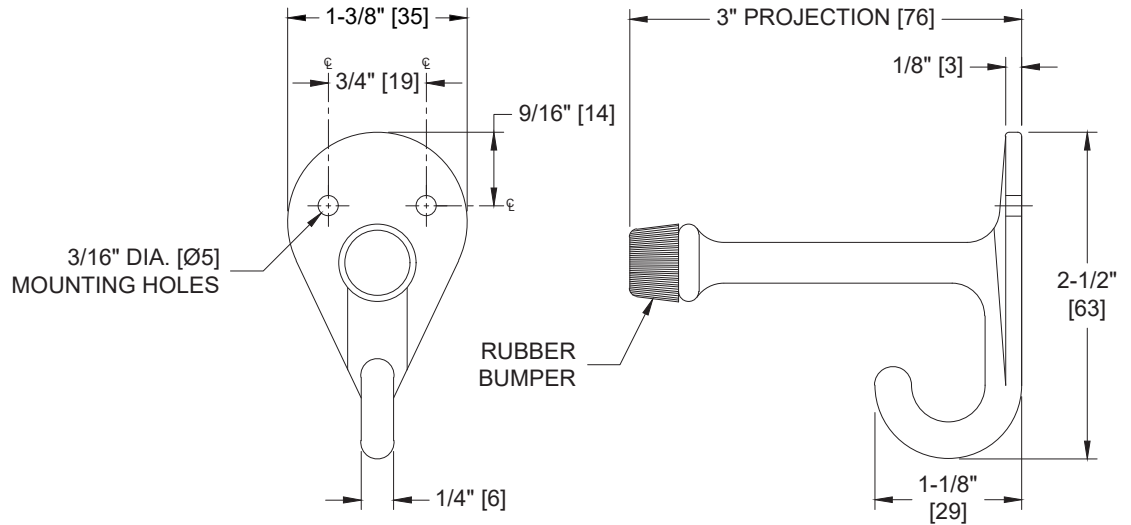


**Coat Hook and Bumper – Chrome Plated Brass – Surface Mounted**

Specialty Accessories

MasterFormat Section 10 28 13



**SUSTAINABILITY/LEED**

MR 4.1 (1) MR 6 (1) EQ 4.2 (1)  
MR 4.2 (1) EQ 4.1 (1) EQ 4.4 (1)

**NOTE:**  
ALL DIM'S INCH [MM]  
ILLUSTRATION FOR REF ONLY AND NTS

**PRODUCT OVERVIEW**

Fabricated of brass with a chrome finish and a black neoprene bumper to protect wall and or partition surfaces. Two (2) mounting holes capable of accommodating #10 screws (supplied by others) are provided for anchoring unit to wall.

**KEY FEATURES & SPECIFICATIONS**

- Heavy Duty Chrome Plated Brass
- Surface Mounted

**OPERATION & MAINTENANCE**

Washroom accessory products require regular surface cleaning, much the same as stainless steel sinks, pots and pans, and eating utensils. As long as a regular cleaning schedule is followed, the best method is cleaning with a soft clean rag moistened with a mild detergent, followed by a water-moistened clean rag and then a dry rag.

**TECHNICAL INFORMATION / PRODUCT PROPERTIES**

Property	Value
Dimensions	1-3/8" [35] W x 2-1/2" [63] H x 3" [76] D
Construction	Heavy Duty Chrome Plated Brass
Mounting	Surface Mounted
Capacity	

**INSTALLATION**

Bumper is surface mounted to wall or partition using #10 self-threading pan head screws (supplied by others).

**ADDITIONAL INFORMATION**

N/A

**WARRANTY**

One (1) Year from date of Invoice