

**Surface Mounted Surgical Glove Dispenser – Two Boxes**

Healthcare Accessories

MasterFormat Section 10 28 13

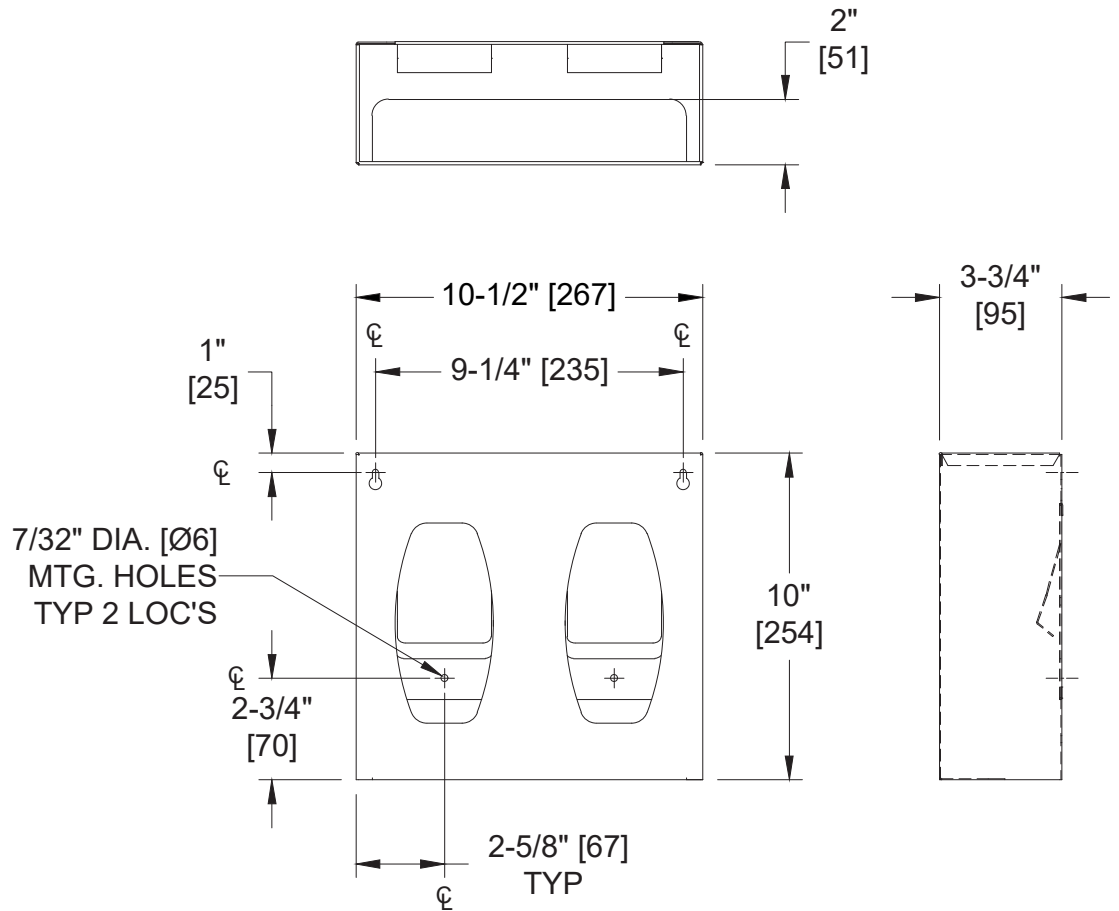


Scan for Information



**SUSTAINABILITY/LEED**

MR 4.1 (1) MR 6 (1) EQ 4.2 (1)  
MR 4.2 (1) EQ 4.1 (1) EQ 4.4 (1)



**NOTE:**  
ALL DIM'S INCH [MM]  
ILLUSTRATION FOR REF ONLY AND NTS

**PRODUCT OVERVIEW**

Holds and dispenses two (2) standard size surgical glove boxes. Type 304 stainless steel with satin finish. Dispensing opening includes a fully deburred edge for snag-free dispensing and user safety. Surgical Gloves are self-feeding until supply is depleted. Units fit most standard glove boxes sized up to 5" [127] W x 10" [254] H x 3-3/4" [95] D minimum

**KEY FEATURES & SPECIFICATIONS**

- Multiple Box Holder
- Holds 2 Boxes
- Box body and back fabricated of 20 gauge Type 304 Stainless Steel, Alloy 18-8 - Satin Finish
- Surface Mounted
- Dispensing opening has a fully deburred edge for snag-free dispensing and user safety

**OPERATION & MAINTENANCE**

Surgical Gloves are self-feeding until supply is depleted. Units fit most standard glove boxes sized up to 5" [127] W x 10" [254] H x 3-3/4" [95] D minimum

**TECHNICAL INFORMATION / PRODUCT PROPERTIES**

Property	Value
Dimensions	10-1/2" [267] W x 10" [254] H x 3-3/4" [95] D
Construction	Type 304 Stainless Steel - Satin Finish
Mounting	Surface Mounted
Capacity	Holds 2 Boxes sized up to 5" [127] W x 10" [254] H x 3-3/4" [95] D

**INSTALLATION**

Dispenser is surface mounted on wall or partition. Hang dispenser on two (2) pre-installed #10 self-threading screws (by others) using keyhole openings provided. When dispenser is positioned, lock in place using one (1) #10 self-threading screw (by others) for model #0501-1 or two (2) #10 self-threading screws (by others) for all other models through bottom holes provided into appropriate anchors (by others). Recommended mounting height is between 48" [1219] and 60" [1524] Above Finished Floor (AFF) from top of dispenser. For compliance with 2010 ADA Accessibility Standards, install unit so that dispenser slot is 48" [1219] maximum Above Finished Floor (AFF).

**WARRANTY**

One (1) Year from date of Invoice