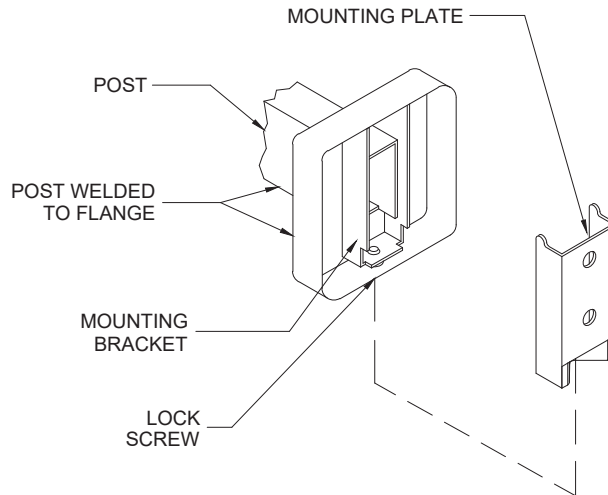
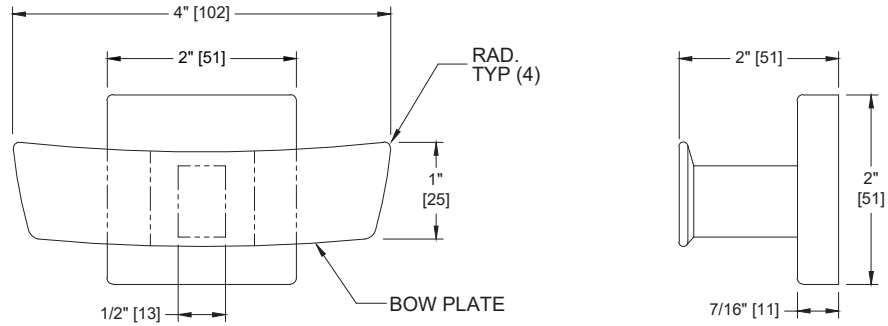


Robe Hook (Double) – Surface Mounted, Bright Finish

Specialty Accessories

MasterFormat Section 10 28 13



NOTE:
ALL DIM'S INCH [MM]
ILLUSTRATION FOR REF ONLY AND NTS

Scan for Information



SUSTAINABILITY/LEED

MR 4.1 (1) MR 6 (1) EQ 4.2 (1)
MR 4.2 (1) EQ 4.1 (1) EQ 4.4 (1)

PRODUCT OVERVIEW

4" [102] wide stainless steel bar forms hook at each end. Unit extends 2" [51] from wall. Hook is suitable for robes or clothing and small carry bags. Bright finish. Model Option Notes: 7345-B – Bright Finish 7345-S – Satin Finish

KEY FEATURES & SPECIFICATIONS

- Double Hook
- Type 304 Stainless Steel - Satin Finish
- Surface Mounted

OPERATION & MAINTENANCE

Hook is suitable for a robe or clothing and small carry bags.

TECHNICAL INFORMATION / PRODUCT PROPERTIES

Property	Value
Dimensions	4" [102] W x 2" [51] H x 2" [51] D
Construction	Type 304 Stainless Steel - Satin Finish
Mounting	Surface Mounted
Capacity	

INSTALLATION

Surface mount unit on door back or wall using two (2) #10 self-threading screws (by others) through holes provided in mounting plate into suitable prepared mountings (by others) or other suitable mounting hardware (by others) to suit door or wall conditions. Hang post and flange assembly on mounting plate and tighten set screw to lock unit to plate. For compliance with ICC/ANSI A-117.1-2003 and 2010 ADA Accessibility Standards, install unit with top of hook 48" [1219] maximum Above Finished Floor (AFF) or 46" [1168] max AFF if side reach access over an obstruction (e.g. vanity) with reach depth greater than 10" [254] and less than 25" [635] is only provided or 44" [1118] max AFF if forward reach over an obstruction with reach depth greater than 20" [508] and less than 25" [635] is only provided. For general utility, install hook with centerline of mounting plate 68" [1727] AFF.

ADDITIONAL INFORMATION

N/A

WARRANTY

One (1) Year from date of Invoice