



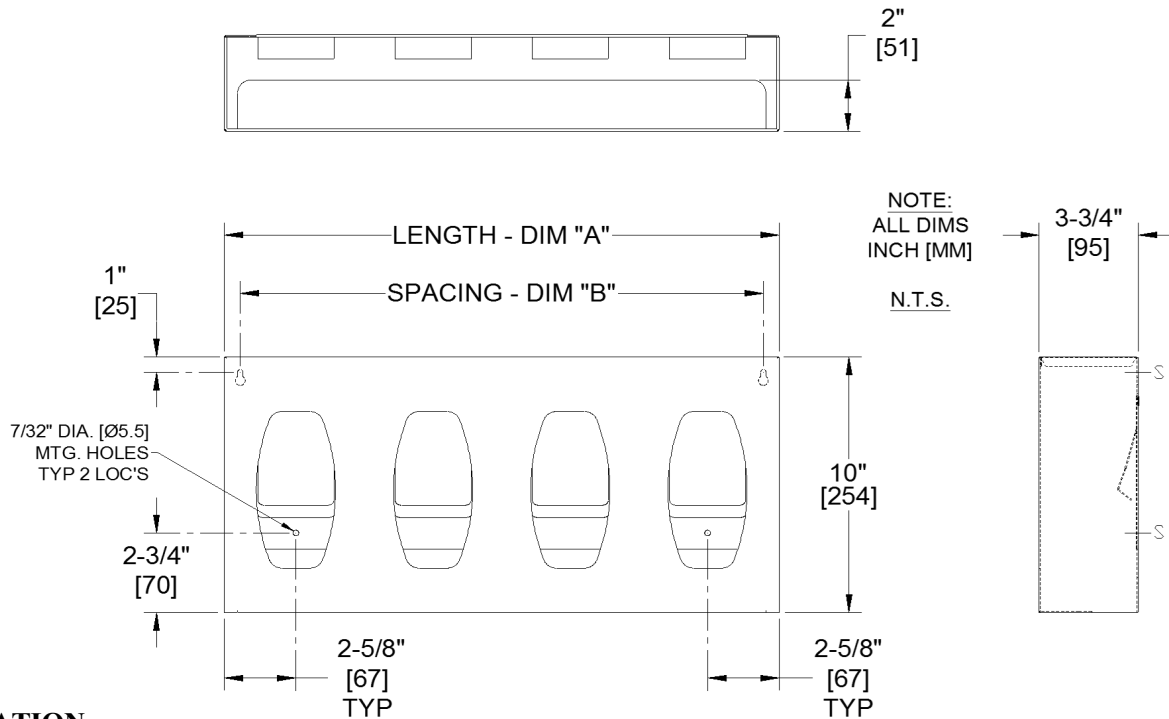
**AMERICAN SPECIALTIES, INC.**  
 441 Saw Mill River Road, Yonkers, NY 10701  
 (914) 476.9000 • (914) 476.0688  
 www.americanspecialties.com

**MODEL №: 0501 SERIES**

**ISSUED: 06/2017**

**REVISED:**

**SURFACE MOUNTED SURGICAL GLOVE DISPENSER (PAGE 1 OF 2)**



**SPECIFICATION**

Surface Mounted Surgical Glove Dispenser shall hold and dispense surgical gloves from one (1) to four (4) standard surgical glove boxes based on model suffix specified. Box body and back shall be fabricated of 20 gauge stainless steel type 304 alloy 18-8 with a satin finish on exposed surfaces and shall be protected during shipment with a PVC film easily removable after installation. Box body shall have fully hemmed-in rolled edges. Dispensing opening shall have a fully deburred edge for snag-free dispensing and user safety.

Surface Mounted Surgical Glove Dispenser shall be Model № 0501-\_\_\_{specify model suffix from schedule) as fabricated by American Specialties, Inc. 441 Saw Mill River Road Yonkers, New York 10701-4913

SCHEDULE					
Model Suffix	"A" Length	"B" Keyhole Spacing	Glove Box Capacity	Number of Keyholes	Number of Mtg. Holes
-1	5-1/4" [133]	4" [102]	1 Box	2	1
-2	10-1/2" [267]	9-1/4" [235]	2 Boxes	2	2
-3	15-3/4" [400]	14-1/2" [368]	3 Boxes	2	2
-4	21" [533]	19-3/4" [502]	4 Boxes	2	2

**INSTALLATION**

Dispenser is surface mounted on wall or partition. Hang dispenser on two (2) pre-installed № 10 self-threading screws (by others) using keyhole openings provided. When dispenser is positioned, lock in place using one (1) № 10 self-threading screw (by others) for model № 0501-1 or two (2) № 10 self-threading screws (by others) for all other models through bottom holes provided into appropriate anchors (by others). Recommended mounting height is between 48" and 60" [1219 and 1524] above finished floor (AFF) from top of dispenser. For compliance with 2010 ADA Accessibility Standards, install unit so that dispenser slot is 48" [1219] maximum AFF if clear floor reach access is provided or 46" [1168] maximum AFF if side reach over an obstruction is only provided (e.g. vanity).

**OPERATION**

Surgical Gloves are self-feeding until supply is depleted. Units fit most standard glove boxes sized up to 5" W x 10" H x 3-3/4" D [127 x 254 x 95].



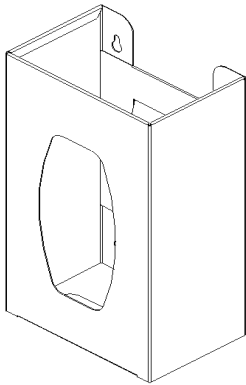
**AMERICAN SPECIALTIES, INC.**  
441 Saw Mill River Road, Yonkers, NY 10701  
(914) 476.9000 • (914) 476.0688  
www.americanspecialties.com

**MODEL №:** 0501 SERIES

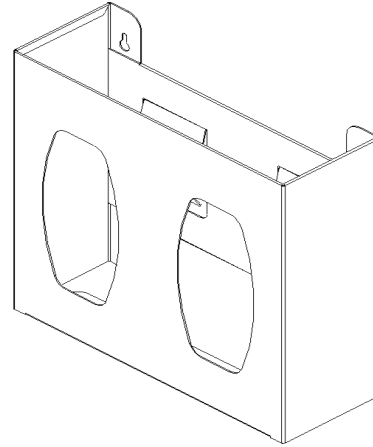
**ISSUED:** 05/2017

**REVISED:**

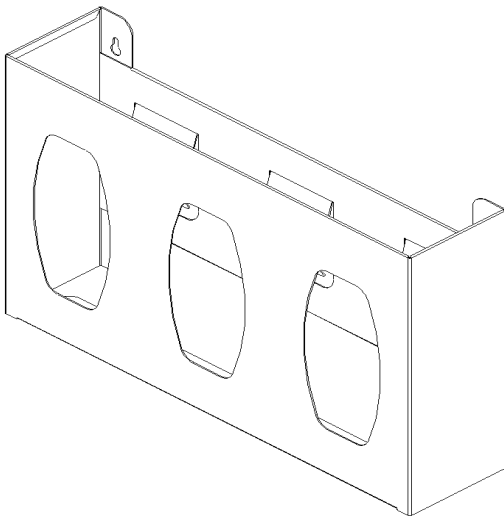
**SURFACE MOUNTED SURGICAL GLOVE DISPENSER (PAGE 2 OF 2)**



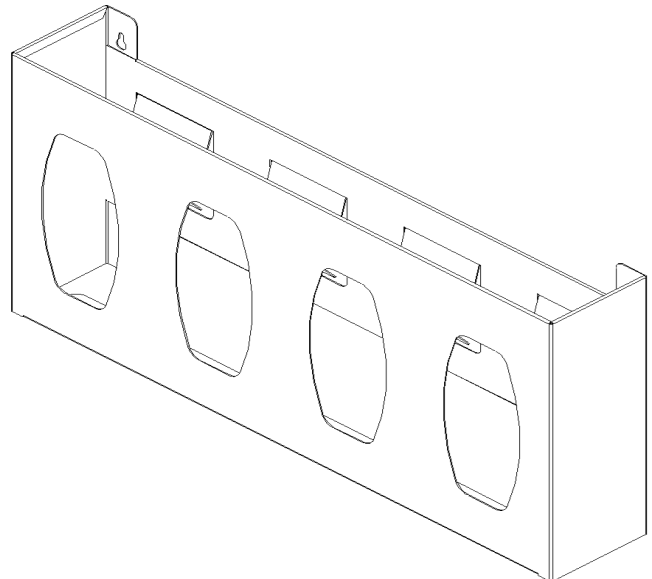
**Model 0501-1**



**Model 0501-2**



**Model 0501-3**



**Model 0501-4**