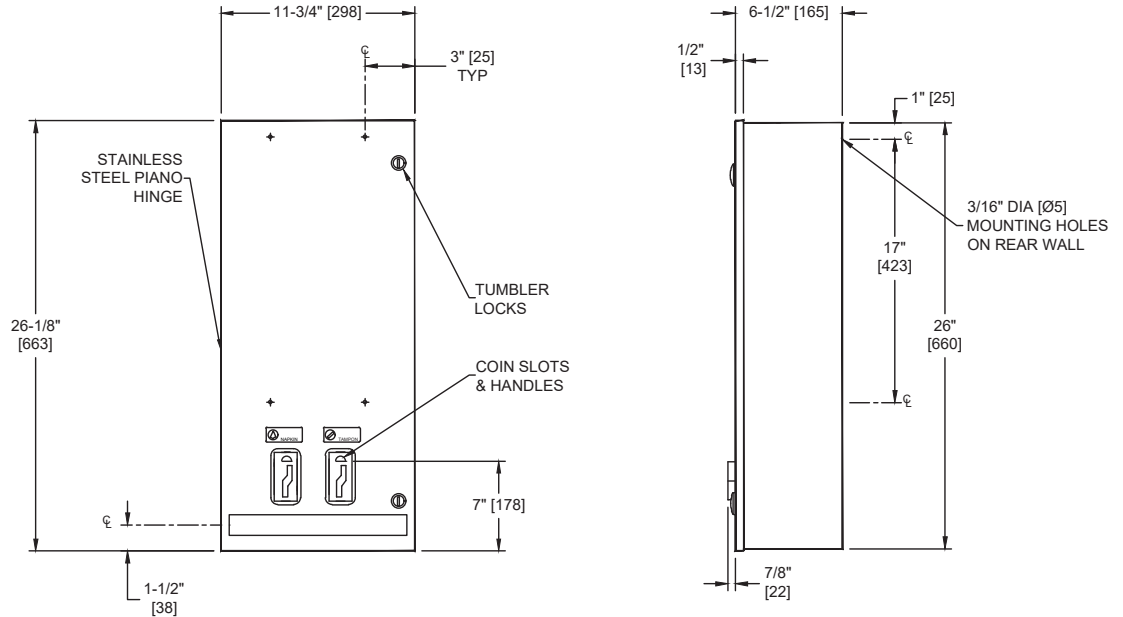


(30) Napkin/ (27) Tampon Vendor – Surface Mounted – 25¢ - 50¢ or Free Operation

Feminine Hygiene Vendors and Disposals

MasterFormat Section 10 28 13



Scan for Information



SUSTAINABILITY/LEED

MR 4.1 (1) MR 6 (1) EQ 4.2 (1)
MR 4.2 (1) EQ 4.1 (1) EQ 4.4 (1)

NOTE:
ALL DIM'S INCH [MM]
ILLUSTRATION FOR REF ONLY AND NTS
FOR CLEANING INSTRUCTIONS SEE APPROPRIATE SECTIONS IN
PRODUCT CARE & MAINTENANCE BULLETIN (PCM) ON ASI WEBSITE

PRODUCT OVERVIEW

Surface mounted dispenser includes two dispensing mechanisms, one for 27 tampons, the other for 30 feminine napkins. Universal coin mechanism allows for 25¢, 50¢ and free (no coin) operation. Choose appropriate suffix (-25, -50 or -F). Door shall be 18 gauge type 304 stainless steel alloy 18-8. Cabinet shall be 22 gauge same grade stainless steel. Door shall be attached with a full length 3/16" diameter (Ø4.8) stainless steel multi-staked piano hinge and shall be held closed with two (2) tumbler locks keyed alike to other ASI washroom equipment.

KEY FEATURES & SPECIFICATIONS

- Dual Vendor
 - 25¢ - 50¢ or Free Operation
 - Type 304 Stainless Steel - Satin Finish
 - Surface Mounted
 - 30 Napkins AND 27 Tampons
- 0864-25 – allows for 25¢ operation
 - 0864-50 – allows for 50¢ operation
 - 0864-F – allows Free (no coin) operation

OPERATION & MAINTENANCE

Deposit of specified coin allows operation of dispenser. Napkin and tampon dispensers operate independently. Selected product drops into vending opening after operator actuation. Indicator displays empty condition and blocks coin slot when vend product is depleted. Unit vend product supply is replenished on cycle determined by maintenance needs by opening door and manually reloading product into dispenser supply tracks. Empty indicator automatically resets upon refill. Track weights **MUST BE USED** to provide positive feed. Coins are retrieved from cash drawer opened using different key than is used to open door for service.

TECHNICAL INFORMATION / PRODUCT PROPERTIES

Property	Value
Dimensions	11-3/4" [298] x 26-1/8" [663] x 6-1/2" [165]
Construction	Type 304 Stainless Steel - Satin Finish
Mounting	Surface Mounted
Capacity	<p>NAPKINS, SINGLES, CARDBOARD-BOXED, SEMIGLOSS FINISH CAPACITY 30 BOX SIZE 4-1/4" [108] x 3" [76] x 1-1/8" [29]</p> <ul style="list-style-type: none"> <input type="checkbox"/> Stayfree# 4 <input type="checkbox"/> Guards# 247, or 147 <input type="checkbox"/> Kotex# 704, 707, 07010, 07040, 07045, 07300, 07320 <input type="checkbox"/> Pure-Nat# M-4 <input type="checkbox"/> Modess# 4 <p>TAMPONS, CYLINDER, CARDBOARD, SEMIGLOSS, CRIMPED ENDS CAPACITY 27 TUBE SIZE 3/4" diameter [Ø19] x 5-1/4" [134]</p> <ul style="list-style-type: none"> <input type="checkbox"/> Tampax <input type="checkbox"/> ModessTampons

INSTALLATION

Mount unit on wall using four (4) #10 self-threading screws (by others) through concealed holes provided in cabinet rear wall. For maximum usability and compliance with 2010 ADA Accessibility Standards, install unit so that coin slot is between 48" [1219] maximum Above Finished Floor (AFF) and 38" [965] minimum AFF. Note that coin slot is 7" [178] above bottom of cabinet. Installer must provide adequate wall anchoring for screw mounting.

WARRANTY

One (1) Year from date of Invoice