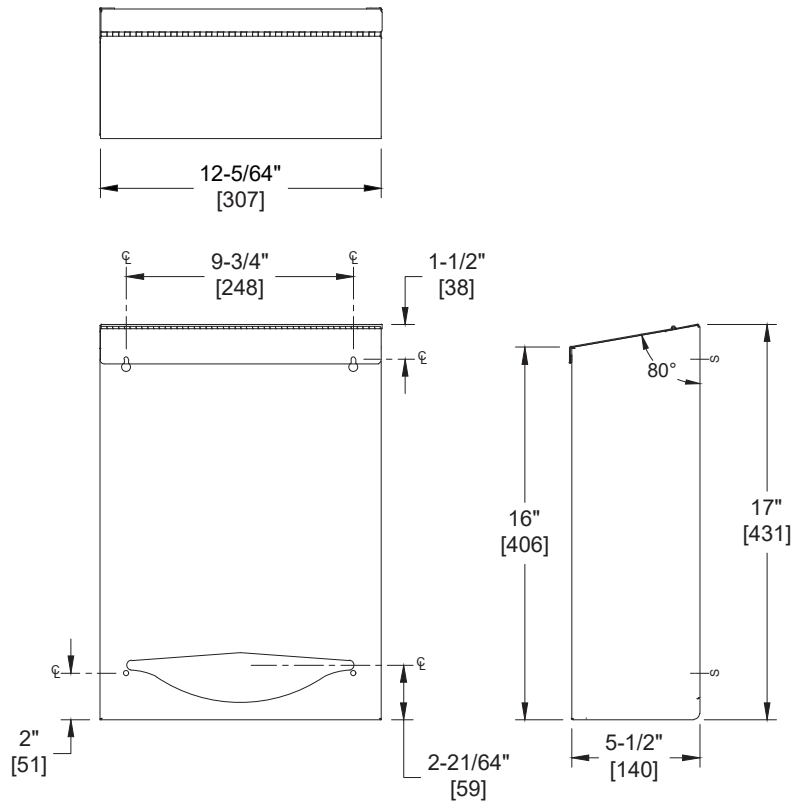
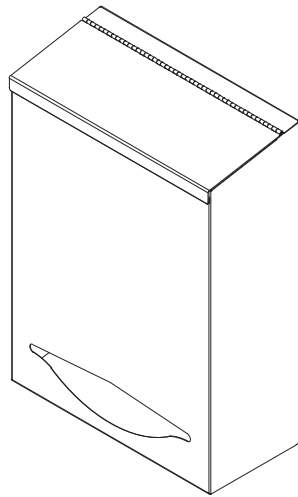


Surface Mounted Bulk Dispenser - Large

Healthcare Accessories

MasterFormat Section 10 28 13



NOTE:
ALL DIM'S INCH [MM]
ILLUSTRATION FOR REF ONLY AND NTS



SUSTAINABILITY/LEED

MR 4.1 (1) MR 6 (1) EQ 4.2 (1)
MR 4.2 (1) EQ 4.1 (1) EQ 4.4 (1)

PRODUCT OVERVIEW

Holds various personal protection equipment (e.g. gloves, caps, shoe covers; by others) in bulk. All exposed surfaces have a satin finish. Dispensing slot includes a fully hemmed-in rolled edge for snag-free dispensing and user safety. Personal protection products are self-feeding until supply is depleted.

KEY FEATURES & SPECIFICATIONS

- Great for high use environments
- Holds various personal protection equipment (PPE) like gloves, caps, or shoe covers (by others) in bulk
- Dispenser cover fabricated of 18 gauge Type 304 Stainless Steel, Alloy 18-8 - Satin Finish
- Box body 22 gauge
- Box back 20 gauge
- Surface Mounted
- Large capacity - Bulk Dispenser

OPERATION & MAINTENANCE

Personal protection products are self-feeding until supply is depleted.

TECHNICAL INFORMATION / PRODUCT PROPERTIES

Property	Value
Dimensions	12-5/64" [307] W x 17" [431] H x 5-1/2" [140] D
Construction	Type 304 Stainless Steel - Satin Finish
Mounting	Surface Mounted
Capacity	Large capacity - Bulk Dispenser

INSTALLATION

Dispenser is surface mounted on wall or partition. Hang dispenser on two (2) pre-installed #10 self-threading screws (by others) using keyhole openings provided. When dispenser is positioned, lock in place using two (2) #10 self-threading screws (by others) through bottom holes provided into appropriate anchors (by others). Recommended mounting height is between 65" [1651] and 80" [2032] Above Finished Floor (AFF) from top of dispenser. For compliance with 2010 ADA Accessibility Standards, install unit so that dispenser slot is 48" [1219] maximum Above Finished Floor (AFF).

WARRANTY

One (1) Year from date of Invoice