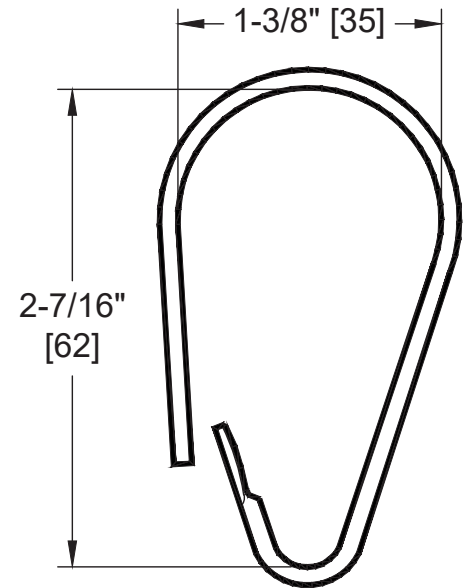
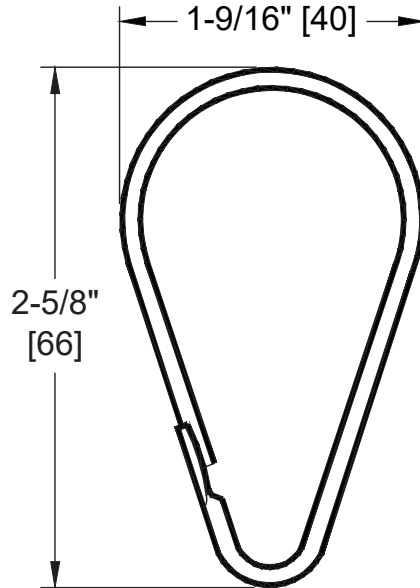


**Shower Curtain Hook – Stainless Steel**

Shower/Tub Accessories

MasterFormat Section 10 28 13



Scan for Information



**SUSTAINABILITY/LEED**

MR 4.1 (1) MR 6 (1) EQ 4.2 (1)  
MR 4.2 (1) EQ 4.1 (1) EQ 4.4 (1)

**NOTE:**  
ALL DIM'S INCH [MM]  
ILLUSTRATION FOR REF ONLY AND NTS

**PRODUCT OVERVIEW**

Solid formed wire is .098" diameter [Ø2,5] with a bright finish. Hook has a formed retainer to hold free end closed and accommodates 1" Dia. [Ø25] to 1-1/4" Dia. [Ø32] curtain rods. Grasping hook in both hands, use the thumb of one hand to push the hanger hook in and to one side. Release thumb pressure allowing top hook to bypass and extend over the bottom hook. Slip the hook over the shower curtain rod (specified separately). After hanging shower curtain (specified separately) use thumb pressure to replace the free leg of the hook onto the bottom hook leg-retainer.

**KEY FEATURES & SPECIFICATIONS**

- Type 304 Stainless Steel - Satin Finish

**OPERATION & MAINTENANCE**

Grasping hook in both hands, use the thumb of one hand to push the hanger hook in and to one side. Release thumb pressure allowing top hook to bypass and extend over the bottom hook. Slip the hook over the shower curtain rod (specified separately). After hanging shower curtain (specified separately) use thumb pressure to replace the free leg of the hook onto the bottom hook leg-retainer.

**TECHNICAL INFORMATION / PRODUCT PROPERTIES**

Property	Value
Dimensions	1-9/16" [40] x 2-5/8" [67]
Construction	Type 304 Stainless Steel - Satin Finish
Mounting	Surface Mounted
Materials	098" diameter [Ø2.5] type 304 stainless steel alloy 18-8 with a bright finish.

**INSTALLATION**

Open hook and slip over shower curtain rod (specified separately). Hang shower curtain (specified separately) on small hook. Close hook free end into retainer on hook end.

**ADDITIONAL INFORMATION**
**WARRANTY**

One (1) Year from date of Invoice