

TURBO-TUFF™ Recess mounted HIGH SPEED Hand Dryer – ADA COMPLIANT

Hand Dryers

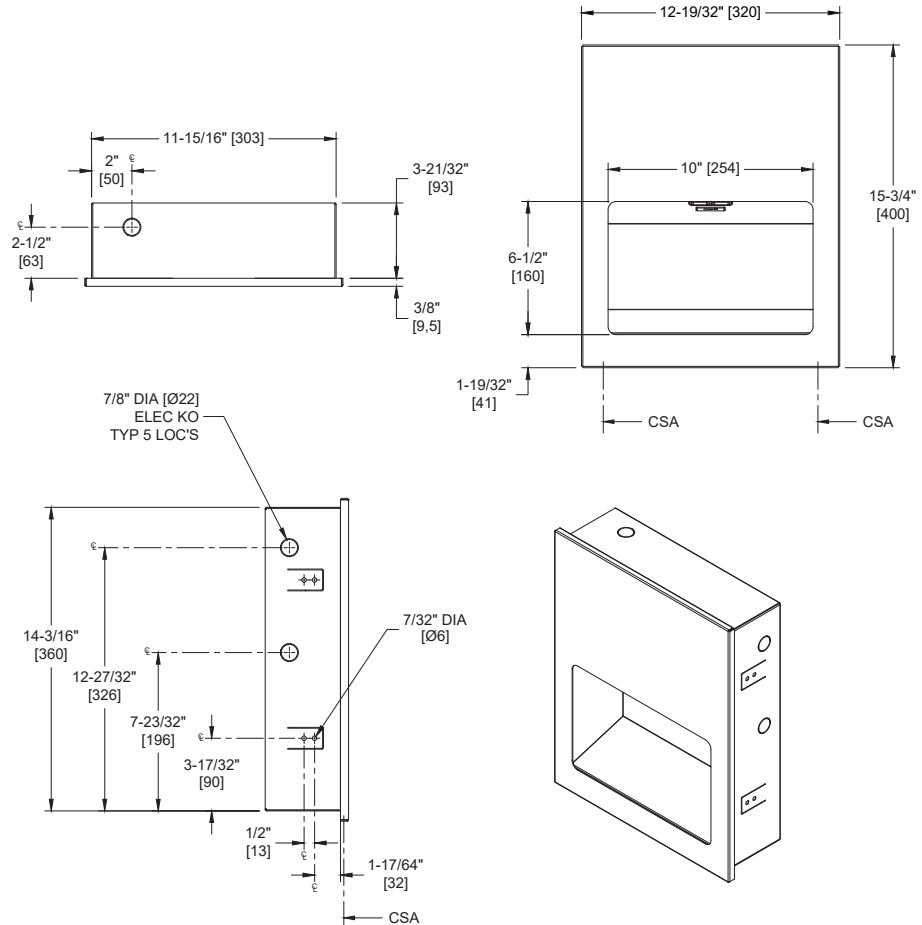
Simplicity™

MasterFormat Section 10 28 13



SUSTAINABILITY/LEED

MR 4.1 (1) EQ 4.1 (1) EAp2 (0) EA
MR 4.2 (1) EQ 4.2 (1) 1 (1-19)
MR 6 (1) EQ 4.4 (1)



NOTE:
ALL DIM'S INCH [MM]
ILLUSTRATION FOR REF ONLY AND NTS
FOR CLEANING INSTRUCTIONS SEE APPROPRIATE SECTIONS IN
PRODUCT CARE & MAINTENANCE BULLETIN (PCM) ON ASI WEBSITE
CSA = CONCEALED SCREW AXIS

PRODUCT OVERVIEW

Fast drying, less than 15 seconds, operates automatically using infrared sensor with auto-resetting thermostat. Owner-adjustable air speed & temperature and on/off heating options. Dryer automatically shuts off after time-out when user removes hands from sensor zone. Type 304 satin finish stainless steel cover. Optional voltages available from 110 to 277VAC. Cover and hand drying chamber shall be 18 gauge. Cabinet shall be 20 gauge galvanized steel

KEY FEATURES & SPECIFICATIONS

- High Speed <15 Sec. DryTime - ADA Compliant
- 68.9 dB-A (Min) / 74.3 dB-A (Max)
- Heavy Duty - 18 Gauge Face - Type 304 Stainless Steel - Satin Finish
- Fully Recessed - "Touch Free" Operation
- Automatic - AC - Choice 110-120V / 208/-240V / 277V - "No Touch"
- Owner Adjustable Air Speed AND Heat (with On-Off switch)
- Approved Under the re-examination services of Underwriters Laboratories, Inc.

OPERATION & MAINTENANCE

Automatic "No-Touch" with Owner Adjustable Air Speed and Heat (with On-Off switch)
 User activates dryer by placing hands into chamber under sensor. LED in sensor array shines blue light during operation to guide user to optimal hand placement for shorter drying time. Dryer automatically shuts off after time-out or when user removes hands from sensor zone. Hand drying chamber should be cleaned (see PCM) as per schedule determined by maintenance needs to maintain aesthetic appearance and hygienic conditions.

TECHNICAL INFORMATION / PRODUCT PROPERTIES

Property	Value							
Dimensions	12-19/32" W x 15-3/4" H x 4-1/32" [320 x 400 x 102]							
Construction	Type 304 Stainless Steel - Satin Finish Heavy Duty 18 Gauge Face							
Mounting	Recessed in RWO: 12-5/16" [313] W x 15-3/16" [386] H x 3-7/8" [98] D							
Electrical	Choice of 110-120V / 208/-240V / 277V AC							
Motor	HP	RPM (x1000)	Fan Type	Airflow	Heating Element	Air Output Temperature	Sound Pressure	Drying Time
Brush Type Dual Ball Bearings	0.67	16-29 (ADJ)	Multi-Inlet Centrifugal	42-60 CFM (71-102 m3/h)	Nichrome wire with auto reset circuit breaker	131 F ± 5 @ 77 F (55 C ± 2.8 @ 25C) Ambient room temperature	68.9-74.3 dB-A @ 2M	Less Than 15 Seconds

INSTALLATION

Mount unit cabinet in wall recess with four (4) # 10 [M5] screws (not supplied) into suitably prepared mountings (by others) or other suitable mounting hardware (by others) to suit wall conditions. For masonry walls, use expansion bolts or anchors for 1/4" [M6] screws. See unit diagram for electrical service cable rough-in location. Electric service of 100-277VAC 20A 50/60 Hz (provided by others) is brought to Rough Wall Opening (RWO) at location for dryer indicated on diagram above and is hooked up (by others) in accordance with schematic and OM provided with unit. Electrical service is supplied and connected (by others) prior to installing cover. Cover is secured to cabinet with two (2) hex socket captive truss flange head screws (supplied). For compliance with ICC/ANSI A-117.1 and 2010 ADA Accessibility Standards, install unit with top of dryer hand chamber 48" [1219] maximum Above Finished Floor (AFF) if clear floor forward or side reach access is provided or 46" [1168] max AFF if side reach access over an obstruction (e.g. vanity) with reach depth greater than 10" [254] and less than 25" [635] is only provided or 44" [1118] max AFF if forward reach over an obstruction (e.g. commode) with reach depth greater than 20" [508] and less than 25" [635] is only provided. For general utility, install unit so that top of dryer hand chamber is 44" [1118] to 50" [1270] AFF. Note that top of RWO is 9/32" [7] below top of unit. For installation of two or more dryers, dryers should be no closer than 24" [610] on center. See OM and Template MT & IG supplied with unit.

RWO required: 12-5/16" [313] W x 15-3/16" [386] H x 3-7/8" [98] D Min

OPTIONS

Voltage
 0135-1: 110-120 VAC - 50/60 Hz - 10.4 A (Max.) - 1000W
 0135-2: 208-240 VAC - 50/60 Hz - 5.2 A (Max.) - 1000W
 0135-3: 277 VAC - 60 Hz - 5.2 A (Max.) - 1000W

WARRANTY

Five (5) Years from date of Invoice