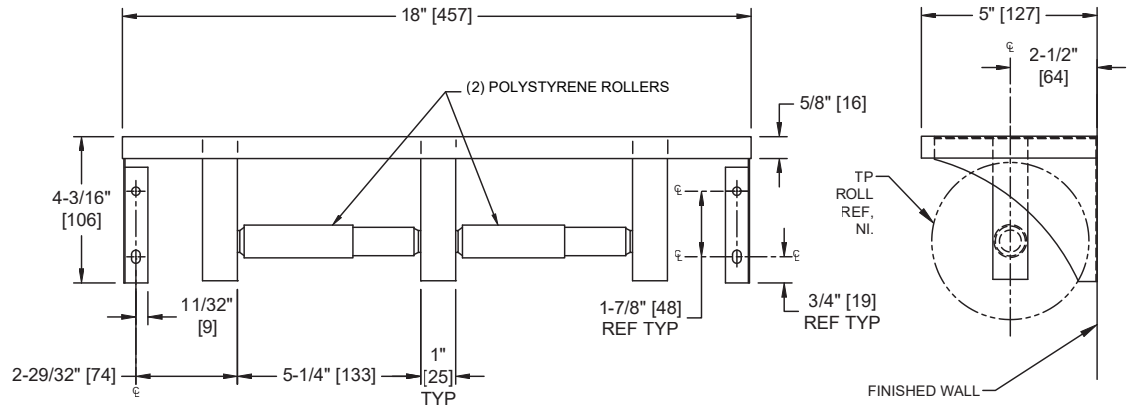


Shelves, Toilet Tissue Holder (Double) – Surface Mounted

Toilet Tissue Dispensers

MasterFormat Section 10 28 13



Scan for Information



SUSTAINABILITY/LEED

MR 4.1 (1) MR 6 (1) EQ 4.2 (1)
MR 4.2 (1) EQ 4.1 (1) EQ 4.4 (1)

NOTE:
ALL DIM'S INCH [MM]
ILLUSTRATION FOR REF ONLY AND NTS

PRODUCT OVERVIEW

Holds two (2) 5" diameter [Ø127] rolls of 1500 sheets or standard toilet paper rolls and includes a 5" [127] x 18" [457] stainless steel shelf with 5/8" [16] hemmed lip on front edge. Rollers molded of high impact-resistant polystyrene plastic and two (2) are supplied. Toilet paper rolls are self-feeding on user-pull demand until supply is depleted. Rollers are spring loaded and are free-rolling.

KEY FEATURES & SPECIFICATIONS

- Double Roll Dispenser
- Type 304 Stainless Steel - Satin Finish
- Surface Mounted
- Comes With a Shelf
- All metal parts are 18 gauge

OPERATION & MAINTENANCE

Toilet paper rolls are self-feeding on user-pull demand until supply is depleted. Rollers are spring loaded for retention and provide free delivery.

TECHNICAL INFORMATION / PRODUCT PROPERTIES

Property	Value
Dimensions	18" [457] W x 4-13/16" [106] H x 5 [127] D
Construction	Type 304 Stainless Steel - Satin Finish
Mounting	Surface Mounted
Capacity	Holds two (2) rolls of standard core roll toilet paper up to 5" Dia. [Ø127]

INSTALLATION

Unit is surface mounted on wall or partition using #10 self-threading screws (by others) through holes provided in support brackets. For compliance with 2010 ADA accessibility Standards and 2015 ABA Standards, install unit so that centerline of nearest roll holder is 7" [178] min to 9" max [229] from front of toilet and axis of rolls is 15" [381] min AFF (Above Finished Floor) to 23" [584] max AFF. Recommended mounting height for general utility is 32" [813] to 36" [914] AFF.

OPTIONS
WARRANTY

One (1) Year from date of Invoice