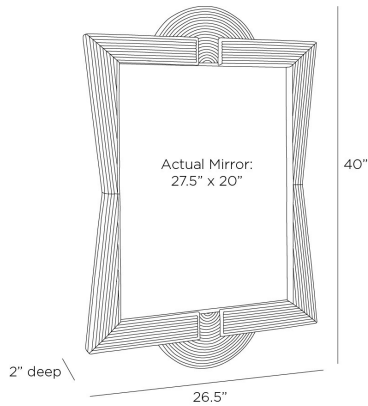


ARTERIOS

CYPRESS MIRROR



WMS03
H: 40 IN, W: 26.5 IN, D: 2 IN
Natural
Contract Suitable As Is

Wrapped in natural rattan, this geometric style brings an organic texture to any room. Inspired by the modern forms found in mid-century architecture, the decorative frame surrounds a simple rectangular mirror. Designed to be hung vertically or horizontally, it is secured with a hanging cleat at the back. Rattan will vary.

APPEARANCE

Material	Mirror, Rattan
Finish	Plain
Finish Will Vary	true
Top Coat/Sealant	false

DIMENSIONS

Mirror Size	H: 27.5 IN, W: 20 IN
-------------	----------------------

SHIPPING

Shipping Requirements	TruckShip
Product Weight	25.2 LBS
Gross Weight 1	36 LBS
Shipping Box 1	H: 44.5 IN, L: 34.75 IN, W: 5.25 IN

ADDITIONAL INFO

Hanger Position	Vertical & Horizontal
Hanger Type	Security Cleat
Hanger Size	18"

CONTRACT

Contract Suitable	true
-------------------	------