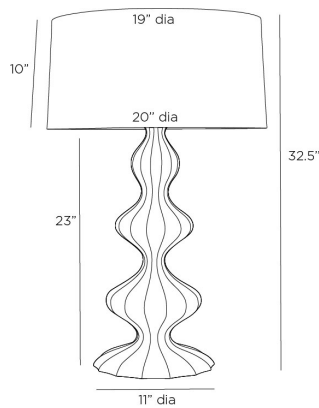


# ARTERIOS

## CHELLE LAMP



PTE09-764  
 H: 32.5 IN, Dia: 20.00 IN  
 Ice Reactive, Porcelain  
 Contract Suitable As Is

Like flowing waves, the lines of our porcelain squiggle lamp are enhanced by an ice reactive glaze that mimics water rushing down. Mutable shades accent each refined ridge at its pinch point. This porcelain essential is topped with antique brass hardware and an oval shade of ivory microfiber. Finish will vary.

### APPEARANCE

Material	Microfiber, Porcelain, Steel
Finish	Antique Brass, Ivory, White
Finish Will Vary	true
Top Coat/Sealant	false
Finial Description	Brass to match
Finial Dimension	1" Dia

### DIMENSIONS

Shade	Top: 19.00 IN, Dia: 20.00 IN, Side: 10 IN
Body	H: 23 IN, Dia: 11.00 IN
Foot Print	Dia: 11.00 IN
Harp	8.5 IN

### WIRING

Rating	Indoor Only
Tilt Test	10 Degrees - AU
Cord	8 FT, Back of Lamp Base, Clear/Silver
Socket	1, Antique Brass, Type A - E26
Switch	3-Way Rotary, At Socket
Maximum Watt	150
Voltage	110-120 V

### COMPLIANCY

RoHS	false
------	-------

### SHIPPING

Product Weight	8.6 LBS
Gross Weight 1	12 LBS
Gross Weight 2	5 LBS
Shipping Box 1	H: 25 IN, L: 13 IN, W: 13 IN
Shipping Box 2	H: 14.2 IN, L: 21.3 IN, W: 21.3 IN

### ADDITIONAL INFO

Shade Shape	Round
Shade Trim	Rolled Edges
Shade Type	Hardback

### CONTRACT

Contract Suitable	true
-------------------	------