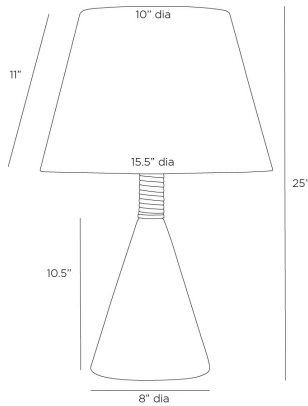


ARTERIOS

EVERLY LAMP



PTC38-SH039
H: 25 IN, Dia: 15.50 IN
White, Marble
Contract Suitable As Is

The simple form of the Everly brings the allure of its materials into sharper focus. A conical white marble base is wrapped at the top in graphite leather, then adorned with a traditional drum shade of ivory microfiber. Heritage brass hardware and finial, and taupe cloth cord. Finish will vary.

APPEARANCE

Material	Leather, Marble, Microfiber, Steel
Finish	Graphite, Heritage Brass, Ivory
Finish Will Vary	true
Top Coat/Sealant	false
Finial Description	Heritage brass cylinder to match
Finial Dimension	1"H x 1"Dia

DIMENSIONS

Shade	Top: 10.00 IN, Dia: 15.50 IN, Side: 11 IN
Body	H: 10.5 IN, Dia: 8.00 IN
Neck	H: 4.5 IN, Dia: 2.00 IN
Foot Print	Dia: 8.00 IN
Harp	9.5 IN

WIRING

Rating	Indoor Only
Tilt Test	10 Degrees - AU
Cord	8 FT, Back of Lamp Base, SPT-2, Taupe Fabric
Socket	1, Bronze, Type A - E26
Switch	3-Way Rotary, At Socket
Maximum Watt	150
Voltage	110-120 V

COMPLIANCY

RoHS	true
------	------

SHIPPING

Product Weight	23.5 LBS
Gross Weight 1	25 LBS
Gross Weight 2	5 LBS
Shipping Box 1	H: 21.9 IN, L: 12.9 IN, W: 12.9 IN
Shipping Box 2	H: 33.86 IN, L: 16.93 IN, W: 16.93 IN

ADDITIONAL INFO

Shade Shape	Round
Shade Trim	Rolled Edges
Shade Type	Hardback

REPLACEMENT PARTS

Replacement Part 1	PTC38FIN
Replacement Part 1 Dim	1"H x 1"Dia

CONTRACT

Contract Suitable	true
-------------------	------