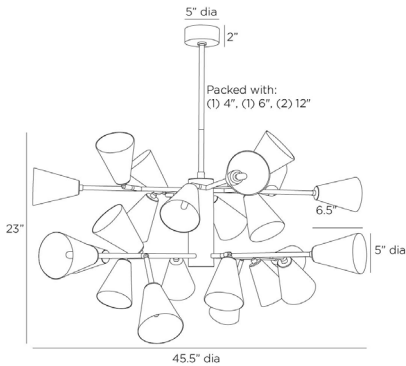


ARTERIOS

DELAWARE CHANDELIER



DLC24

H: 29 IN, Dia: 45.50 IN

English Bronze

Contract Suitable As Is

This mid-century inspired design projects light via bullhorn-shaped shades. A fresh twist on one of our most popular designs, a linear armature of chattered English bronze steel holds 24 matte opal glass shades constructed with an etching technique for a flattering, cloudlike effect. Articulated and adjustable from every angle, this branched style can deliver illumination in any direction you choose.

APPEARANCE

Material	Glass, Steel
Material Type	Chattered, Etched
Finish	Matte Opal
Top Coat/Sealant	true

DIMENSIONS

	5.00
Chandelier	H: 23 IN, Dia: 45.50 IN
Minimum Hanging Height	29 IN
Maximum Hanging Height	59 IN
Canopy	H: 2 IN, Dia: 5.00 IN

WIRING

Rating	Damp
Suggested Bulb Type	T6
Cord	10 FT, Clear/Silver, SVT
Socket	24, Type B - E12
Photographed Bulb	Small Clear Tubular Bulb
Maximum Watt	40
Voltage	110-120 V

COMPLIANCY

RoHS	true
------	------

SHIPPING

Shipping Requirements	TruckShip
Product Weight	38.7 LBS
Gross Weight 1	53 LBS
Shipping Box 1	H: 16.73 IN, L: 44.68 IN, W: 40.35 IN

REPLACEMENT PARTS

Replacement Part 1	PIPE-512
Replacement Part 1 Dim	(1) 4", (1) 6", (1) 12"
Replacement Part 2	CANOPY-712
Replacement Part 2 Dim	2" x 5"

CONTRACT

Contract Suitable	true
-------------------	------