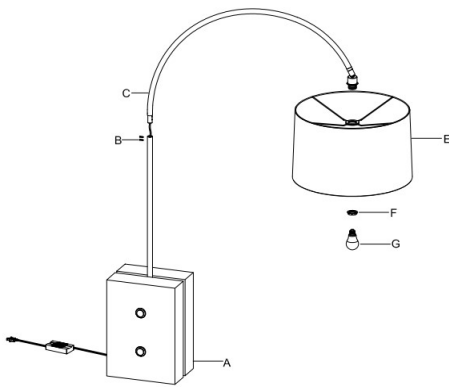


# ASSEMBLY INSTRUCTIONS

## ITEM DESCRIPTION:

ITEM NO.: PFC13	NAME: BALI FLOOR LAMP BASE
MATERIAL TYPE: METAL/WOOD	FINISH: ANTIQUE BRASS, WALNUT WOOD
SOCKET TYPE: E26	SOCKET QTY: 1PC
BULB WATTAGE: 150W TYPE A	
VOLTAGE: 120V	ITEM NET WEIGHT: 43.8 LBS



## PARTS INCLUDED:

Wood base ( A )	Qty: 1
Screw ( B )	Qty: 1
Steel pipe ( C )	Qty: 1
Shade ( E )	Qty: Not included
Socket ring ( F )	Qty: 1
Bulb(G)	Qty: Not included

## PRE-ASSEMBLY:

- Remove all parts and hardware from box along with any plastic protecting packaging
- Do not discard any contents until after assembly is complete to avoid accidentally discarding small parts or hardware.



## TO ASSEMBLE:

1. Place the lamp base (A) on a flat surface.
2. Secure the steel pipe (C) to the steel pipe of the lamp base(A) by using the provided screw (B).
3. Attach the shade (E) to the socket and tighten the socket ring (F) to secure the shade in place.
4. Insert correct bulb(G) (not included) into the socket.

## CARE INSTRUCTIONS:

- Clean with soft, dry cloth.
- Always avoid the use of harsh chemicals or abrasive cleaners as they may cause damage to the lamp.

## IMPORTANT SAFETY INSTRUCTIONS:

For safety purposes, this lamp is equipped with a polarized plug (one blade is wider than the other) (For North America Customers Only). If the plug does not fit securely into your outlet, do not force it - contact a professional electrician. Use the plug with an extension cord only if it can be fully inserted into the cord's socket. Never alter the plug in any way. This instruction is provided for your safety. It is important that it is read carefully and completely before assembling the fixture. To avoid risk of fire, do not exceed the recommended wattage.

## WARNING:

- To reduce the risk of fire, electrical shock, or personal injury, always turn off and unplug lamp and allow it to cool prior to replacing the bulb.
- Do not touch bulb when fixture is turned on. Do not look directly at lit bulb.
- Keep flammable materials away from lit bulb.

For customer service questions call 1-800-338-2150  
 Arteriors Home: 972-488-9800. Arteriors Contract: 972-488-9800 Ext. 321

ARTERIOS