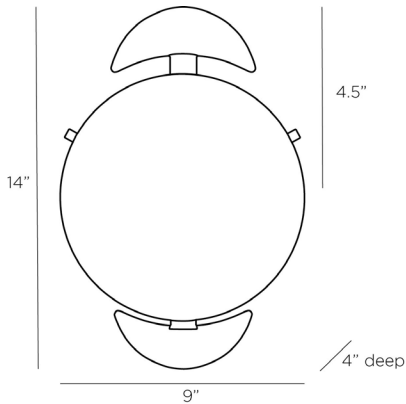


# ARTERIOS

## BOÎTE SCONCE

LAURA KIRAR



GKDWC01  
H: 14 IN, W: 9 IN, D: 4 IN  
Antique Brass, Iron  
Contract Suitable As Is

The Boîte Pendant Chandelier and Boîte Sconce have a historical familiarity - referencing 19th century milk glass fixtures - and yet the proportions are new: pared down to a modern "machine age" antique brass iron structure and obviously elongated matte swirl glass diffusers.

### APPEARANCE

Material	Glass, Iron
Finish	Matte Swirl
Finish Will Vary	true
Top Coat/Sealant	true

### DIMENSIONS

Center Of Mount From Btm	4.5 IN
Backplate	Dia: 6.00 IN, D: 1.5 IN
Mount	Dia: 6.00 IN

### WIRING

	UL,EU,SA
Rating	Damp
LED Color Temp	2700K
LED Compatible Dimmer	TRIAC Dimmer
LED Lumens	1060LM
Cord	8 FT, Black/White
Socket	1, Integrated LED
Maximum Watt	12
Voltage	110-120 V
LED Lifespan	30,000

### CERTIFICATIONS

	Mexico
Certifications	United States, Canada

### COMPLIANCY

UL/ETL	Yes
RoHS	true

### SHIPPING

Product Weight	4.8 LBS
Gross Weight 1	15 LBS

### REPLACEMENT PARTS

Replacement Part 1	GKDWC01GLS
--------------------	------------

### CONTRACT

Contract Suitable	true
-------------------	------