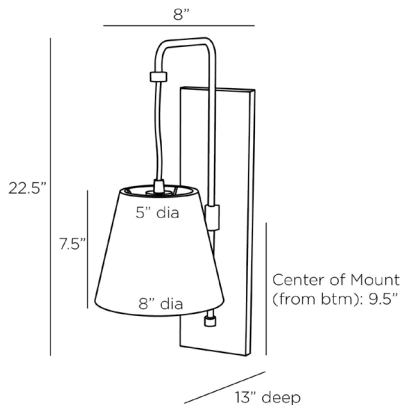


ARTERIOS

BENIN SCONCE



DWC20
H: 22.5 IN, W: 8 IN, D: 13 IN
English Bronze
Contract Suitable As Is

A modern interpretation of a hanging gas lamp, the Benin brings colonial design into a modern era. An elegant drop arm of English bronze iron suspended from a backplate of oyster-finished catalpa wood sets the stage for a drum-shaped iron shade finished in English bronze, suspended from a mauve cloth cord. Damp-rated, although limited covered outdoor conditions may affect finish. Finish will vary.

APPEARANCE

Material	Cotton Cloth, Iron, Wood
Finish	Oyster, Taupe
Finish Will Vary	true
Top Coat/Sealant	true

DIMENSIONS

Center Of Mount From Btm	9.5 IN
Shade	Top: 5.00 IN, Dia: 8.00 IN, Side: 7.5 IN
Backplate	H: 19 IN, W: 5.5 IN, D: 1 IN

WIRING

	UL,EU,SA
Rating	Damp
Cord	0.5 FT, SPT, Taupe Fabric
Socket	1, Type A - E26
Photographed Bulb	2" Clear Globe Bulb
Maximum Watt	60
Voltage	110-120 V

CERTIFICATIONS

	Mexico
Certifications	United States, Canada

COMPLIANCY

UL/ETL	Yes
RoHS	true

SHIPPING

Product Weight	5.2 LBS
Gross Weight 1	7.71 LBS
Shipping Box 1	H: 10.6 IN, L: 24.8 IN, W: 13.6 IN

ADDITIONAL INFO

Hanging Orientation	Horizontal Only
---------------------	-----------------

REPLACEMENT PARTS

Replacement Part 1	DWC20SHD
--------------------	----------

CONTRACT

Contract Suitable	true
-------------------	------