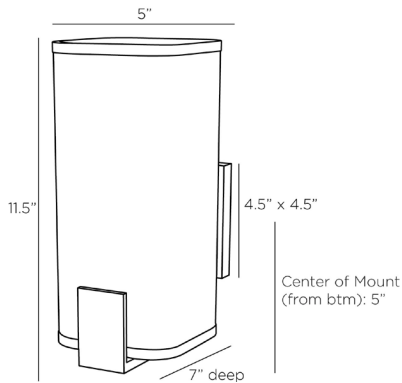


ARTERIOS

BRAXTON SCONCE



DWC03
 H: 11.5 IN, W: 5 IN, D: 7 IN
 White
 Contract Suitable As Is

When a hint of Zen is required, the minimal Braxton fits the bill. Supports of solid steel finished in English bronze clasp a delicate shade of white crinkled paper. Organic in feel, with elegant soft edges. Damp-rated, although limited covered outdoor conditions may affect finish. Finish will vary.

APPEARANCE

Material	Crinkled Paper, Steel
Finish	English Bronze
Finish Will Vary	true
Top Coat/Sealant	false

DIMENSIONS

Center Of Mount From Btm	5 IN
Backplate	H: 4.5 IN, W: 4.5 IN, D: 1 IN

WIRING

Rating	UL,EU,SA
Cord	Damp
Socket	0.5 FT, Black/White, SVT
Photographed Bulb	1, Type A - E26
Maximum Watt	Large Clear Tubular Bulb
Voltage	60
	110-120 V

CERTIFICATIONS

Certifications	Mexico Australia, European Union, United Arab Emirates, United States, Canada
----------------	--

COMPLIANCY

UL/ETL	Yes
CB	Yes
RoHS	true

SHIPPING

Product Weight	3 LBS
Gross Weight 1	5.5 LBS
Shipping Box 1	H: 13.5 IN, L: 8 IN, W: 9.5 IN

ADDITIONAL INFO

Hanging Orientation	Horizontal and Vertical
---------------------	-------------------------

CONTRACT

Contract Suitable	true
-------------------	------