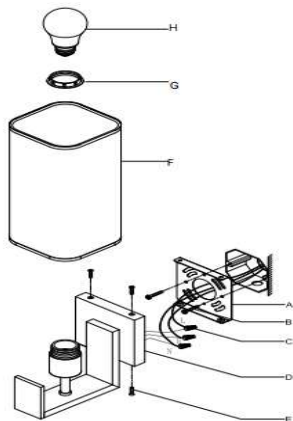


ASSEMBLY INSTRUCTIONS

ITEM DESCRIPTION:

ITEM NO.: DWCO3	NAME: BRAXTON SCONCE
	FINISH: ENGLISH BRONZE/WHITE CRINKLE PAPER SHADE
MATERIAL TYPE: METAL/PAPER	
SOCKET TYPE: E26	SOCKET QTY: 1PC
BULB WATTAGE: 60W TYPE A	
VOLTAGE: 120V	ITEM NET WEIGHT: 3.5LBS



PARTS INCLUDED:

Mounting Plate(A)	Qty: 1
Mounting Screws(B)	Qty: 2
Wire Connector(C)	Qty: 3
Back plate(D)	Qty: 1
Canopy screw(E)	Qty: 4
Shade(F)	Qty: 1
Sokcet ring(G)	Qty: 1
Bulb(H)	Qty: Not included

HARDWARE INCLUDED:

Mounting Screws	Qty: 2
Plastic Wire Connector	Qty: 3

TOOLS NEEDED (Not Included):

1 Screwdriver

These instructions are provided for safety. It is very important that they are read carefully and completely before beginning installation of this chandelier.

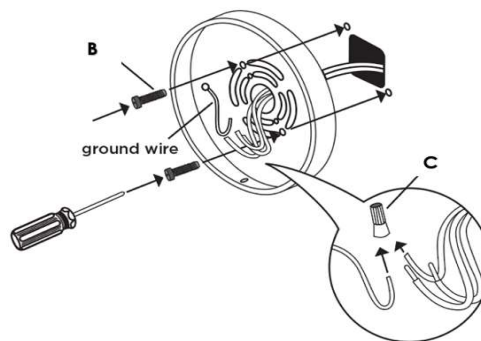
We strongly suggest that all hard-wired fixtures must be installed by a professional electrician.

For customer service questions call 1-800-338-2150
Arteriors Home: 972-488-9800 Arteriors Contract: 972-488-9800 Ext. 321



TO ASSEMBLE:

1. Shut off the main electrical supply from the main fuse box/circuit breaker.
 2. Attach mounting plate(A) to wall or junction box using mounting screw(B).
 3. Connect ground wire from wall to ground wire from lamp using wire caps (C).
 4. Attach house wire to lamp wires as shown. Fasten the pairs together with a wire caps (C).
- DO NOT REVERSE THE HOT AND NEUTRAL CONNECTIONS OR SAFETY WILL BE COMPROMISED.**
5. Attach the back plate (D) to the mounting plate (A) and secure it with the provided four canopy screws (E). Tighten the screws using a screwdriver.
 6. Attach the shade (F) to the socket cup and tighten the socket ring (G) to secure the shade (F).
 7. Insert light bulb(H)(Not included). **DO NOT EXCEED SPECIFIED MAX WATTAGE.**
 8. Restore power to junction box and test fixture.



CARE INSTRUCTIONS:

Wipe with a soft, dry cloth. To protect finish, avoid the use of chemicals and household cleaners.

ARTERIOURS