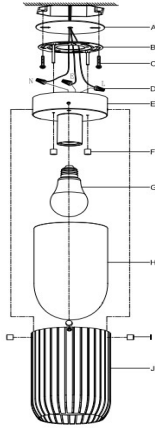


ASSEMBLY INSTRUCTIONS

ITEM DESCRIPTION:

ITEM NO.: DFC03	NAME: YORK FLUSH MOUNT
MATERIAL TYPE: METAL/GLASS	FINISH: ANTIQUE BRASS/ OPAL GLASS
SOCKET TYPE: E26	SOCKET QTY: 1PC
BULB WATTAGE: 60W TYPE A	
VOLTAGE: 120V	ITEM NET WEIGHT: 3.5LBS



PARTS INCLUDED:

Mounting Plate(A)	Qty: 1
Mounting Plate(B)	Qty: 1
Mounting Screws(C)	Qty: 2
Wire Connector(D)	Qty: 3
Canopy(E)	Qty: 1
Finial (F)	Qty: 2
Bulb(G)	Qty: Not included
Glass shade(H)	Qty: 1
Final (I)	Qty: 3
Metal shade(J)	Qty: 1

HARDWARE INCLUDED:

Mounting Screws	Qty: 2
Plastic Wire Connector	Qty: 3

TOOLS NEEDED (Not Included):

1 Screwdriver

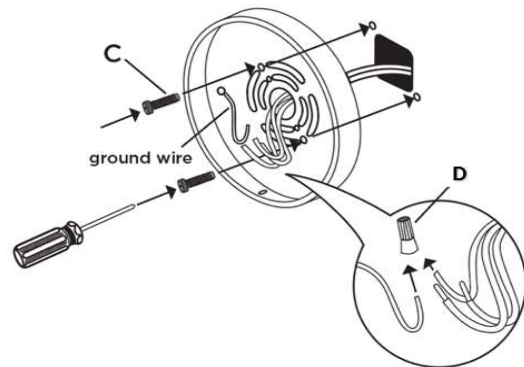
These instructions are provided for safety. It is very important that they are read carefully and completely before beginning installation of this chandelier.

We strongly suggest that all hard-wired fixtures must be installed by a professional electrician.



TO ASSEMBLE:

1. Shut off the main electrical supply from the main fuse box/circuit breaker.
2. Attach mounting plate(A and B) to ceiling or junction box using mounting screw(C).
3. Connect ground wire from wall to ground wire from lamp using wire caps (D).
4. Attach house wire to lamp wires as shown. Fasten the pairs together with a wire caps (D). **NOT REVERSE THE HOT AND NEUTRAL CONNECTIONS OR SAFETY WILL BE COMPROMISED.**
5. Attach the canopy (E) to the mounting plate (B) and secure it with the two provided finials (F).
6. Insert light bulb(G)(Not included). **DO NOT EXCEED SPECIFIED MAX WATTAGE.**
7. Attach the glass shade (H) and metal shade (J) to the canopy (E) and secure them with the 3 provided finials (I).
8. Restore power to junction box and test fixture.



CARE INSTRUCTIONS:

Wipe with a soft, dry cloth. To protect finish, avoid the use of chemicals and household cleaners.

For customer service questions call 1-800-338-2150
Arteriors Home: 972-488-9800 Arteriors Contract: 972-488-9800 Ext. 321

ARTERIOS