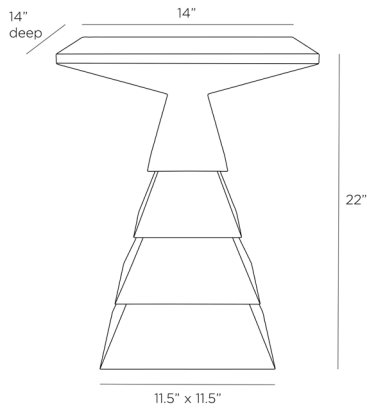


# ARTERIOS

## WANETTA ACCENT TABLE



FAI02

H: 22 IN, W: 14 IN, D: 14 IN

Ebony

Contract Recommendations: Adding a lacquer coating provides additional protection

Inspired by Mesopotamian ziggurats, the Wanetta accent table is striking in its geometric form and contrasting materials. Rendered in stepped, pyramidal shapes, the side table is created in ebony mango wood, and features a square top clad in antique brass, etched in a radial pattern. Finish will vary.

### APPEARANCE

Material	Brass, Wood
Material Type	Clad, Mango
Finish	Ebony
Finish Will Vary	true
Top Coat/Sealant	false

### DIMENSIONS

Foot Print	W: 11.5 IN, D: 11.5 IN
Clearance	
Diagonal Dimension	IN

### SHIPPING

Product Weight	14 LBS
Gross Weight 1	17.8 LBS
Shipping Box 1	H: 16.5 IN, L: 16.5 IN, W: 25 IN

### ADDITIONAL INFO

Features	Sustainable
----------	-------------

### CONTRACT

Contract Suitable	Adding a lacquer coating provides additional protection
-------------------	---