

ARTERIORES

ASSEMBLY INSTRUCTIONS



ITEM NO: WMI03

Description: Princeton Mirror

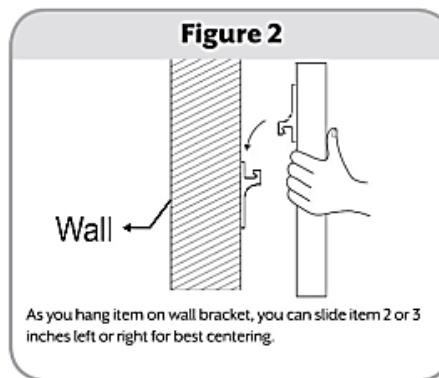
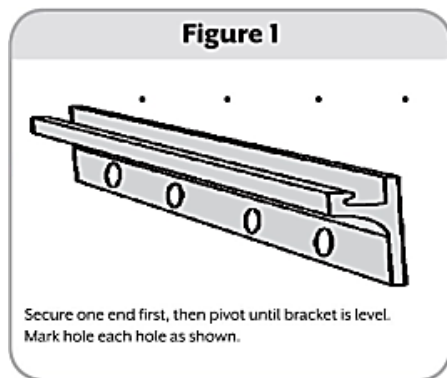
Parts Included:

- (1) Mirror (A)
- (1) Metal Cleat (B)
- (4) Dry Wall Anchors (C)
- (4) Screws (D)
- (1) T-Screw (E)

- Do not throw away packaging materials until assembly is complete
- Stud mounting is recommended. Use proper hardware for your wall type, these instructions are for drywall. When in doubt, consult your local hardware store. For your safety, installation by two people is recommended.
- This mirror can be mounted vertically and horizontally.

Assembly:

1. Position mirror in desired location on wall.
2. Position metal cleat (B) in desired location and mark location of each dry wall anchor (C) installation, as shown in Figure 1.
3. Remove metal cleat (B) from the wall.
4. Drill 5/16" pilot holes in wall. Position dry wall anchor (C) over hole and gently tap anchor into wall until cap prongs are embedded in wall and cap is snug against surface. Turn screw (D) clockwise pressing firmly to prevent anchor from rotating. Tighten screw until resistance is felt, this will fully expand the anchor. Turn screw counter clockwise to remove screw. Anchor will remain embedded in wall.
5. Place metal cleat (B) over anchors and insert; then tighten all screws.
6. At bottom of wall, mark for T-Screw (E) accordingly and tighten the same till threading on T-Screw is inserted in the wall.
7. Hang mirror on wall bracket, as shown in Figure 2.
8. Now, align Bottom T-Screw on wall with Bracket, as shown in Figure 3 and use wrench clockwise on T-Screw so that it locks mirror from moving forward.



CARE INSTRUCTIONS

Wipe with a soft, dry cloth. To protect finish, avoid the use of chemicals and household cleaners.