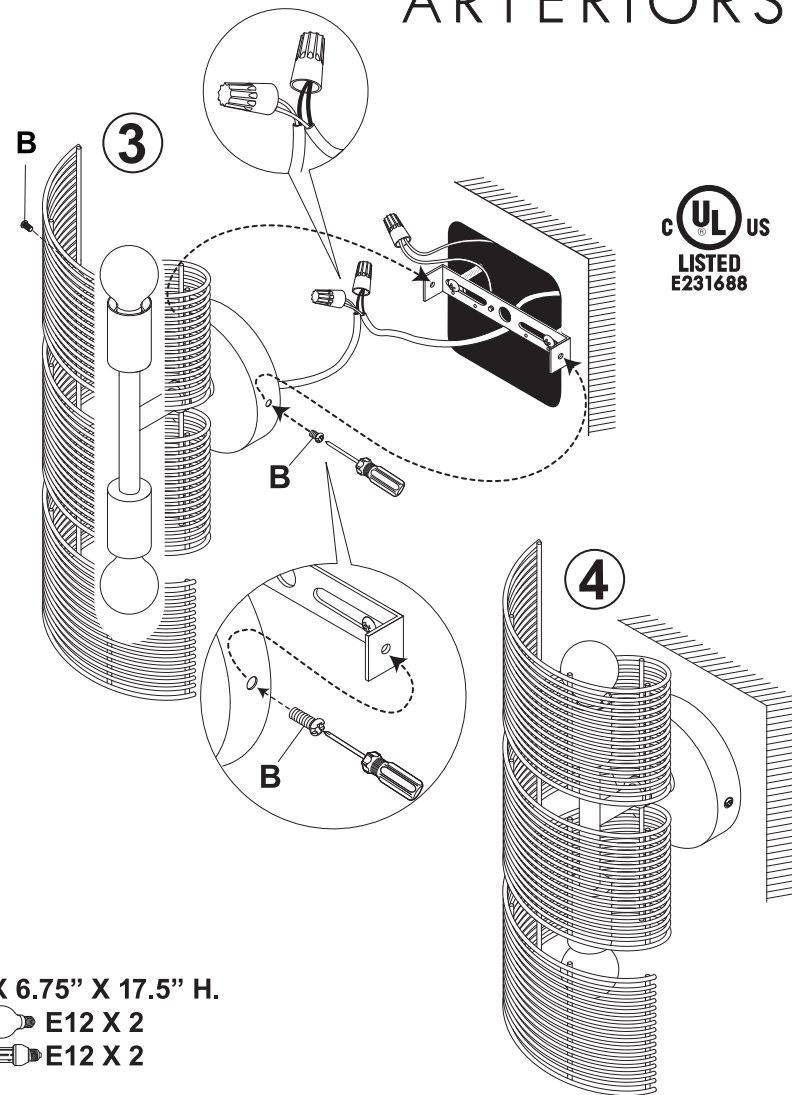
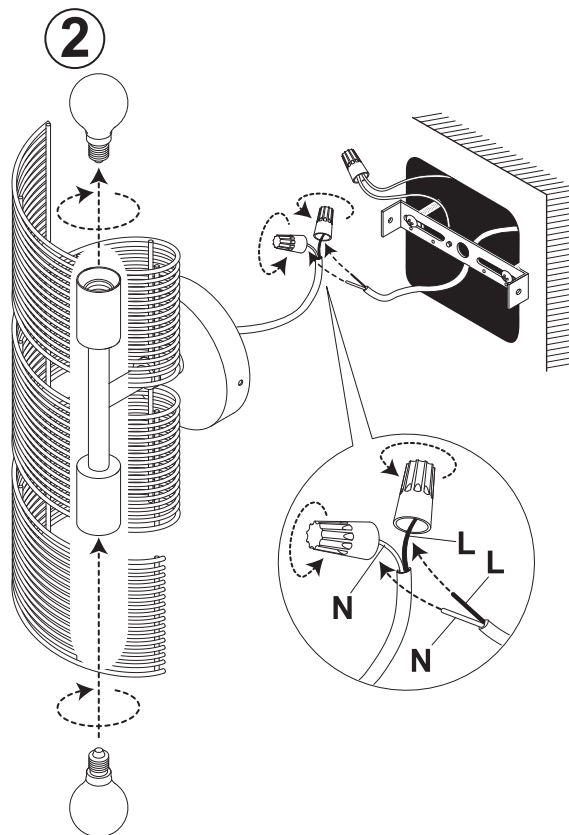
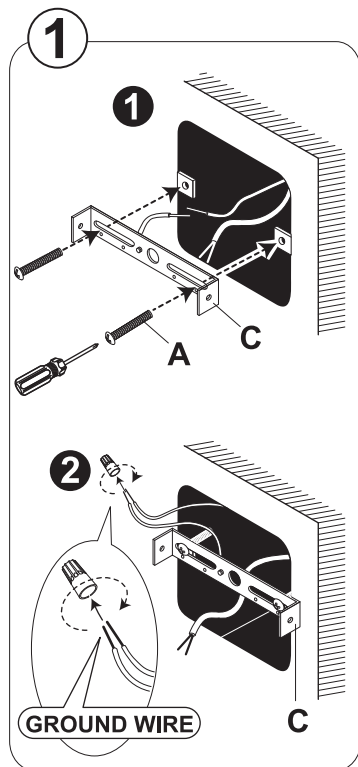


ASSEMBLY INSTRUCTION

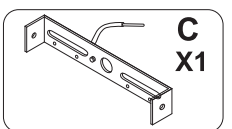
DWS02 BURI MIDRIB RIBBON SCONCE

ARTERIOIRS



HARD WARE LIST

| | |
|----------------|----------------|
| A X2 | B X2 |
| SCREW | |



SIZE: 5.5" X 6.75" X 17.5" H.
 MAX 40W, E12 X 2
 MAX 9W, E12 X 2

PS-REEG-UL