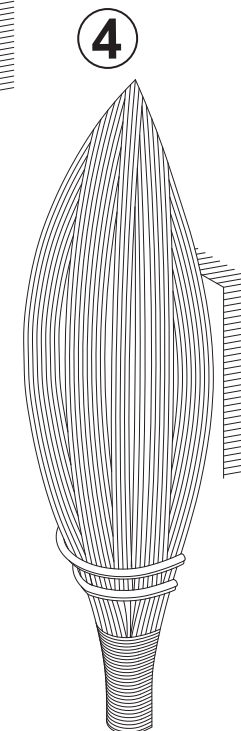
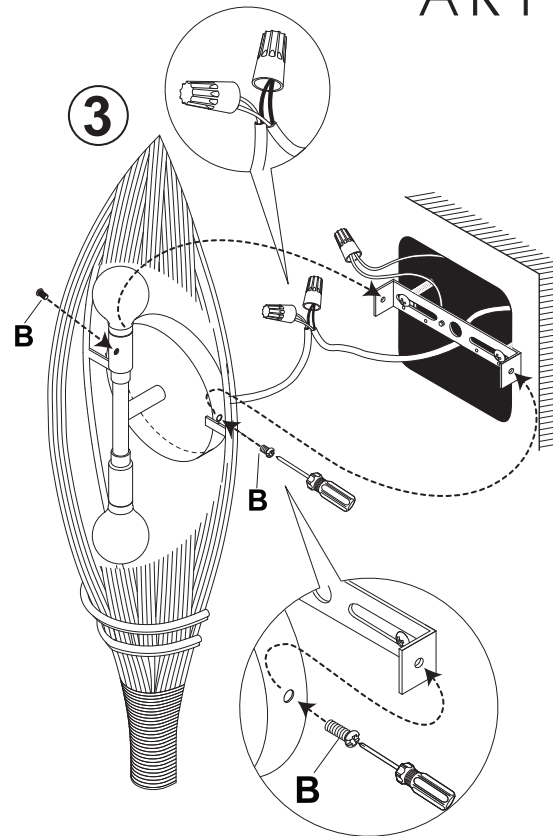
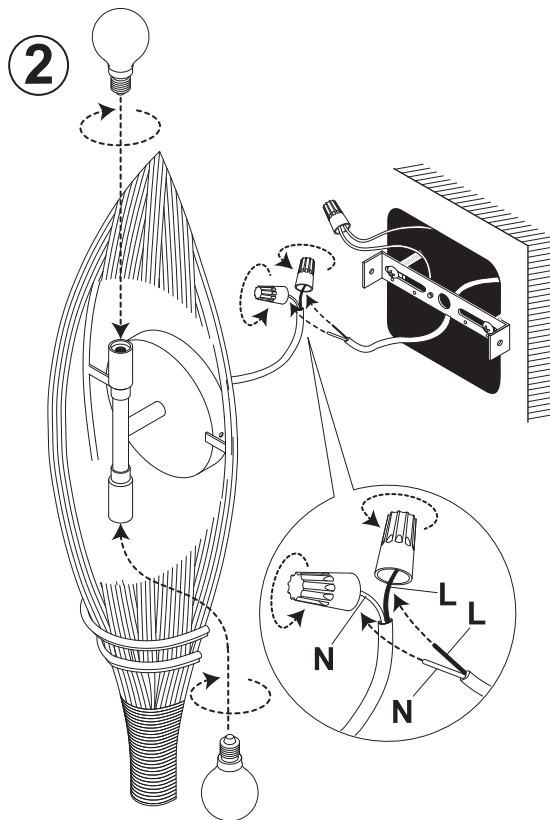
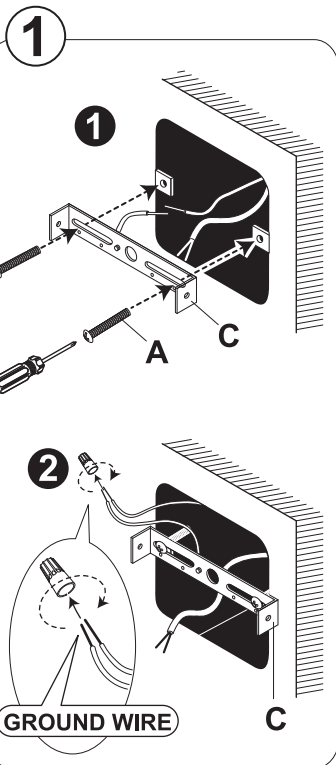


ASSEMBLY INSTRUCTION

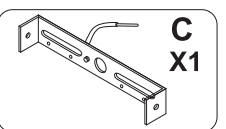
DWS01 RATTAN BOAT SCONCE

ARTERIORS



HARD WARE LIST

A X2	B X2
SCREW	



SIZE: 6.5" X 4" X 24" H.
 MAX 40W, E12 X 2
 MAX 9W, E12 X 2

PS-REED-UL